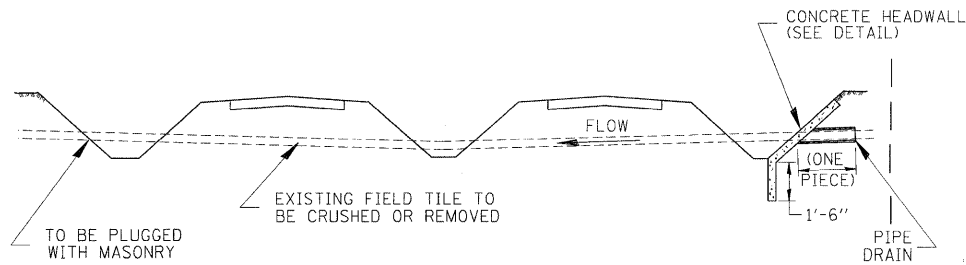


ALTERNATE MATERIALS FOR WALLS	T
PRECAST REINFORCED CONCRETE RISERS	4"
CONCRETE MASONRY UNIT	5"
MONOLITHIC CONCRETE	6"
BUILDING BRICK, GRADE SW FROM CLAY OR SHALE	8"
CONCRETE BUILDING BRICK, GRADE A	8"



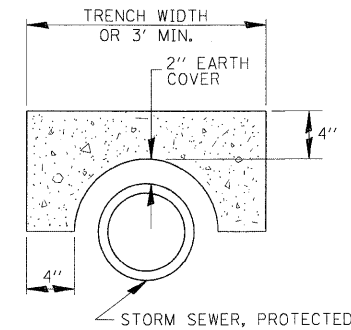
DETAIL A

NO SCALE

IF A 4" COVER CAN NOT BE PROVIDED A PAVED DITCH SHALL BE CONSTRUCTED AS SHOWN IN DETAIL C.

NOTES

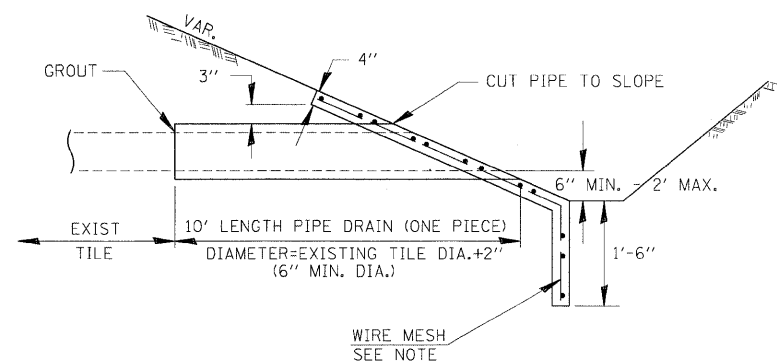
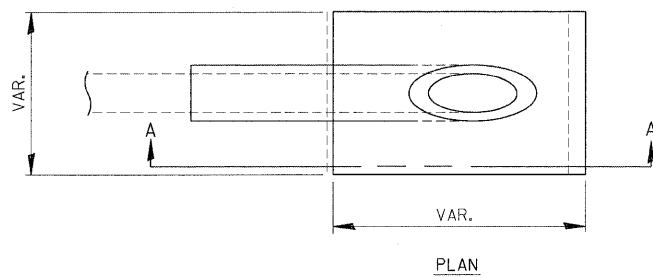
1. WIDTH OF CONCRETE SLAB SHALL BE THE SAME AS THE TRENCH WIDTH IN ACCORDANCE WITH SECTION 550 OF THE STD. SPECIFICATIONS, OR 3' MIN.
2. CONCRETE FOR SLAB, HEADWALL AND PAVED DITCH SHALL BE PAID FOR AT THE CONTRACT UNIT PRICE PER CUBIC YARD FOR MISCELLANEOUS CONCRETE."
3. COST OF FURNISHING AND INSTALLING WIRE MESH SHALL BE INCLUDED IN THE CONTRACT UNIT PRICE PER CUBIC YARD FOR MISCELLANEOUS CONCRETE. WIRE MESH TO WEIGH NOT LESS THAN 58# PER 100 SQ. FT.



NOTES

1. THE CONTRACT UNIT PRICE FOR FIELD TILE JUNCTION VAULT SHALL INCLUDE THE COST OF FURNISHING AND PLACING THE FRAME AND GRATE OR PRECAST CONCRETE LID AND WHEN REQUIRED, THE SAND CUSHION.
2. ALL FIELD TILE JUNCTION VAULTS SHALL BE 2'-0" IN DIAMETER UNLESS OTHERWISE NOTED ON THE PLANS.

FIELD TILE REPLACEMENT

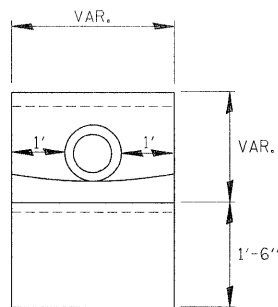


SECTION A-A

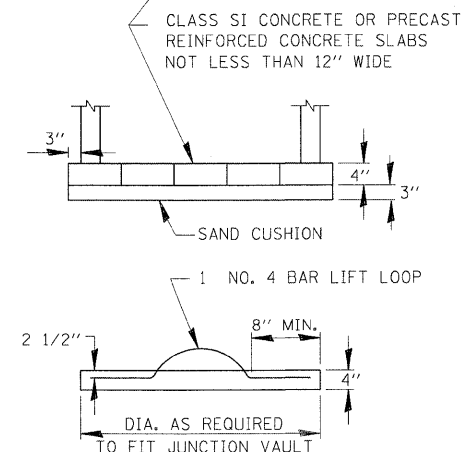
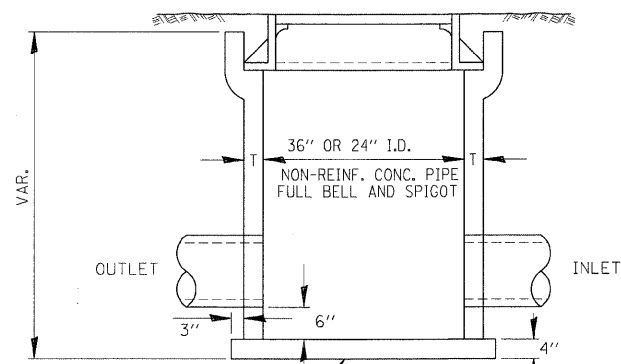
CLASS SI CONCRETE HEADWALLS

NOTES

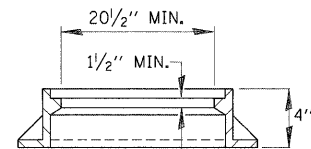
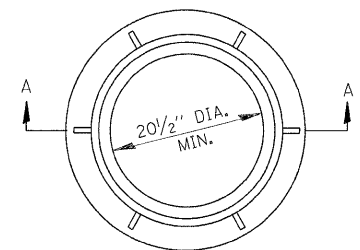
1. ANY STORM SEWER SPECIAL OR BACKSLOPE DRAIN OUTLET INTO A DITCH SHALL HAVE A HEADWALL BUILT IN ACCORDANCE WITH THIS DETAIL.
2. COST OF FURNISHING AND INSTALLING WIRE MESH SHALL BE INCLUDED IN THE CONTRACT UNIT PRICE PER CUBIC YARD FOR MISCELLANEOUS CONCRETE. WIRE MESH TO WEIGH NOT LESS THAN 58# PER 100 SQ. FT.



END VIEW



FIELD TILE JUNCTION VAULT



SECTION A-A

FILE NAME =	USER NAME = .USER.	DESIGNED - CGC	REVISED -
\\1812\cadd\sheets\4366408-sht-detail.dgn		DRAWN - CGC	REVISED -
PLOT SCALE = #SCALE#		CHECKED - AKK	REVISED -
PLOT DATE = 5/19/2010		DATE - 5/19/2010	REVISED -

STATE OF ILLINOIS
DEPARTMENT OF TRANSPORTATION

DISTRICT DETAILS

SCALE: AS NOTED SHEET NO. 157 OF 351 SHEETS STA. TO STA.

• FAI 80 & FAS 297 / FAU 392				
F.A.U. RTE.	SECTION	COUNTY	TOTAL SHEETS	SHEET NO.
•	(32,47-4) Hbk-4 & G(N)	GRUNDY	351	157
				CONTRACT NO. 66408
ILLINOIS FED. AID PROJECT				

611-1