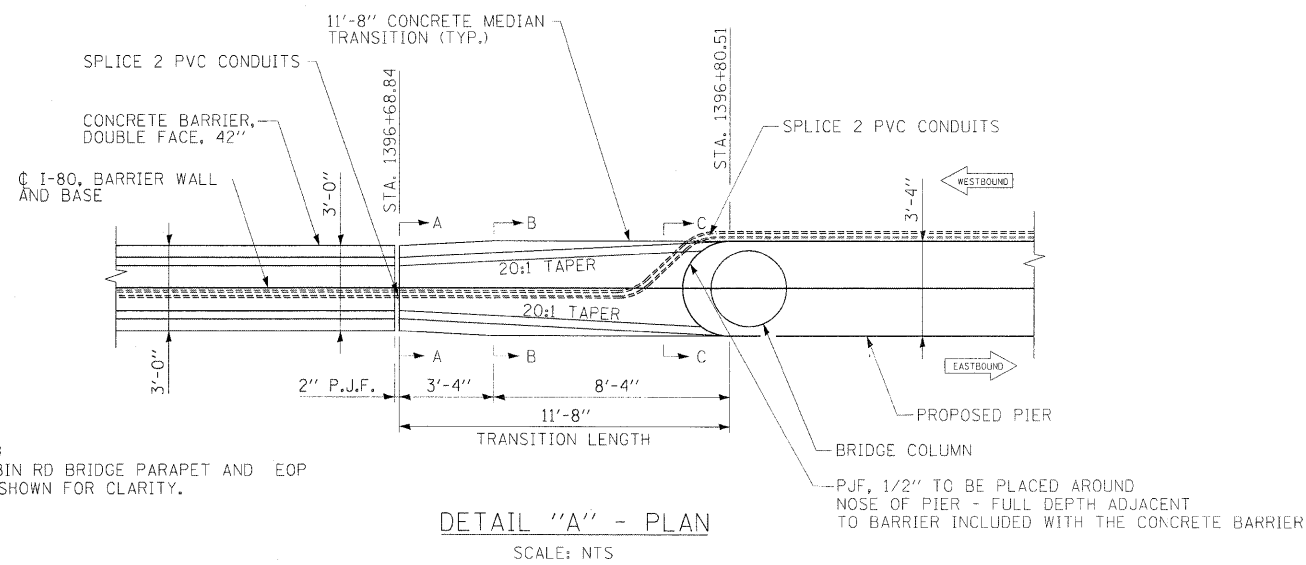
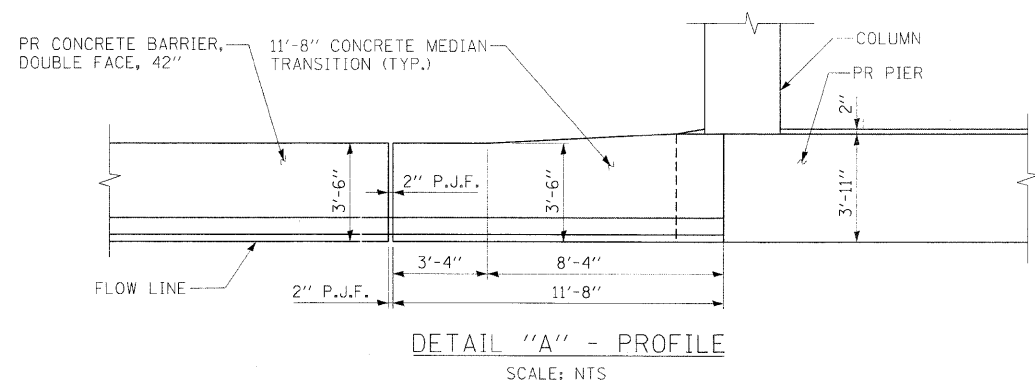


CONCRETE MEDIAN BARRIER TRANSITION AT BRIDGE PIERS - PLAN
SCALE: 1"=40'

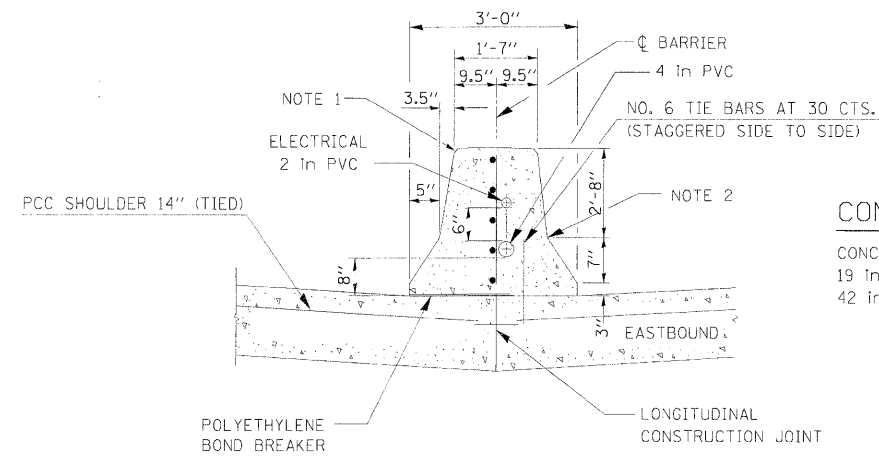


NOTE:
BRISBIN RD BRIDGE PARAPET AND EOP
NOT SHOWN FOR CLARITY.

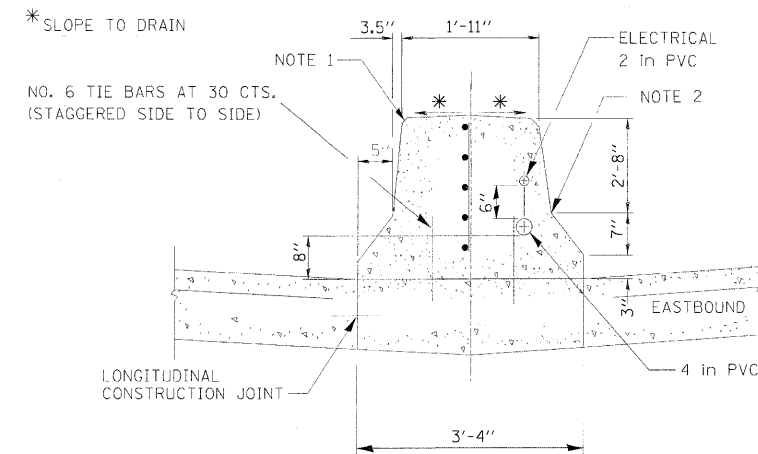
DETAIL "A" - PLAN
SCALE: NTS



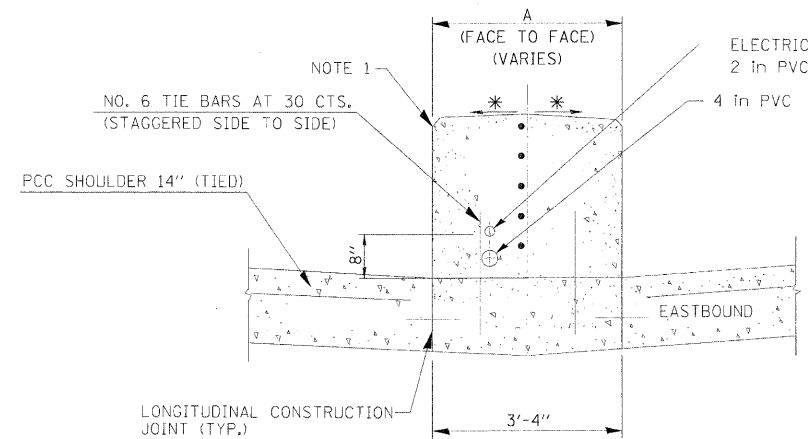
DETAIL "A" - PROFILE
SCALE: NTS



SECT. A-A
CONCRETE BARRIER
CONCRETE BARRIER, DOUBLE FACE,
19 in TOP WIDTH,
42 in HEIGHT

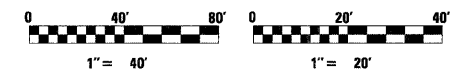


SECT. B-B
CONCRETE BARRIER
CONCRETE BARRIER, DOUBLE FACED
23 in TOP WIDTH
3'-7.7" HEIGHT



SECT. C-C
CONCRETE BARRIER

NOTE
1 - 1 in RADIUS
2 - 10 in RADIUS



FILE NAME =	USER NAME = .USER.	DESIGNED - CGC	REVISED -
\\c:\1812\cadd\sheets\0366408-sht-detail.dgn		DRAWN - CGC	REVISED -
PLOT SCALE = #SCALE#		CHECKED - AKK	REVISED -
PLOT DATE = 5/19/2010		DATE - 5/19/2010	REVISED -

STATE OF ILLINOIS
DEPARTMENT OF TRANSPORTATION

DISTRICT DETAILS

SCALE: AS NOTED SHEET NO. 165 OF 351 SHEETS STA. TO STA.

FAI 80 & FAS 297 / FAU 392

F.A.U. RTE.	SECTION	COUNTY	TOTAL SHEETS	SHEET NO.
	(32,47-4) HBK-4 & G(N)	GRUNDY	351	165
				CONTRACT NO. 66408
ILLINOIS FED. AID PROJECT				