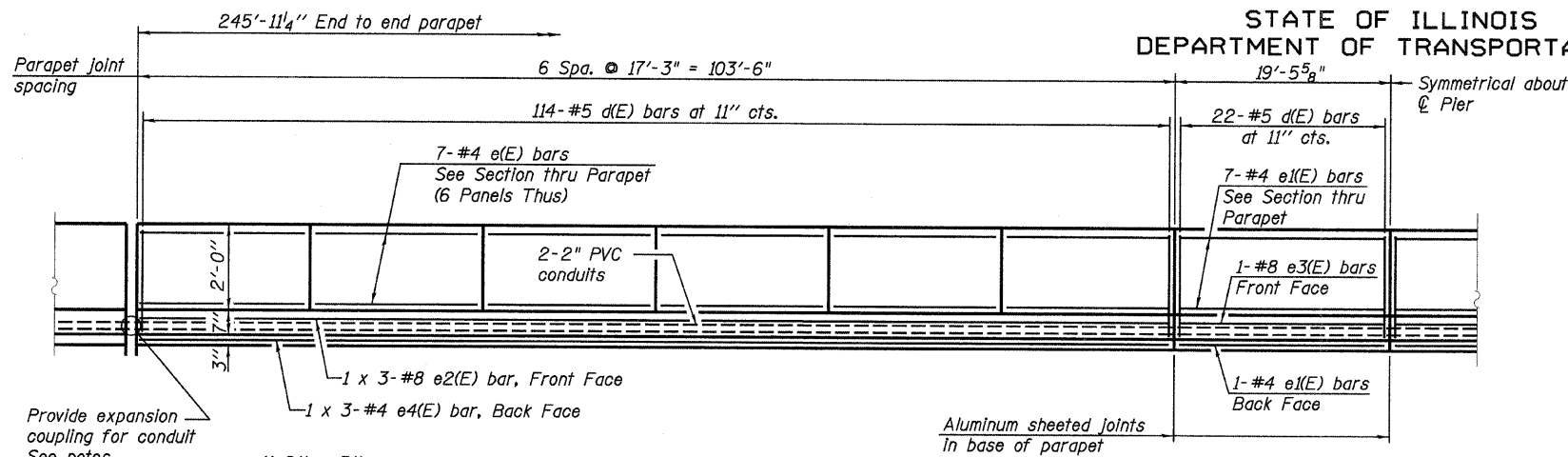
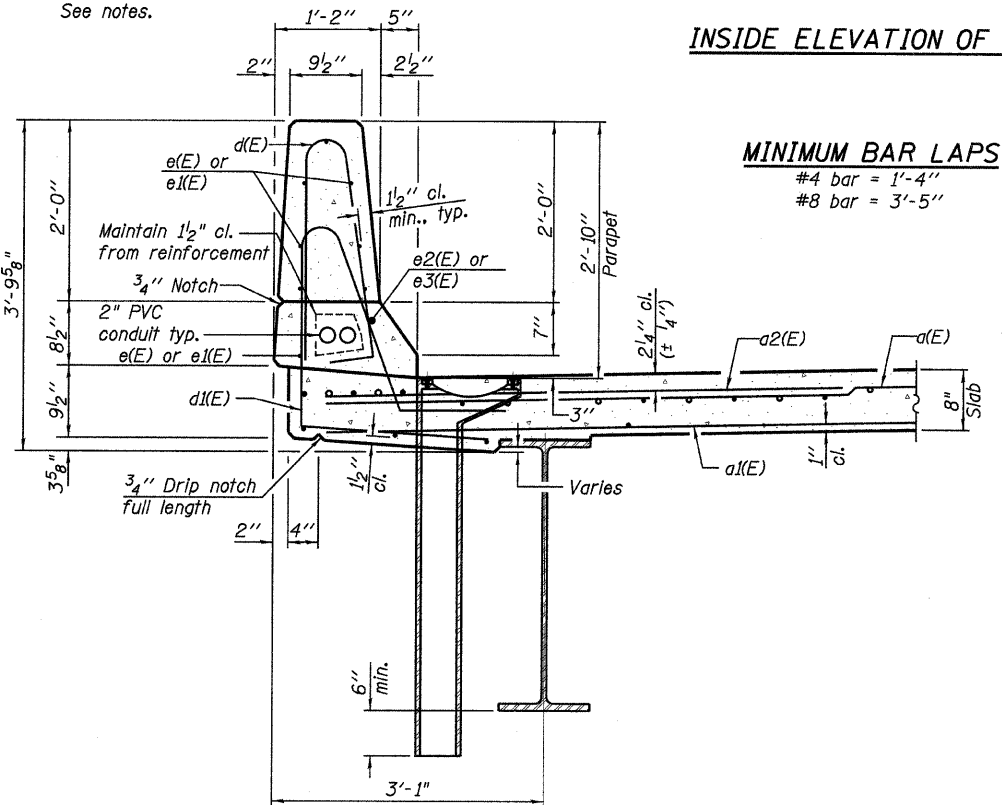


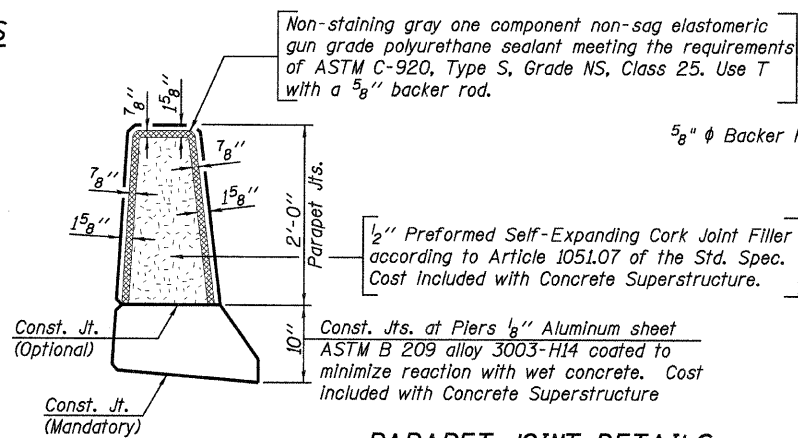
STATE OF ILLINOIS
DEPARTMENT OF TRANSPORTATION



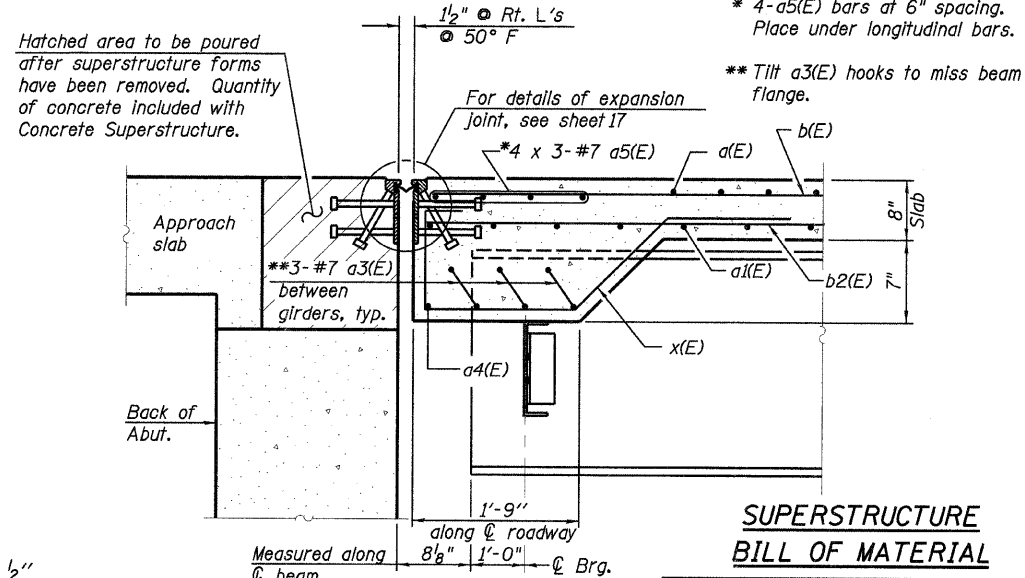
INSIDE ELEVATION OF PARAPET



MINIMUM BAR LAPS



PARAPET JOINT DETAILS



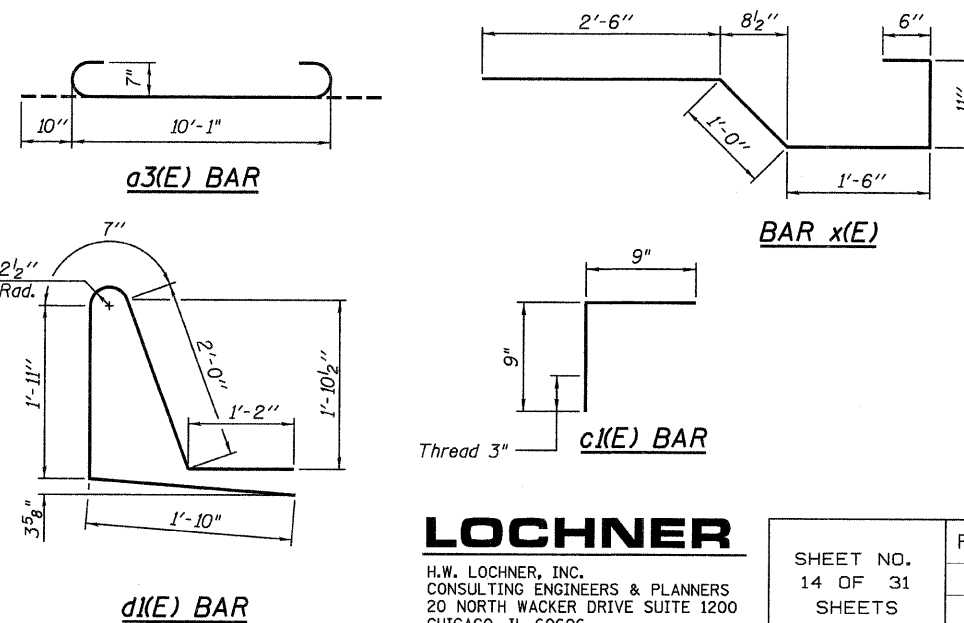
SECTION A-A

SUPERSTRUCTURE
BILL OF MATERIAL

Bar	No.	Size	Length	Shape	
a(E)	1617	#5	28'-4"	—	
a1(E)	1392	#5	21'-9"	—	
a2(E)	1078	#6	6'-0"	—	
a3(E)	54	#7	11'-9"	—	
a4(E)	6	#7	35'-7"	—	
a5(E)	24	#7	36'-6"	—	
a6(E)	32	#5	1'-6"	—	
b(E)	672	#5	32'-8"	—	
b1(E)	243	#6	29'-7"	—	
b2(E)	621	#5	29'-3"	—	
b3(E)	56	#5	31'-8"	—	
c(E)	239	#5	5'-4"	—	
c1(E)	486	#5	1'-6"	—	
c2(E)	4	#5	6'-4"	—	
d(E)	544	#5	5'-7"	—	
d1(E)	538	#5	7'-6"	—	
e(E)	168	#4	17'-0"	—	
e1(E)	32	#4	19'-2"	—	
e2(E)	12	#8	36'-9"	—	
e3(E)	4	#8	19'-2"	—	
e4(E)	12	#4	35'-4"	—	
x(E)	138	#5	6'-5"	—	
Reinforcement Bars, Epoxy Coated				Pound	161,540
Concrete Superstructure				Cu. Yd.	624.9

Notes
Bars indicated thus 1 x 3-#8 etc. indicates 1 line of bars with 3 lengths per line.
Provide expansion & displacement coupling per Section 812 of the Standard Specifications for embedded conduits. Cost included with Conduit Embedded Structure, 2" Dia., PVC.

SUPERSTRUCTURE DETAILS II
STRUCTURE NO. 032-0115



LOCHNER
H.W. LOCHNER, INC.
CONSULTING ENGINEERS & PLANNERS
20 NORTH WACKER DRIVE SUITE 1200
CHICAGO, IL 60606

SHEET NO.	RTE.	SECTION	COUNTY	TOTAL SHEETS	SHEET NO.
14 OF 31 SHEETS	*	(32, 47-4) HBK-4 & (G)N	GRUNDY	351	296
CONTRACT NO. 66408					
FED. ROAD DIST. NO. ILLINOIS FED. AID PROJECT					

* FAI 80 & FAS 297 / FAU 392

T:\2608-br\is\struct\dgn\0320058-66408-014-SD02.dgn

DESIGNED - BJN
CHECKED - CMM
DRAWN - GJS
CHECKED - CMM