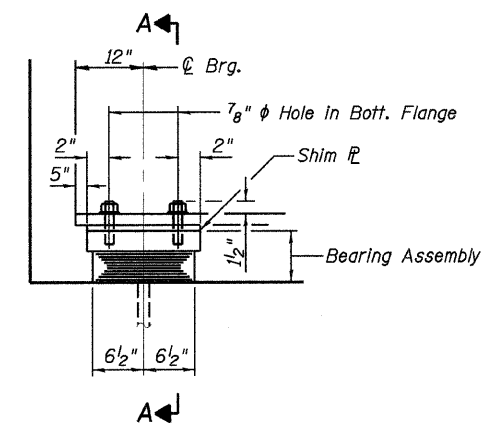
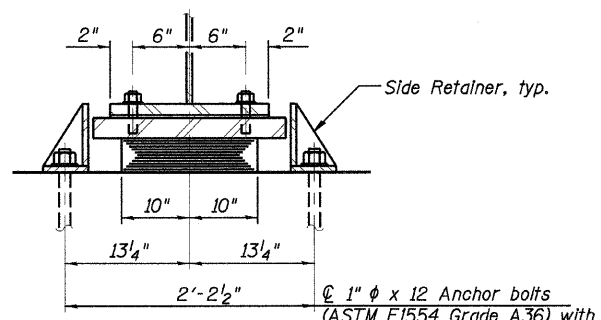


STATE OF ILLINOIS
DEPARTMENT OF TRANSPORTATION

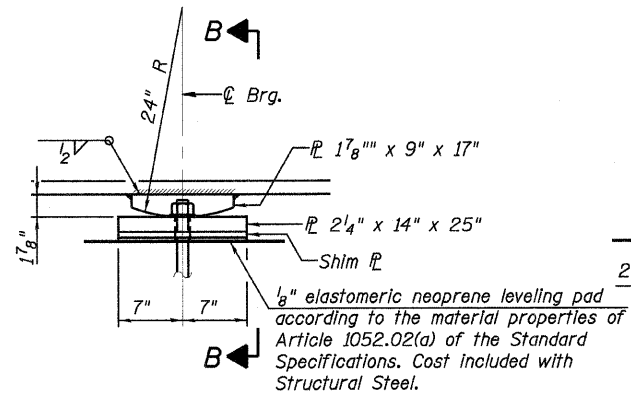


ELEVATION AT ABUT.



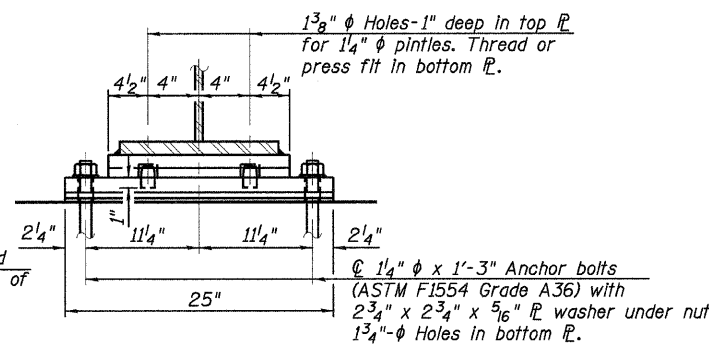
SECTION A-A

4 - 1" ϕ x 12 Anchor bolts
(ASTM F1554 Grade A36) with
2 1/4" x 2 1/4" x 5/16" \mathbb{R} washer
under nut



ELEVATION AT PIER

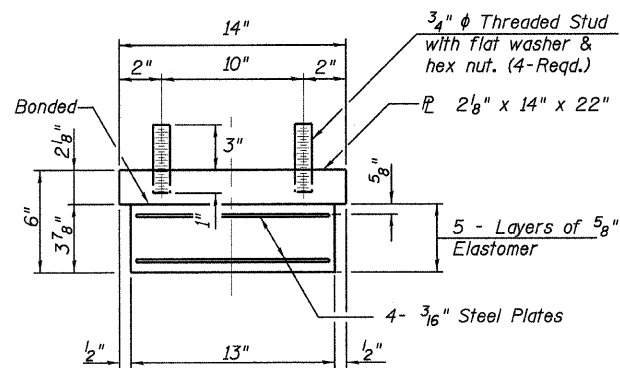
FIXED BEARING



SECTION B-B

1 3/8" ϕ Holes-1" deep in top \mathbb{R}
for 1 1/4" ϕ pintles. Thread or
press fit in bottom \mathbb{R} .
4 1/2" 4" 4" 4 1/2"
2 1/4" 11 1/4" 11 1/4" 2 1/4"
25"
4 - 1 1/4" ϕ x 1'-3" Anchor bolts
(ASTM F1554 Grade A36) with
2 3/4" x 2 3/4" x 5/16" \mathbb{R} washer under nut
1 3/4" ϕ Holes in bottom \mathbb{R} .

TYPE I ELASTOMERIC EXP. BRG.

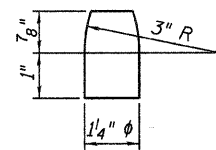


BEARING ASSEMBLY

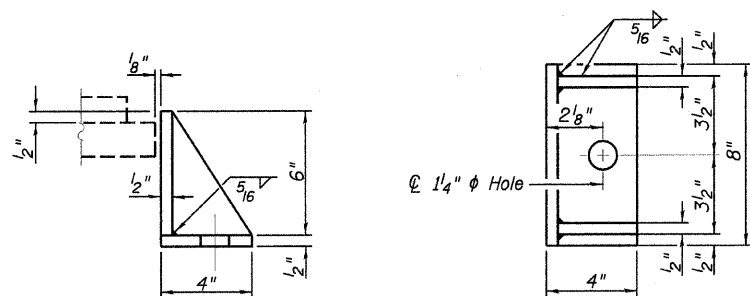
Note
Shim plates shall not be placed
under Bearing Assembly.

Notes

- Anchor bolts shall be ASTM F1554 all-thread (or an Engineer-approved alternate material) of the grade(s) and diameter(s) specified. ASTM A307 Grade C anchor bolts may be used in lieu of ASTM F1554 Grade 36 (Fy=36ksi). The corresponding specified grade of AASHTO M314 anchor bolts may be used in lieu of ASTM F1554.
- Anchor bolts at fixed bearings may be either cast in place or installed in holes drilled after the supported member is in place.
- Anchor bolts for side retainers may be cast in place or installed in holes drilled before or after members are in place.
- Drilled and set anchor bolts shall be installed according to Article 521.06 of the Standard Specifications.
- Side retainers and other steel members required for the bearing assembly shall be included in the cost of Elastomeric Bearing Assembly, Type I.
- Two 1/8" adjusting shims shall be provided for each bearing in addition to all other plates or shims and placed as shown on bearing details.
- The structural steel plates of the Bearing Assembly shall conform to the requirements of AASHTO M 270 Grade 50.



PINTLE



SIDE RETAINER

Equivalent rolled angle with stiffeners
will be allowed in lieu of welded plates.

DESIGNED - MWM
CHECKED - BJN
DRAWN - MWM
CHECKED - BJN

BILL OF MATERIAL

Item	Unit	Total
Elastomeric Bearing Assembly, Type I	Each	20
Anchor Bolts, 1"	Each	40
Anchor Bolts, 1 1/4"	Each	20

BEARING DETAILS
STRUCTURE NO. 032-0115

LOCHNER

H.W. LOCHNER, INC.
CONSULTING ENGINEERS & PLANNERS
20 NORTH WACKER DRIVE SUITE 1200
CHICAGO, IL 60606

SHEET NO.	RTE.	SECTION	COUNTY	TOTAL SHEETS	SHEET NO.
21 OF 31 SHEETS	*	(32, 47-4) HKB-4 & (G)N	GRUNDY	351	303
CONTRACT NO. 66408					
FED. ROAD DIST. NO. - ILLINOIS FED. AID PROJECT					

* FAI 80 & FAS 297 / FAU 392