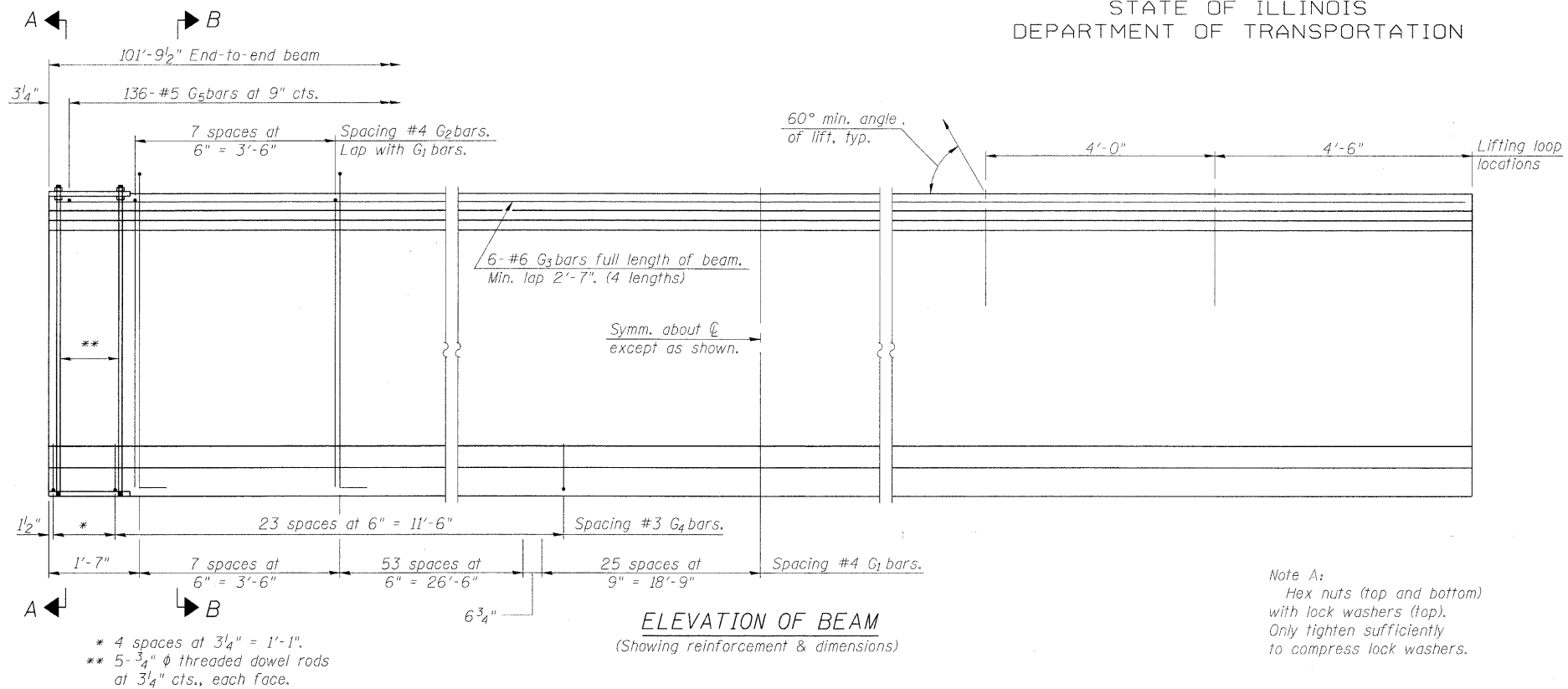
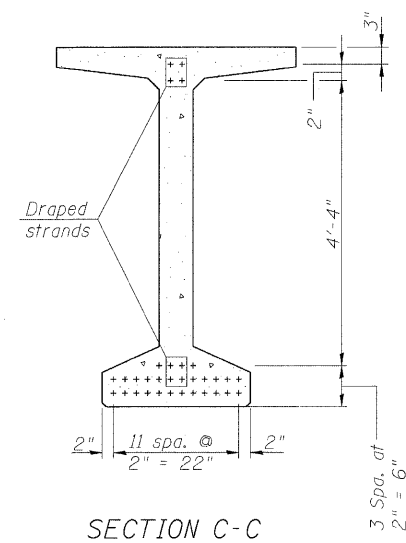
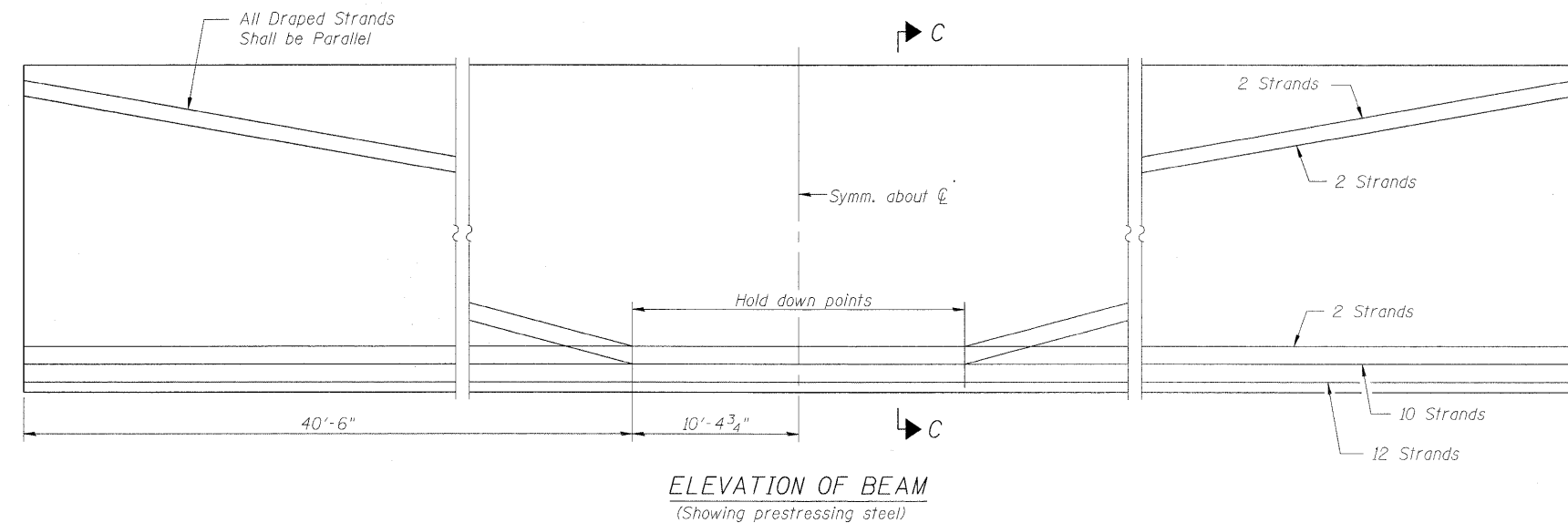
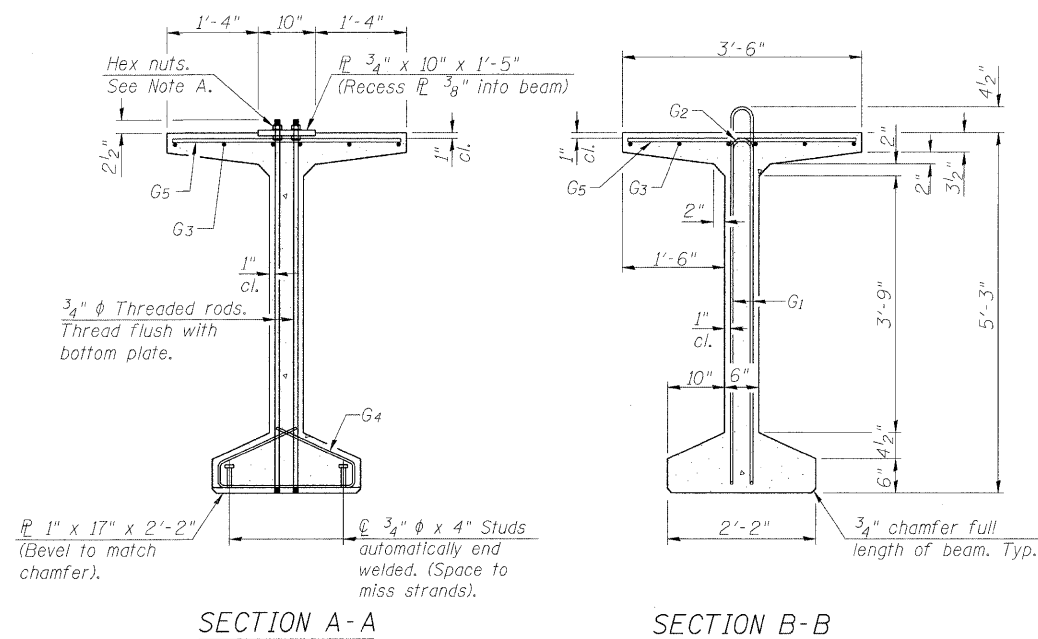


STATE OF ILLINOIS
DEPARTMENT OF TRANSPORTATION



Note A:
Hex nuts (top and bottom) with lock washers (top). Only tighten sufficiently to compress lock washers.



***BAR LIST
ONE BEAM ONLY

Bar	No.	Size	Length	Shape
G1	173	#4	11'-11"	∩ L
G2	16	#4	10'-2"	∩
G3	24	#6	27'-4"	—
G4	56	#3	4'-11"	∩
G5	136	#5	3'-4"	—

***For information only

Notes:
See sheet 13 for additional details and Bill of Material.
Required release strength, f'cl, shall be 5,000 psi.

63" PPC BULB T-BEAM
STRUCTURE NO. 032-0118

DESIGNED - LJB
CHECKED - CMM
DRAWN - GJS
CHECKED - CMM

LOCHNER
H.W. LOCHNER, INC.
CONSULTING ENGINEERS & PLANNERS
20 NORTH WACKER DRIVE SUITE 1200
CHICAGO, IL 60606

SHEET NO. 12 OF 19 SHEETS	RTE.	SECTION	COUNTY	TOTAL SHEETS	SHEET NO.
	*	(32,47-4) HBK-4 & G(N)	GRUNDY	351	344
CONTRACT NO. 66408					
FED. ROAD DIST. NO. ILLINOIS FED. AID PROJECT					

* FAI 80 & FAS 297 / FAU 392