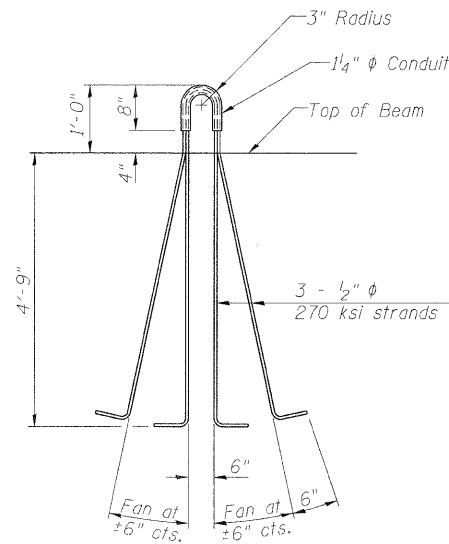


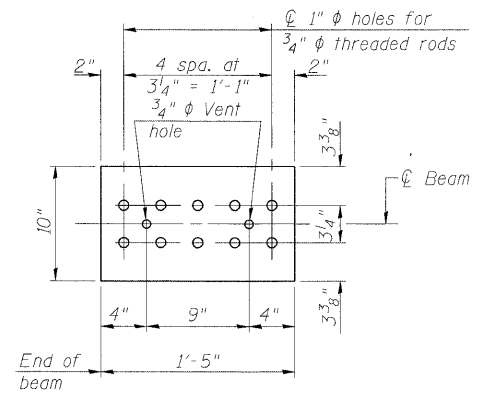
STATE OF ILLINOIS
DEPARTMENT OF TRANSPORTATION

NOTES

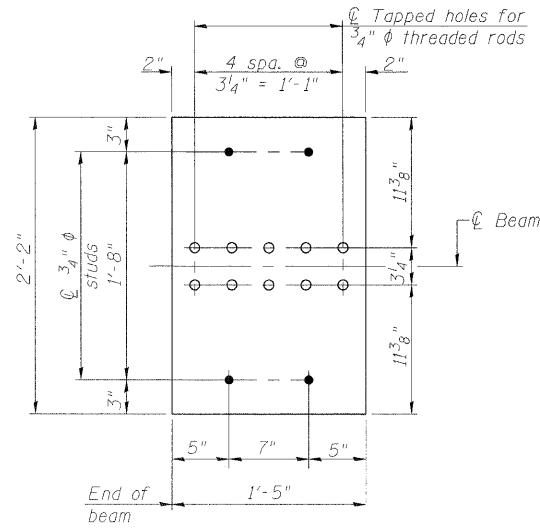
Inserts for $\frac{3}{4}$ " ϕ threaded dowel rods, when specified, are to be two strut, ferrule type for interior beams and single ferrule, flared loop type for exterior beams.
 Prestressing steel shall be uncoated high strength, low relaxation 7-wire strand, Grade 270. The nominal diameter shall be $\frac{1}{2}$ " and the nominal cross-sectional area shall be 0.153 sq. in.
 Reinforcement bars shall conform to ASTM A 706, Grade 60. (See Special Provisions).
 A minimum $2\frac{1}{2}$ " ϕ lifting pin shall be used to engage the lifting loops during handling.
 The top and bottom plates shall be AASHTO M270 Grade 50.
 The bottom plates and studs shall be galvanized according to AASHTO M111.
 Threaded rods shall be ASTM F 1554 Grade 55.



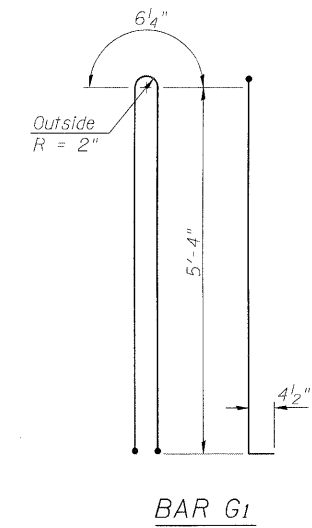
LIFTING LOOP DETAIL



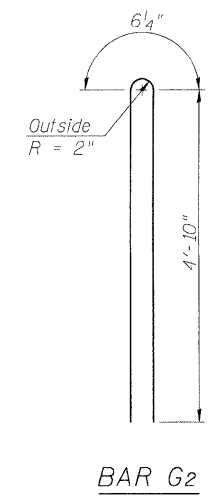
TOP PLATE



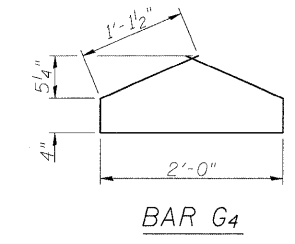
BOTTOM PLATE



BAR G1



BAR G2



BAR G4

BILL OF MATERIAL

Item	Unit	Total
Furnishing and Erecting Precast Prestressed Concrete Bulb T-Beams, 63"	Ft.	611

63" PPC BULB T-BEAM DETAILS
STRUCTURE NO. 032-0118

DESIGNED - LJB
CHECKED - CMM
DRAWN - GJS
CHECKED - CMM

LOCHNER
 H.W. LOCHNER, INC.
 CONSULTING ENGINEERS & PLANNERS
 20 NORTH WACKER DRIVE SUITE 1200
 CHICAGO, IL 60606

SHEET NO. 13 OF 19 SHEETS	RTE.	SECTION	COUNTY	TOTAL SHEETS	SHEET NO.
	*	(32,47-4) HBK-4 & G(N)	GRUNDY	351	345
	CONTRACT NO. 66408				
FED. ROAD DIST. NO.		ILLINOIS FED. AID PROJECT			

* FAI 80 & FAS 297 / FAU 392

t:\1812\struct\dgn\032018-66408-013-PC02.dgn