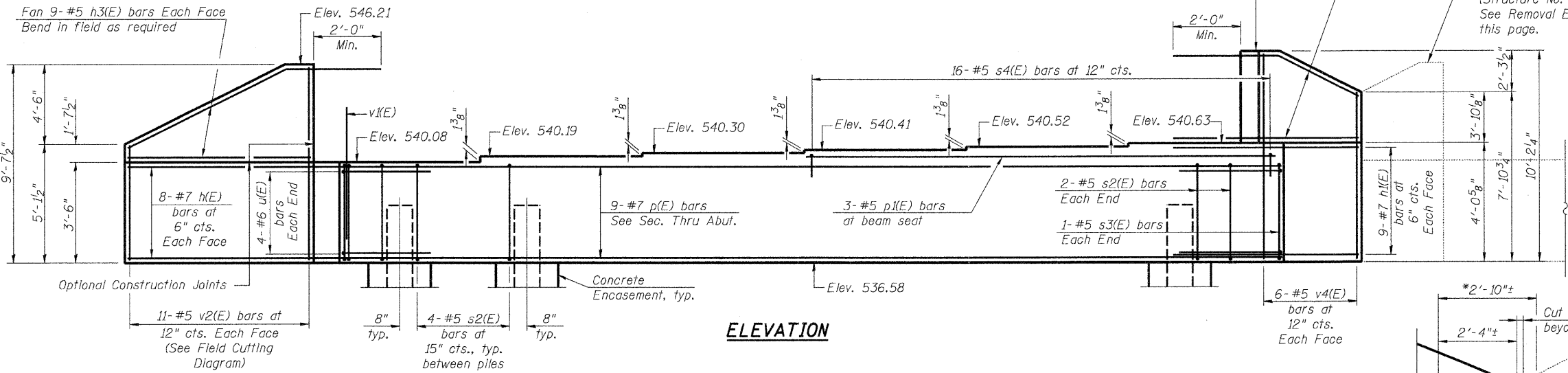


STATE OF ILLINOIS
DEPARTMENT OF TRANSPORTATION

Notes:
Pour steps monolithically with cap.

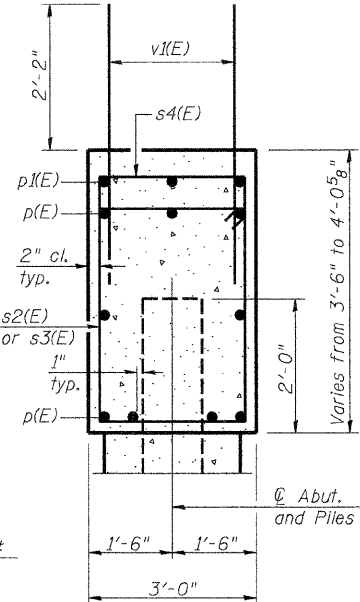
Fan 9-#5 h3(E) bars Each Face
Bend in field as required



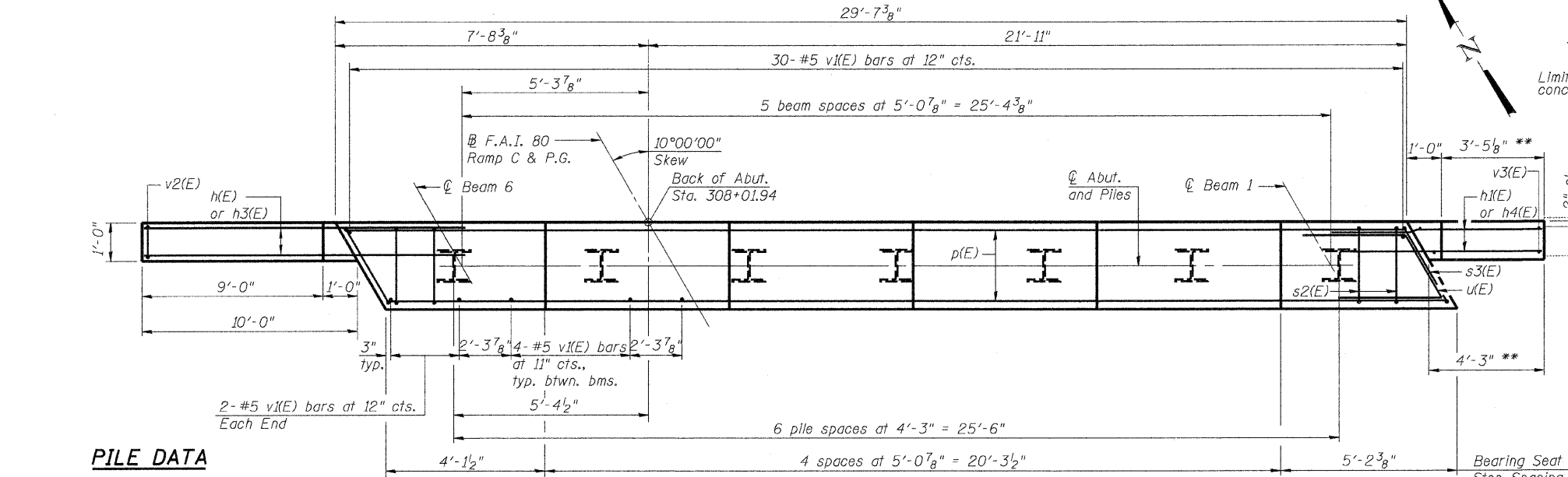
ELEVATION

Fan 9-#5 h4(E) bars Each Face
Bend in field as required

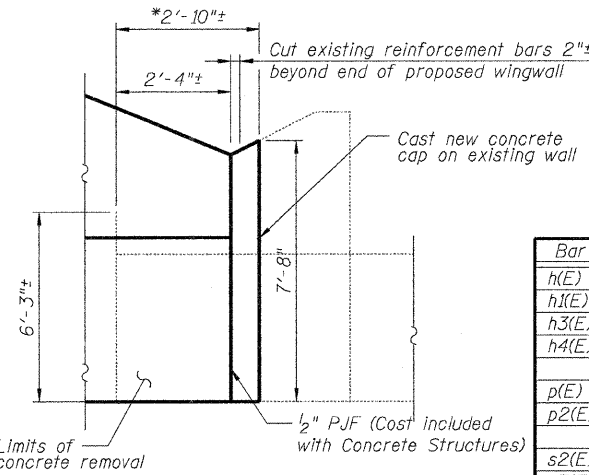
Existing wingwall
(Structure No. 032-0104)
See Removal Elevation
this page.



SEC. THRU ABUT.



PLAN



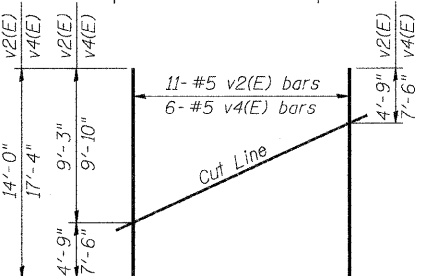
REMOVAL ELEVATION

BILL OF MATERIAL

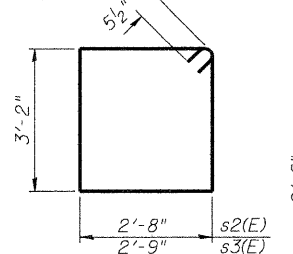
Bar	No.	Size	Length	Shape
h(E)	16	#7	12'-0"	—
h1(E)	18	#7	6'-3"	—
h3(E)	18	#5	13'-1"	—
h4(E)	18	#5	7'-8"	—
p(E)	9	#7	29'-3"	—
p2(E)	3	#5	14'-8"	—
s2(E)	28	#5	12'-7"	□
s3(E)	2	#5	12'-9"	□
s4(E)	16	#5	8'-0"	□
u(E)	8	#6	9'-11"	∩
v1(E)	54	#5	4'-4"	—
v2(E)	11	#5	14'-0"	—
v4(E)	6	#5	17'-4"	—
Structure Excavation			Cu. Yd.	8
Concrete Structures			Cu. Yd.	16.8
Reinforcement Bars, Epoxy Coated			Pound	2,760
Furnishing Steel Piles HP12x53			Foot	112
Driving Piles			Foot	112
Pile Shoes			Each	7
Concrete Encasement			Cu. Yd.	2.4
Concrete Removal			Cu. Yd.	0.8

For details of Bar Splicers, see sheet 17 of 19.
For details of piles and Concrete Encasement, see sheet 16 of 19.

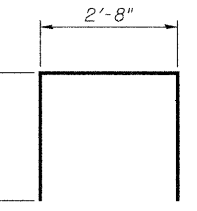
PILE DATA
Type: Steel HP12x53 with Pile Shoes
Nominal Required Bearing: 419 kips
Factored Resistance Available: 210 kips
Est. Length: 16 ft
No. Production Piles: 7
No. Test Piles: 0



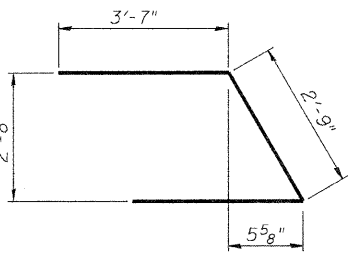
FIELD CUTTING DIAGRAM



BARS s2(E) & s3(E)



BAR s4(E)



BAR u(E)

LOCHNER
H.W. LOCHNER, INC.
CONSULTING ENGINEERS & PLANNERS
20 NORTH WACKER DRIVE SUITE 1200
CHICAGO, IL 60606

EAST ABUTMENT PLAN & ELEVATION
STRUCTURE NO. 032-0118

DESIGNED - BJJ
CHECKED - CMM
DRAWN - GJS
CHECKED - CMM

SHEET NO. 15 OF 19 SHEETS	RTE.	SECTION	COUNTY	TOTAL SHEETS	SHEET NO.
	*	(32,47-4) HBK-4 & G(N)	GRUNDY	351	347
FED. ROAD DIST. NO.			ILLINOIS FED. AID PROJECT	CONTRACT NO. 66408	

T:\182\Struct\dgn\0320118-66408-015-EA01.dgn