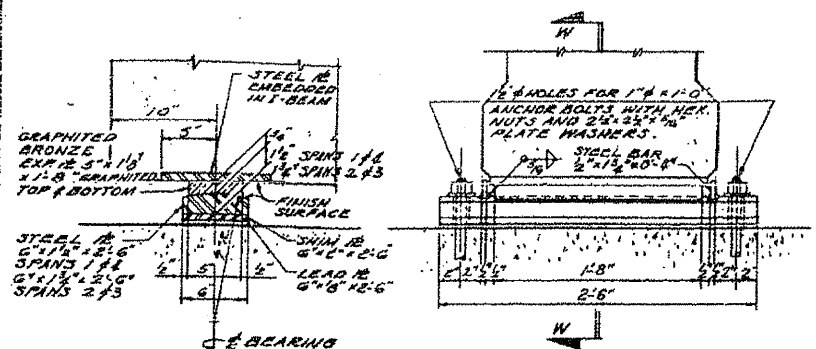
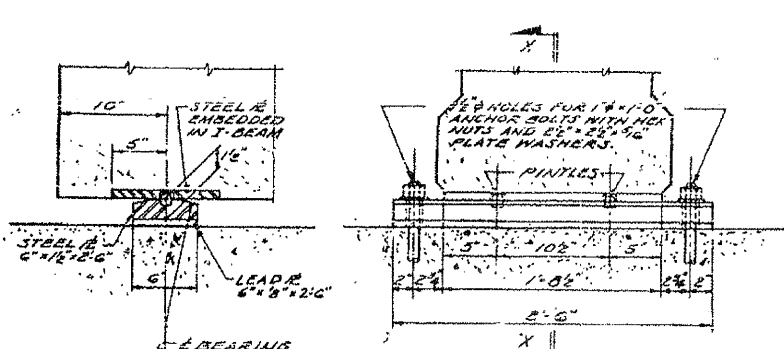


PROJECT NO.	SECTION	TOWN	SHEETS	SHEET NO.
F.A. 130132, 47-4	GRUNDY-KENDALL	262	147	
STA.	TO STA.			
FOR ROADWAY 15.71 SPANS 1 & 2				

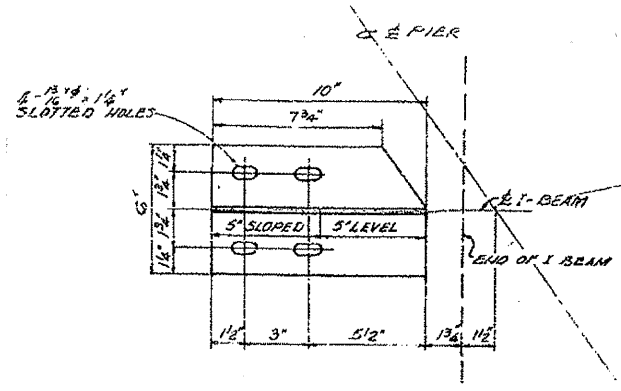
SHEET 6 OF 11



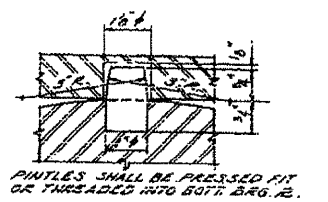
SECTION "W-W" EXPANSION BEARING "B1" SCALE 1/2" = 1'-0"



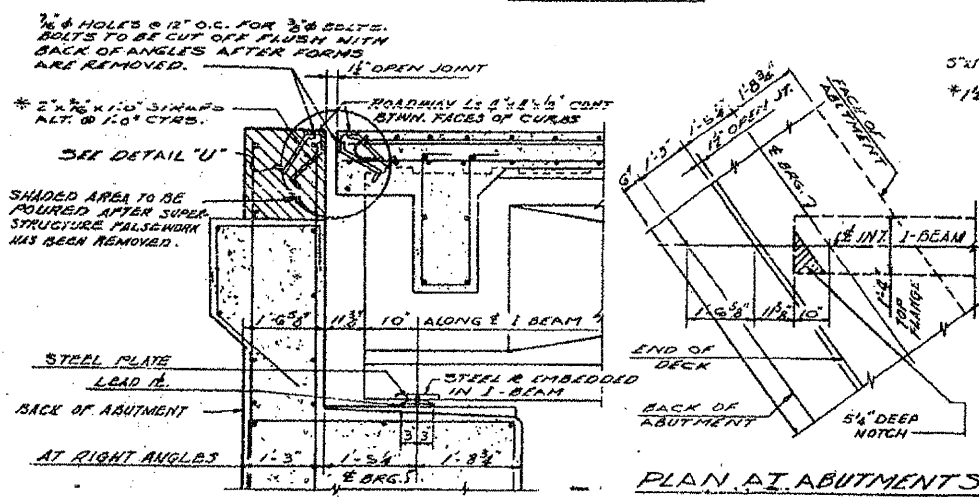
SECTION "X-X" FIXED BEARING "B2" SCALE 1/2" = 1'-0"



DETAIL OF ST 3x10 SCALE 3/4" = 1'-0"



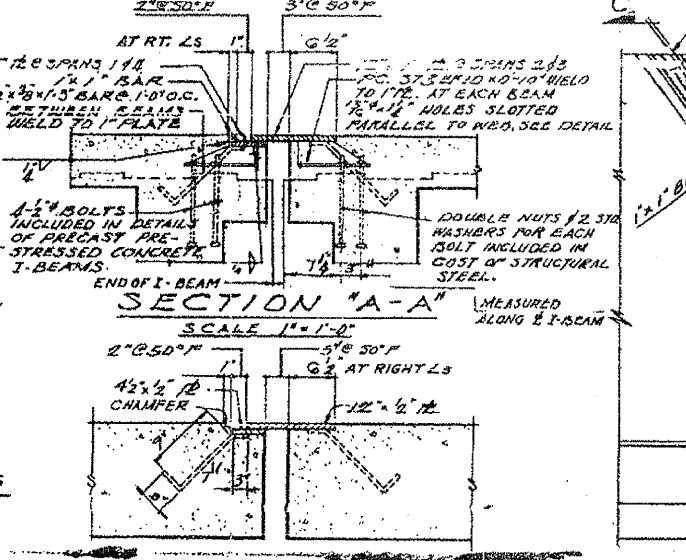
PINTLE DETAIL



SECTION AT ABUTMENTS SCALE 3/8" = 1'-0"

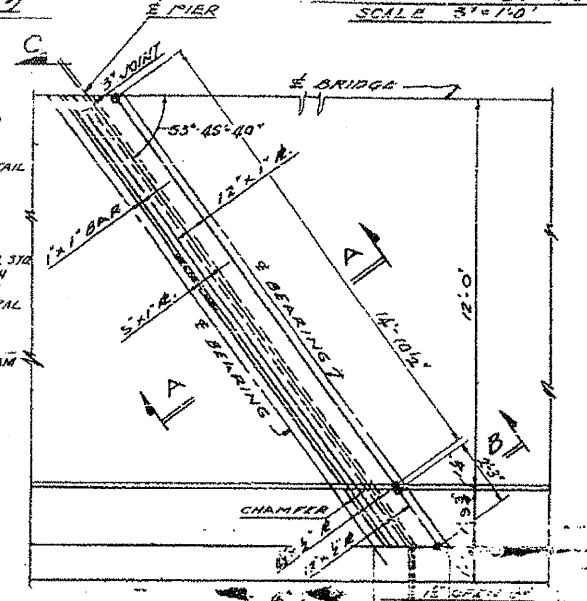
"L" DIMENSIONS - SHIM PLATES

BEAM NO.	1	2	3	4	5	6	7	8	9	10	11
PIER NO. 1											
PIER NO. 3											

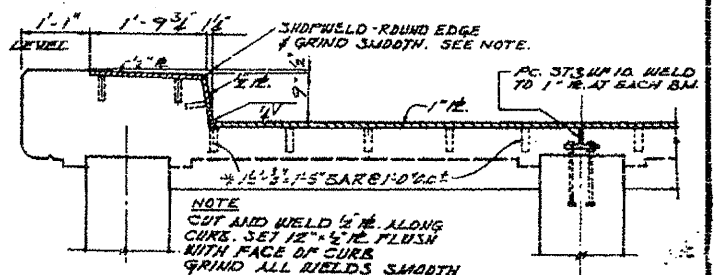


SECTION "A-A" SCALE 1" = 1'-0"

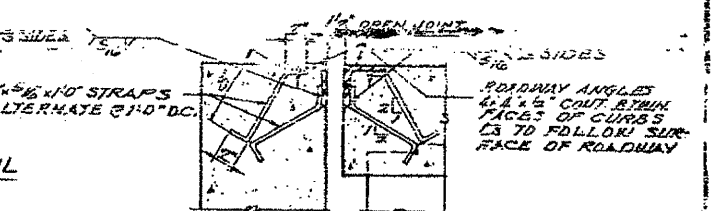
SECTION "B-B" SCALE 1" = 1'-0"



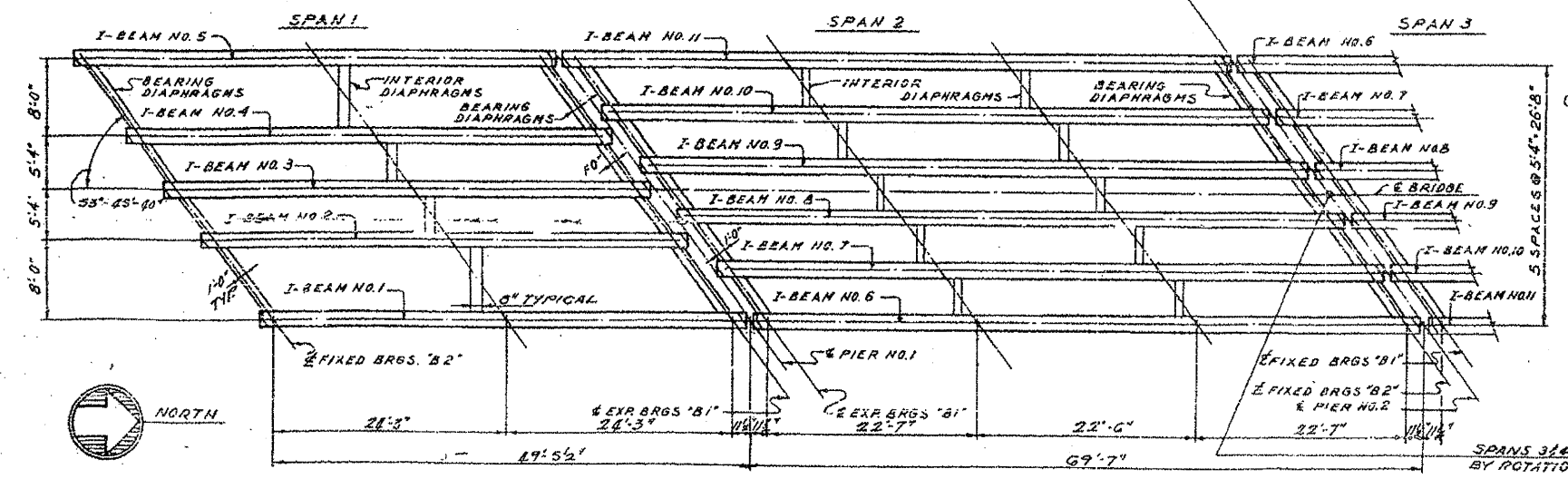
HALF PLAN OF EXPANSION JOINT DETAIL SCALE 3/8" = 1'-0"



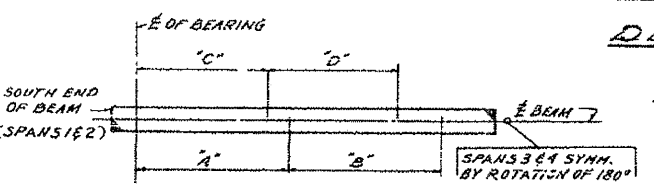
SECTION "C-C" SCALE 3/4" = 1'-0"



DETAIL "U"



FRAMING PLAN-SPANS 1 AND 2 SHOWN SCALE 6" = 1'-0"



INSERT LOCATION FOR INTERIOR DIAPHRAGMS

I-BEAM NO.	"A"	"B"	"C"	"D"
1			21'-3 3/8"	
2	27'-2 3/8"		22'-5 1/2"	
3	26'-2 1/2"		22'-3 1/2"	
4	26'-2 1/2"		21'-3 3/8"	
5	27'-2 3/8"			
6			20'-7 1/2"	22'-6"
7, 8, 9, 10	24'-6 1/2"	22'-6"	20'-7 1/2"	22'-6"
11	22'-6 1/2"	22'-6"		

NOTE:
 * 3/4" x 3/8" x 2" CR1020 STEEL GRANULAR OR SOLID FLUX FILLED STUDS AUTOMATICALLY END WELDED MAY BE SUBSTITUTED FOR STRAP ANCHORS.
 ALL MATERIAL FOR EXPANSION DEVICE SHALL BE STRUCTURAL STEEL.
 DIMENSIONS NOTED AT 50°F. SHALL BE INCREASED 0.01 INCH FOR EACH 10° DROP IN TEMPERATURE FROM 50°F AND DECREASED 0.01 INCH FOR EACH 10° INCREASE IN TEMPERATURE FROM 50°F.
 ROADWAY EXPANSION DEVICES SHALL BE FABRICATED AND ERECTED TO CONFORM TO ROADWAY CROWN.
 ASSEMBLY IN SHOP FOR INSPECTION. ALL SURFACES INACCESSIBLE AFTER ERECTION SHALL RECEIVE TWO SHARP COATS OF RED LEAD PAINT EXCEPT PORTIONS EMBEDDED IN CONCRETE.

FRAMING PLAN BEARING DETAILS AND EXPANSION DEVICE GRADE SEPARATION CROSS ROAD OVER FAI ROUTE 80 F.A. PROJECT F.A.I. ROUTE 80 SECTION (32,47)-4 GRUNDY-KENDALL COUNTY STATION 1397 + 24.83