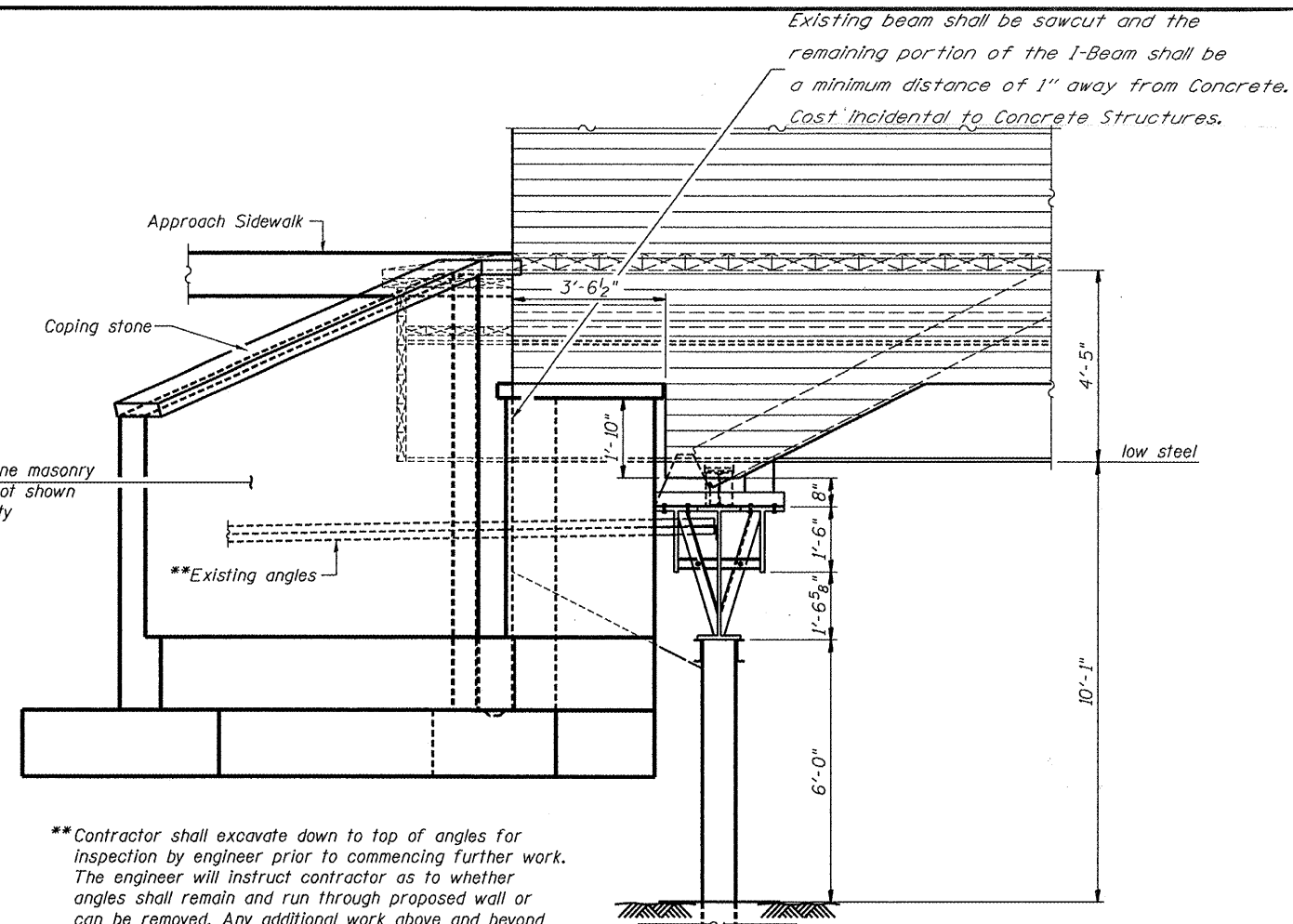
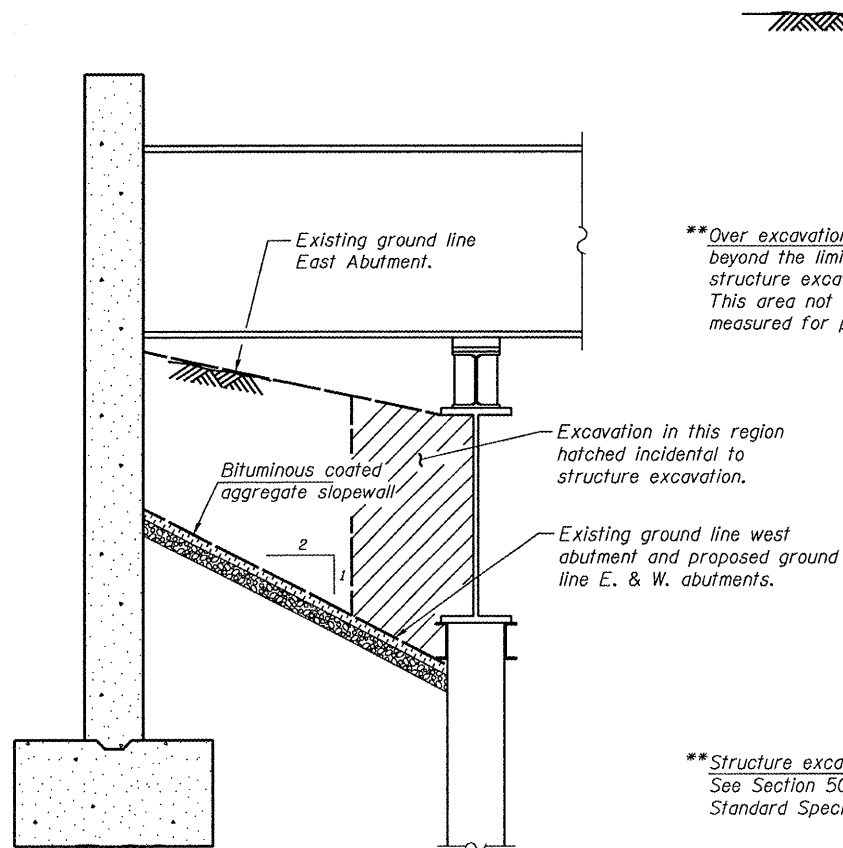


ISO VIEW ABUTMENT

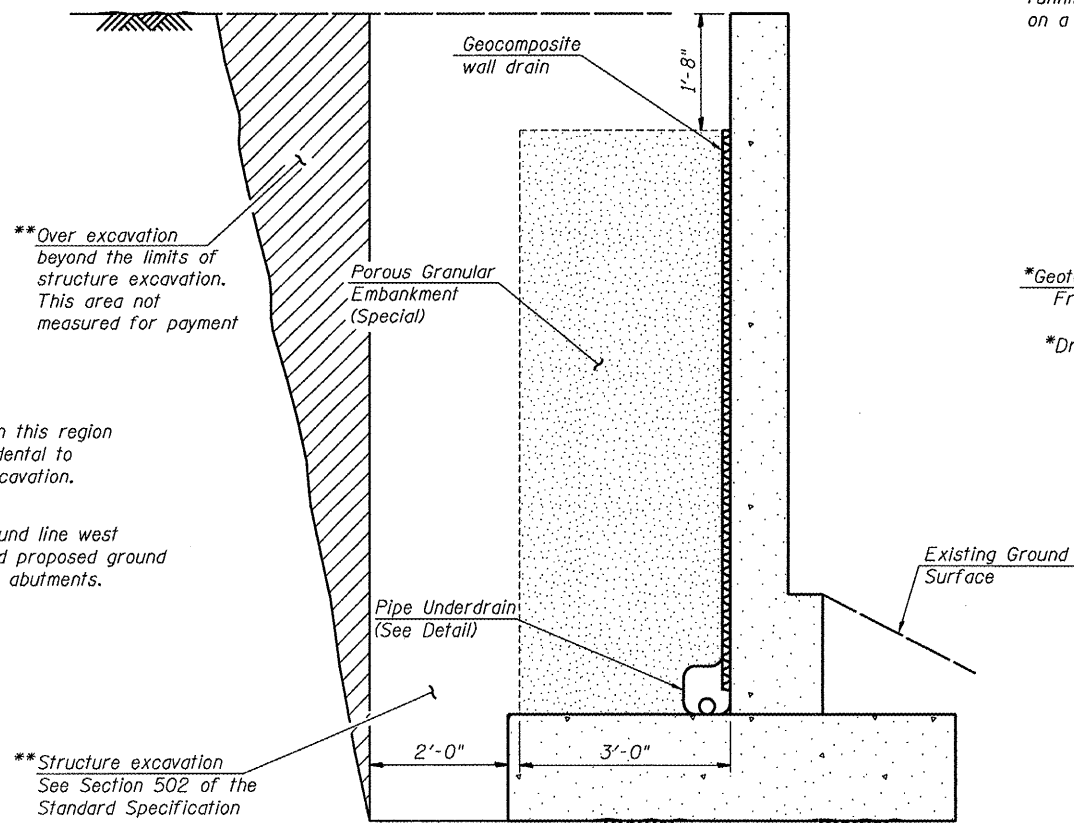


SECTION X-X

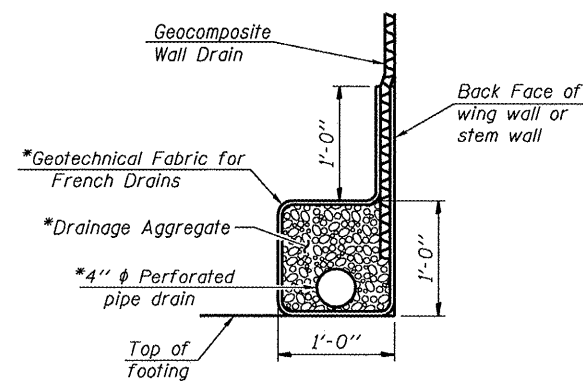
** Contractor shall excavate down to top of angles for inspection by engineer prior to commencing further work. The engineer will instruct contractor as to whether angles shall remain and run through proposed wall or can be removed. Any additional work above and beyond running angles through proposed wall shall be paid for on a force account basis.



SECTION THRU ABUTMENT



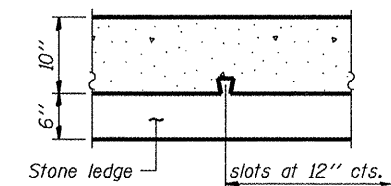
SECTION THRU T-TYPE WALL OR CLOSED ABUTMENT



PIPE UNDERDRAIN DETAIL

*Included in the cost of "Pipe Underdrains for Structures"

**Backfill remainder of structure excavation and over excavation with same material specified for roadway embankment



DOVETAIL ANCHOR DETAIL
(At stone facing locations)

EAST & WEST ABUTMENT DETAILS
OQUAWKA WAGON COVERED BRIDGE
 S.N. 036-0031
 SECTION 114RA
 ROUTE FAP 657 (IL 164)
 JOB NUMBER D-94-070-08
 HENDERSON COUNTY
 WHA# 1159D09

STRUCTURAL SHEET NO. 3 OF 3 SHEETS	F.A. RTE.	SECTION	COUNTY	TOTAL SHEETS	SHEET NO.
		114RA	HENDERSON	21	10
	CONTRACT NO. 68828				
FED. ROAD DIST. NO. ILLINOIS FED. AID PROJECT					