

F.A.P. RTE.	SECTION	COUNTY	TOTAL SHEETS	SHEET NO.
657	(114RA)	HENDERSON	21	1
		ILLINOIS	CONTRACT NO. 68828	

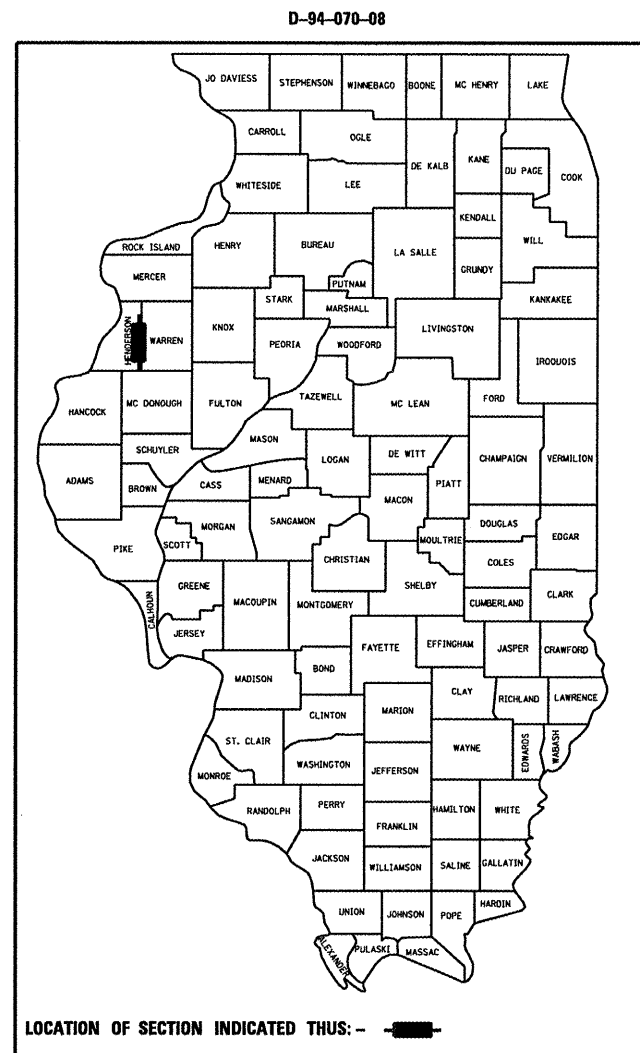
**INDEX OF SHEETS**

1. COVER SHEET
2. GENERAL NOTES/COMMITMENTS
3. SUMMARY OF QUANTITIES
4. PLAN VIEW
5. SIDEWALK & STAIR PROFILES
6. EROSION CONTROL PLAN
7. CONCRETE STAIRWAY DETAILS
- 8-10. EAST & WEST ABUTMENT DETAILS
- 11-15. VIDEO SURVEILLANCE DETAILS
16. SIDEWALK RAMP CROSS SECTION LINES
- 17-18. SIDEWALK RAMP CROSS SECTIONS
19. STAIRS CROSS SECTION LINES
- 20-21. STAIRS CROSS SECTIONS

**STATE OF ILLINOIS**  
**DEPARTMENT OF TRANSPORTATION**  
**DIVISION OF HIGHWAYS**  
**PROPOSED**  
**HIGHWAY PLANS**

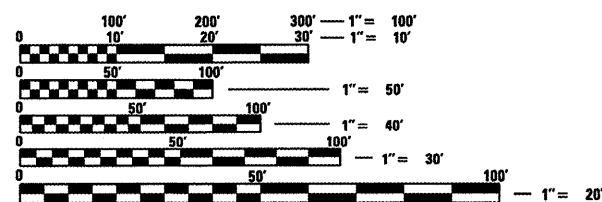
**FAP ROUTE 657 (IL 164)**  
**SECTION (114RA)**

----- **PROJECT NHC B-0657(007)**  
**HENDERSON COUNTY**  
**C-94-098-08**



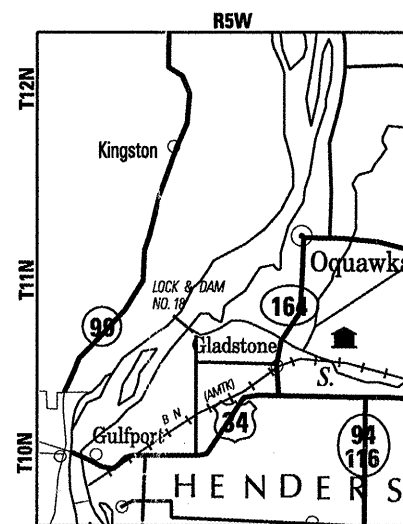
**STANDARDS**

- 001001-02
- 280001-05
- 424001-05
- 542301-02
- 701901-01
- 780001-02
- BLR 21-8



FULL SIZE PLANS HAVE BEEN PREPARED USING STANDARD ENGINEERING SCALES. REDUCED SIZED PLANS WILL NOT CONFORM TO STANDARD SCALES. IN MAKING MEASUREMENTS ON REDUCED PLANS, THE ABOVE SCALES MAY BE USED.

J.U.L.I.E.  
 JOINT UTILITY LOCATION INFORMATION FOR EXCAVATION  
 1-800-892-0123  
 OR 811



**PROJECT LOCATION**

**PROJECT DESCRIPTION:**

UPGRADE PEDESTRIAN ACCESS TO FACILITATE HANDICAPPED ACCESSIBILITY, ADDITION OF AN AGGREGATE ACCESS ROAD, AND IMPROVEMENTS TO THE WING WALLS OF THE OQUAWKA WAGON COVERED BRIDGE OVER HENDERSON CREEK 2 MILES SOUTH OF OQUAWKA.

GROSS LENGTH = NA  
 NET LENGTH = NA

**PROJECT ENGINEER: CHRISTOPHER MAUSHARD (309) 671-3453**  
**PROJECT LIAISON: MAUREEN ADDIS (309) 671-3495**  
**CATALOG NO. 033483-00D**  
**CONTRACT NO. 68828**

STATE OF ILLINOIS  
 DEPARTMENT OF TRANSPORTATION  
 DIVISION OF HIGHWAYS

SUBMITTED JUNE 10 2010

*[Signature]*  
 DEPUTY DIRECTOR OF HIGHWAYS, REGION ENGINEER

August 13 2010  
*Scott E. Sitt P.E. / B.L.*  
 acting ENGINEER OF DESIGN AND ENVIRONMENT

August 13 2010  
*Christine M. Reed / B.L.*  
 DIRECTOR OF HIGHWAYS, CHIEF ENGINEER

**PRINTED BY THE AUTHORITY**  
**OF THE STATE OF ILLINOIS**

**ENVIRONMENTAL REVIEWS**

Prior to the use of any proposed borrow areas, use areas (temporary access roads, detours, run-arounds, etc.) and/or waste areas, the Contractor shall file the required environmental resource request surveys according to Section 107.22 of the Standard Specifications. These surveys are required in order for the Department to conduct cultural and biological resource surveys for the proposed site.

Prior to any waste materials being removed from the construction site the required environmental resource surveys will need to be obtained and filed by the Contractor. Excess waste products removed from the construction site shall be disposed of as required in Section 202.03 of the Standard Specifications.

Any protruding metal bars shall be removed prior to the disposal of broken concrete at approved disposal sites.

The required environmental resource documentation shall include the following:

- \* BDE Form 2289 (Environmental Survey Request)
- \* A location map showing the size limits and location of the use area
- \* Signed property owner agreement form-D4 PI0100
- \* Color photographs depicting the use area
- \* Borrow Area Entry Agreement form-D4 PI0101

Please note that a minimum of two weeks shall be allowed for the District to obtain the required environmental clearances.

**ENGINEERS FIELD OFFICE**

Add the following sentence to the end of paragraph 670.02 (i) and 670.04 (e):  
All of the telephone lines provided shall have unpublished numbers.

**ORDERING LENGTH CONFIRMATION – DRAINAGE ITEMS**

The Contractor shall consult with the Engineer in regard to the exact length of the box/pipe culverts, storm sewers, and/or pipe drains required prior to ordering these items.

**JOB SPECIFIC NOTE**

Two weeks prior to the closure of the rest area, the contractor shall notify Jim Alwill, Bureau of Operations. Phone (309) 671-4484.

**COMMITMENTS**

No commitments have been made for this project.

HORIZONTAL CONTROL POINTS					
POINT #	STATION	O/S	NORTH	EAST	DESCRIPTION
CP #2			1527693.51	2080992.91	NAIL
CP #3			1551662.43	2103890.24	IRON PIN
CP #4			1540904.19	2079892.49	IRON PIN
CP #5			1540551.16	2080156.65	IRON PIN
CP #6			1540674.05	2080253.58	NAIL
VERTICAL BENCH MARKS					
STATION	O/S	ROAD	ELEV.	DESCRIPTION	
			550.34	BRASS DISK IN IL 164 BRIDGE OVER HENDERSON CREEK NW CORN.	
			538.48	CHISLED "□" ON CONC. @ NW CORN. OF RESTROOMS	
			539.15	CHISLED "□" ON I-BEAM NE CORNER BRIDGE	
			536.18	CHISLED "□" ON CONC. FOR PICNIC TABLES PERGOLA SE CORN.	

NAME AND ADDRESS OF UTILITIES	TYPE
MEDIACOM MIDWEST LLC ATTN: DENNIS JARDING 3900 26TH AVE MOLINE, IL 61265 309-743-4750	CABLE TV
LIGHTCORE (DIGITAL TELEPORT) ATTN: KIRK THOELKE 1151 CENTURY TEL DRIVE WENTZVILLE, MO 63385 636-887-4752	TELEPHONE
FRONTIER COMMUNICATIONS ATTN: MARK 225 N. BROAD ST. CARLINVILLE, IL 62626 217-854-2222	
AMEREN IP ATTN: JOE PERRYMAN 1050 WEST BLVD. BELLEVILLE, IL 62221 618-236-6252	ELECTRIC
NICOR GAS ATTN: CONNIE LANE 1844 FERRY ROAD NAPERVILLE, IL 60563 630-388-2362	GAS

PLAN	DATE
BY	
SURVEYED	CHECKED
ALIGNED	CHECKED
NOTE BOOK	CHECKED
NO.	

PROFILE	DATE
BY	
SURVEYED	CHECKED
GRADES	CHECKED
NOTE BOOK	CHECKED
NO.	

FILE NAME = S:/Struct/1159091D0TADA/Trans Design/COVER C.dgn

SUMMARY OF QUANTITIES			UNIT	TOTAL QUANTITY	Y067 80% FEDERAL 20% STATE	Y067 100% STATE
SP	CODE NO.	DESCRIPTION				
	20100210	TREE REMOVAL (OVER 15 UNITS DIAMETER)	UNIT	52		52
	20200100	EARTH EXCAVATION	CU YD	94	94	
	20400800	FURNISHED EXCAVATION	CU YD	476	476	
	20700220	POROUS GRANULAR EMBANKMENT	CU YD	60	60	
	21101615	TOPSOIL FURNISH & PLACE, 4" (AND)	SQ YD	1980	1980	
	25000210	SEEDING, CLASS 2A	ACRE	0.4		0.4
	25000400	NITROGEN FERTILIZER NUTRIENT	POUND	36		36
	25000500	PHOSPHORUS FERTILIZER NUTRIENT	POUND	36		36
	25000600	POTASSIUM FERTILIZER NUTRIENT	POUND	36		36
	25100115	MULCH, METHOD 2	ACRE	0.4		0.4
	28000400	PERIMETER EROSION BARRIER	FOOT	400		400
	40200700	AGGREGATE SURFACE COURSE, TYPE A 8"	SQ YD	194	194	
	42000200	PORTLAND CEMENT CONCRETE PAVEMENT 7"	SQ YD	45		45
	42400200	PORTLAND CEMENT CONCRETE SIDEWALK 5 INCH	SQ FT	2875		2875
	42400800	DETECTABLE WARNINGS	SQ FT	348		348
	44000100	PAVEMENT REMOVAL	SQ YD	38	38	
	44000600	SIDEWALK REMOVAL	SQ FT	315		315
	44213200	SAW CUTS	FOOT	145		145
	50105220	PIPE CULVERT REMOVAL	FOOT	44	44	
	50200100	STRUCTURE EXCAVATION	CU YD	200	200	
	50300225	CONCRETE STRUCTURES	AGGREGATE, CU YD	51	51	
	50800105	REINFORCEMENT BARS BITUMINOUS COATED	POUND	5052	5052	
	X0327061	CONCRETE SLOPEWALL 6"	SQ YD	17.2	17.2	
	54213693	PRECAST REINFORCED FLARED END SECTIONS 48"	EACH	2	2	
	542A0253	PIPE CULVERTS, CLASS A, TYPE 1 48"	FOOT	20	20	
	59100100	GEOCOMPOSITE WALL DRAIN	SQ YD	60	60	
	60109580	PIPE UNDERDRAINS FOR STRUCTURES 4"	FOOT	136	136	
	63200205	WOOD GUARD RAIL REMOVAL	FOOT	192	192	
	67000400	ENGINEER'S FIELD OFFICE, TYPE A	CAL MO	2		2
	67100100	MOBILIZATION	L SUM	1	1	
	70101830	TRAFFIC CONTROL AND PROTECTION, STANDARD BLR 21	L SUM	1	1	
X	81702110	ELECTRIC CABLE IN CONDUIT, 600V (XLP-TYPE USE) 1/C NO. 10	FOOT	334		334
	X0322330	HANDICAP SIGN	EACH	1		1
X	X0323524	REMOVE EXISTING SURVEILLANCE CAMERA EQUIPMENT	EACH	1		1
	X0323648	LIMESTONE MASONRY VENEER	SQ FT	402		402
X	X0323898	CLOSED CIRCUIT TELEVISION DOME CAMERA	EACH	2		2
	X0323923	SUPPORT EQUIPMENT AND MAINTENANCE	L SUM	1		1
X	X0325049	CLOSED CIRCUIT TELEVISION DOME CAMERA (MATERIAL ONLY)	EACH	2		2
	X0326252	COMPUTER WORKSTATION	EACH	2		2
X	X0326260	ETHERNET SWITCH (MATERIAL ONLY)	EACH	4		4
	X0326262	REMOTE POWER MANAGEMENT UNIT	EACH	1		1
X	X0326263	EQUIPMENT CABINET	EACH	1		1
X	X0326267	VIDEO SERVER	EACH	2		2
X	X0326342	DIGITAL VIDEO DECODER	EACH	4		4
X	X0326812	CAT 5 ETHERNET CABLE	FOOT	1037		1037
	X8620020	UNINTERRUPTIBLE POWER SUPPLY	EACH	1		1
	XX006751	STAIR RAILING	FOOT	34	34	
	Z0012450	CONCRETE STEPS	CU YD	10.5	10.5	
	Z0013798	CONSTRUCTION LAYOUT	L SUM	1	1	

**WILLET, HOFMANN & ASSOCIATES, INC.**  
**CONSULTING ENGINEERS**  
 809 East Second Street Dixon, IL 61021  
 Phone 815-284-3381 Fax 815-284-3385  
 Design Firm # 184-00518  
 www.willetthofmann.com

USER NAME =	DESIGNED -	REVISED -
PLOT SCALE =	DRAWN -	REVISED -
PLOT DATE =	CHECKED -	REVISED -
	DATE -	REVISED -

**Illinois Department of Transportation**  
 Route FAP 657 (IL 164)  
 Oquawka Wagon Covered Bridge

**SUMMARY OF QUANTITIES**

F.A.S. RTE.	SECTION	COUNTY	TOTAL SHEETS	SHEET NO.
	114RA	HENDERSON	21	3
STA.	TO STA.	CONTRACT NO.		
FED. ROAD DIST. NO. - ILLINOIS FED. AID PROJECT				

**BENCH MARK DESCRIPTIONS**

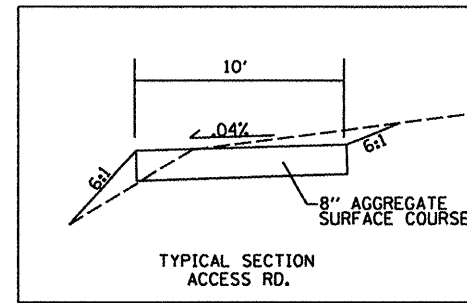
BRASS DISK IN IL 164 BRIDGE OVER HENDERSON CREEK NW CORN.  
 CHISLED "C" ON CONC. @ NW CORN. OF RESTROOMS  
 CHISLED "C" ON I-BEAM NE CORNER BRIDGE  
 CHISLED "C" ON CONC. FOR PICNIC TABLES PERGOLA SE CORN.

DATE	
BY	
REVISIONS	
PLANNED	
ALIGNED	
CHECKED	
FILED	
NO.	

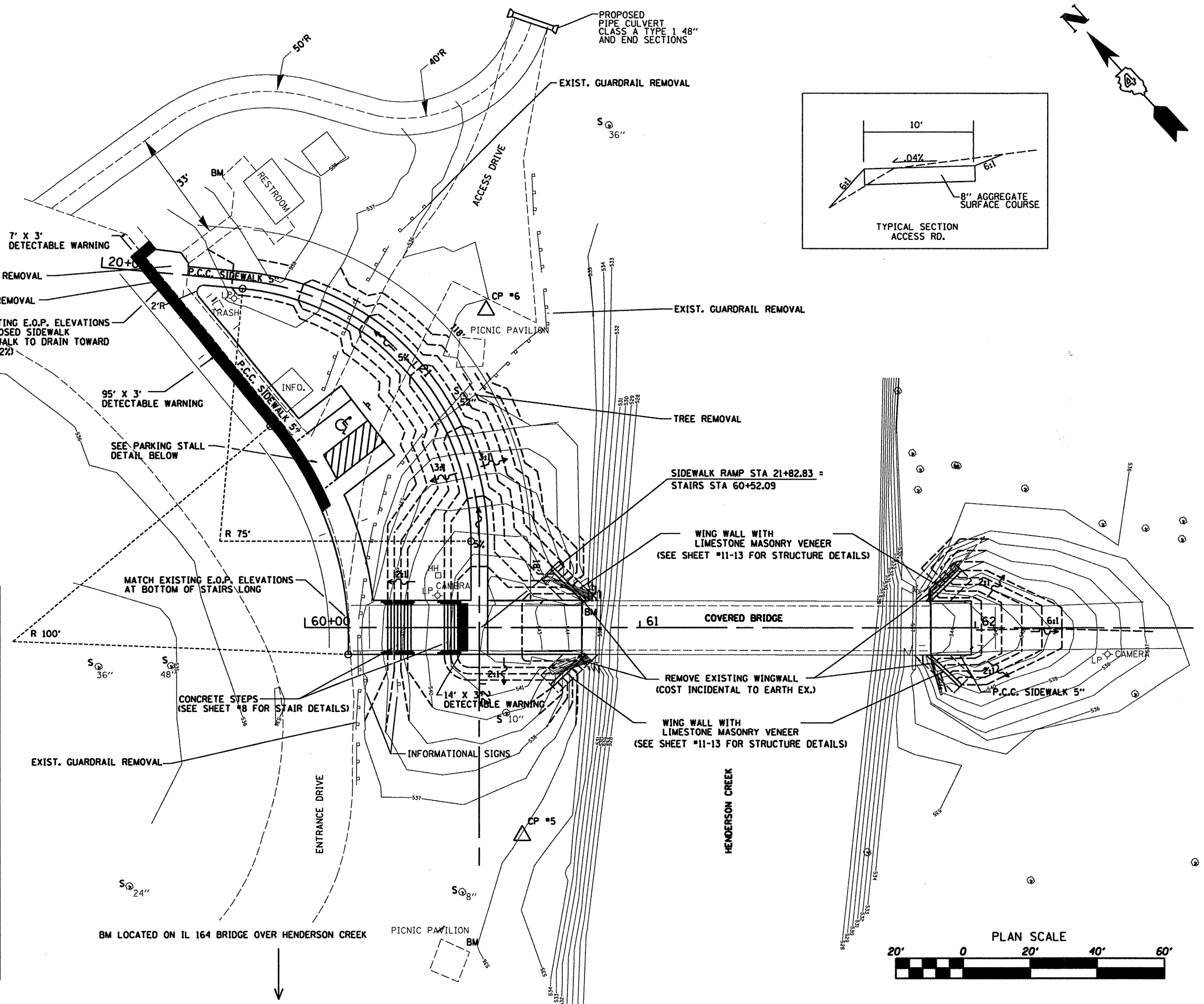
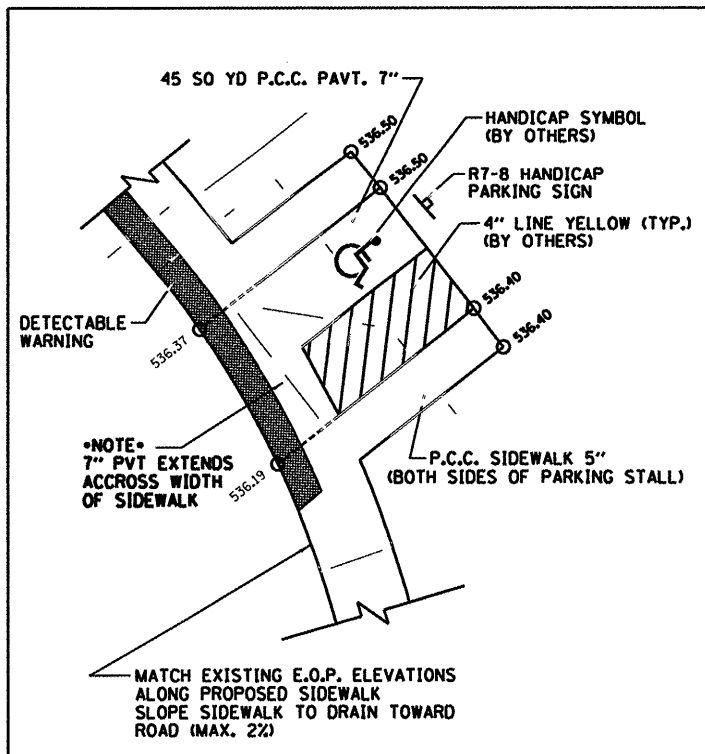
DATE	
BY	
REVISIONS	
PLANNED	
ALIGNED	
CHECKED	
FILED	
NO.	

EXISTING CONTOURS ———  
 PROPOSED CONTOURS - - - - -

CP #4  
 LOCATED IN ENTRANCE ISLAND



**PARKING STALL DETAIL**



S:\Projects\115999\115999.DWG Auto\Trans Design\PlanView.dwg

**WILLET, HOFMANN & ASSOCIATES, INC.**  
**CONSULTING ENGINEERS**  
 809 East Second Street, Dixon, IL 61021  
 Phone 815.284.3381 Fax 815.284.3385  
 Design Firm # 184-00918  
 www.willettthofmann.com

USER NAME =	DESIGNED -	REVISED -
PLOT SCALE =	DRAWN -	REVISED -
PLOT DATE =	CHECKED -	REVISED -
	DATE -	REVISED -

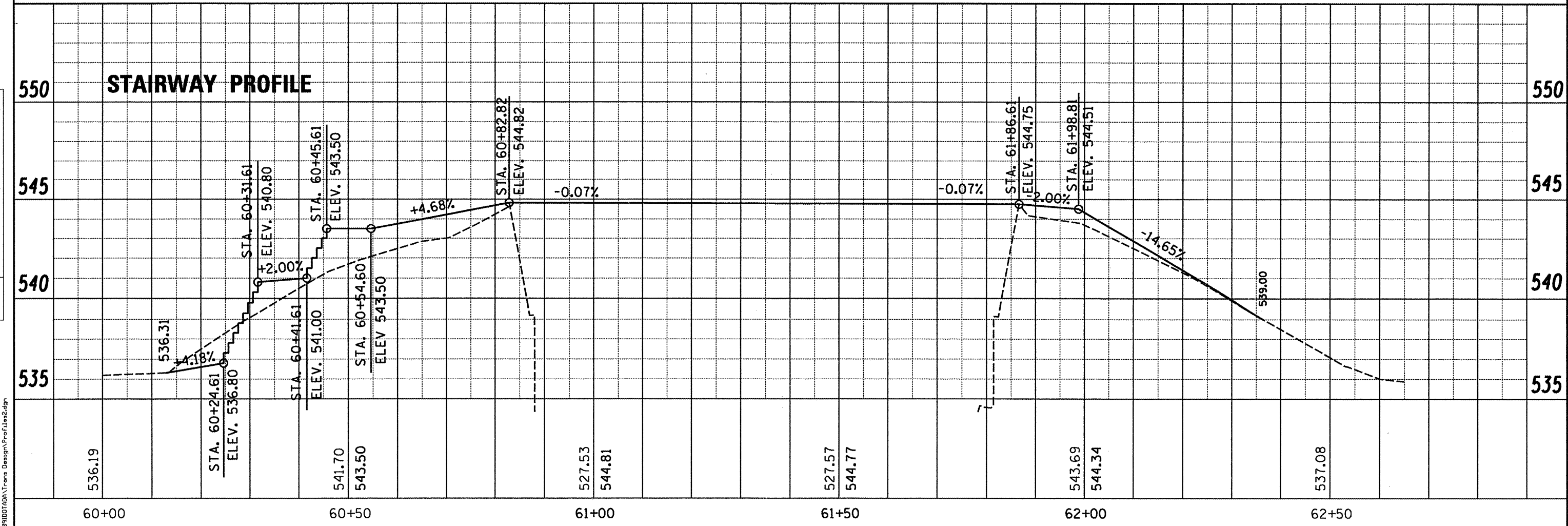
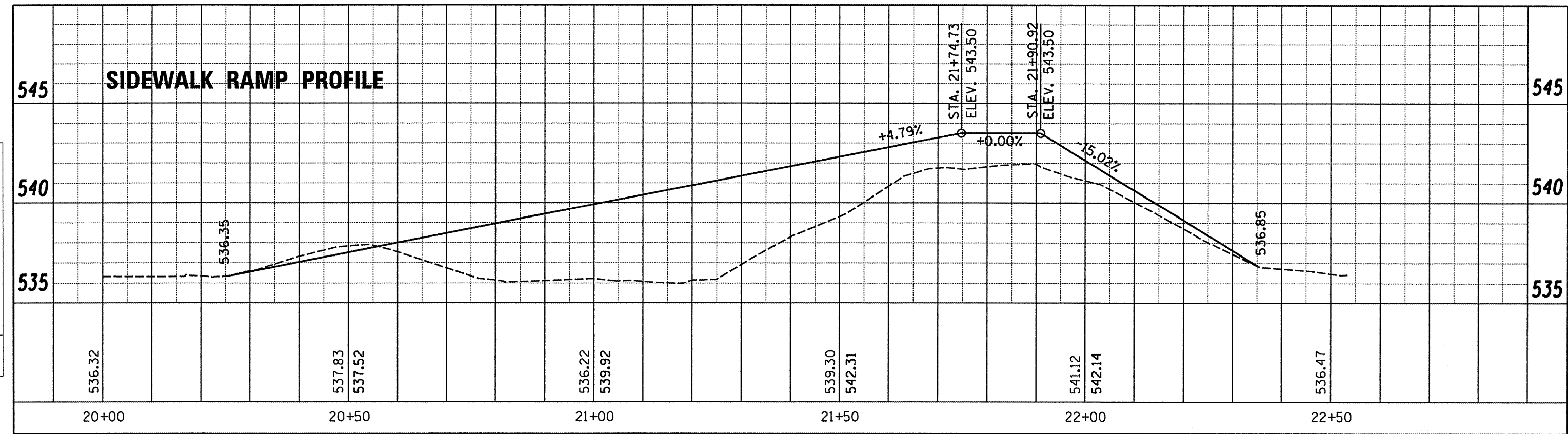
**Illinois Department of Transportation**  
 Route FAP 657 (IL 164)  
 Oquawka Wagon Covered Bridge

**PLAN VIEW**

F.A. RTE.	SECTION	COUNTY	TOTAL SHEETS	SHEET NO.
	D-94-070-08	HENDERSON	21	4
STA.	TO STA.	CONTRACT NO.		
FED. ROAD DIST. NO. -	ILLINOIS FED. AID PROJECT			

PLAN	REVISIONS	DATE
NOTE BOOK NO.	ALIGNED CHECKED	BY
	PLOTTED	
	FILE NAME	

PROFILE	REVISIONS	DATE
NOTE BOOK NO.	GRADES CHECKED	BY
	STRUCTURE	
	NOTATION	



S:\S\11590900\11590900\Trans Design\Profile2.dgn

USER NAME =	DESIGNED -	REVISED -
PLOT SCALE =	DRAWN -	REVISED -
PLOT DATE =	CHECKED -	REVISED -
	DATE -	REVISED -

**Illinois Department of Transportation**  
Route FAP 657 (IL 164)  
Oquawka Wagon Covered Bridge

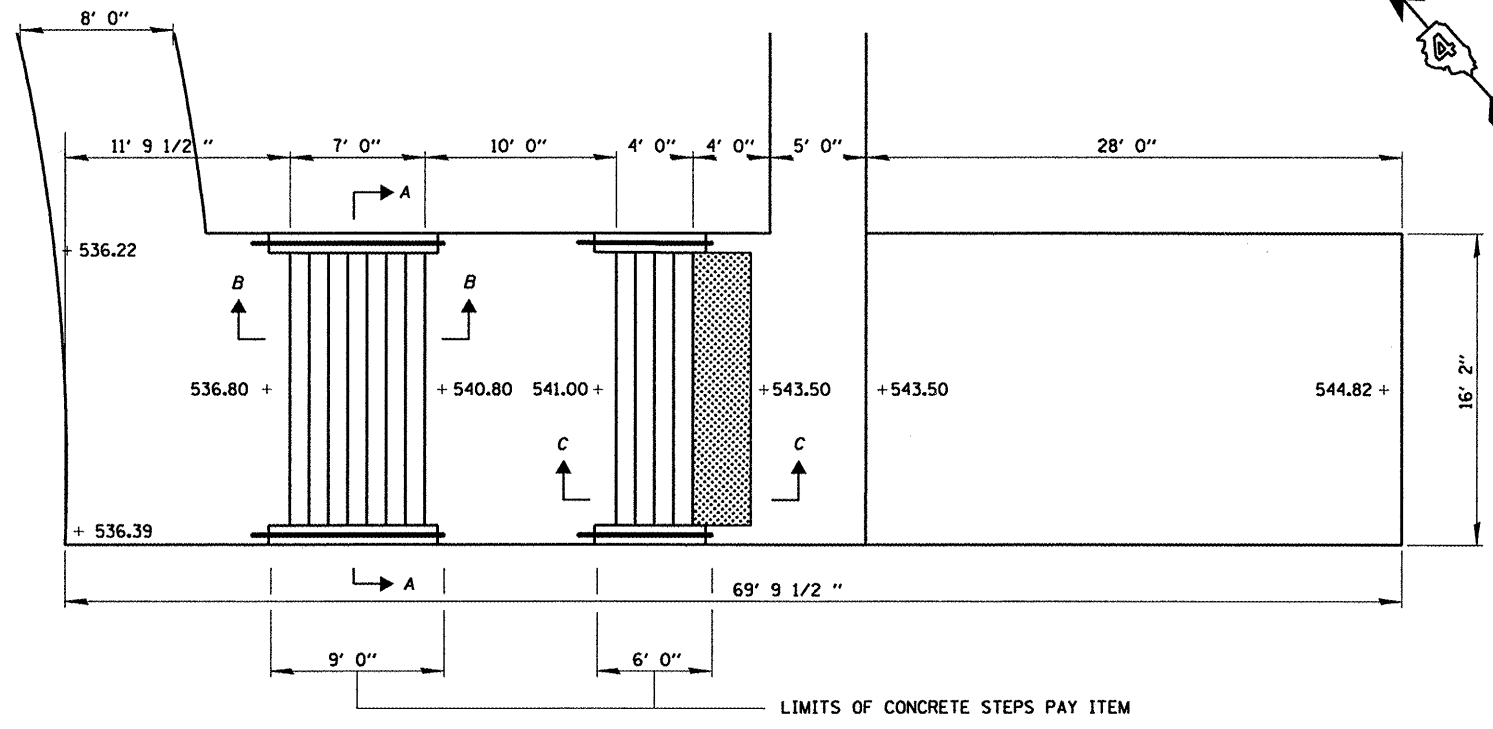
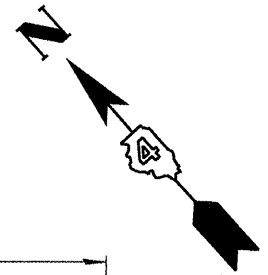
## SIDEWALK & STAIR PROFILES

F.A. RTE.	SECTION	COUNTY	TOTAL SHEETS	SHEET NO.
	114RA	HENDERSON	21	5
STA.	TO STA.	CONTRACT NO.		
FED. ROAD DIST. NO. - ILLINOIS FED. AID PROJECT				



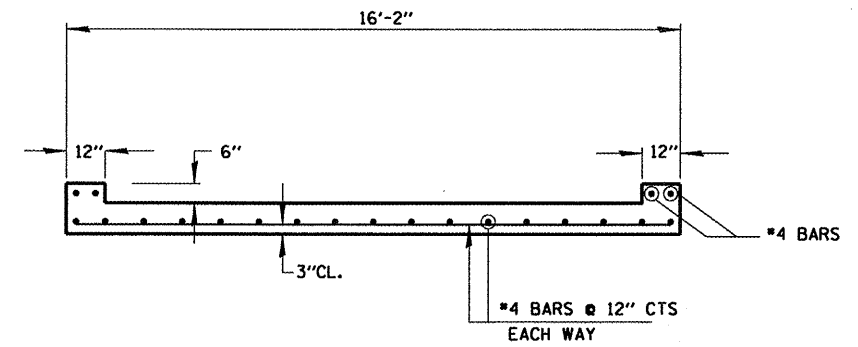
DATE	
BY	
REVISIONS	
PLANNED	
DESIGNED	
CHECKED	
NOTED	
FILED	
NO.	

DATE	
BY	
REVISIONS	
PLANNED	
DESIGNED	
CHECKED	
NOTED	
FILED	
NO.	

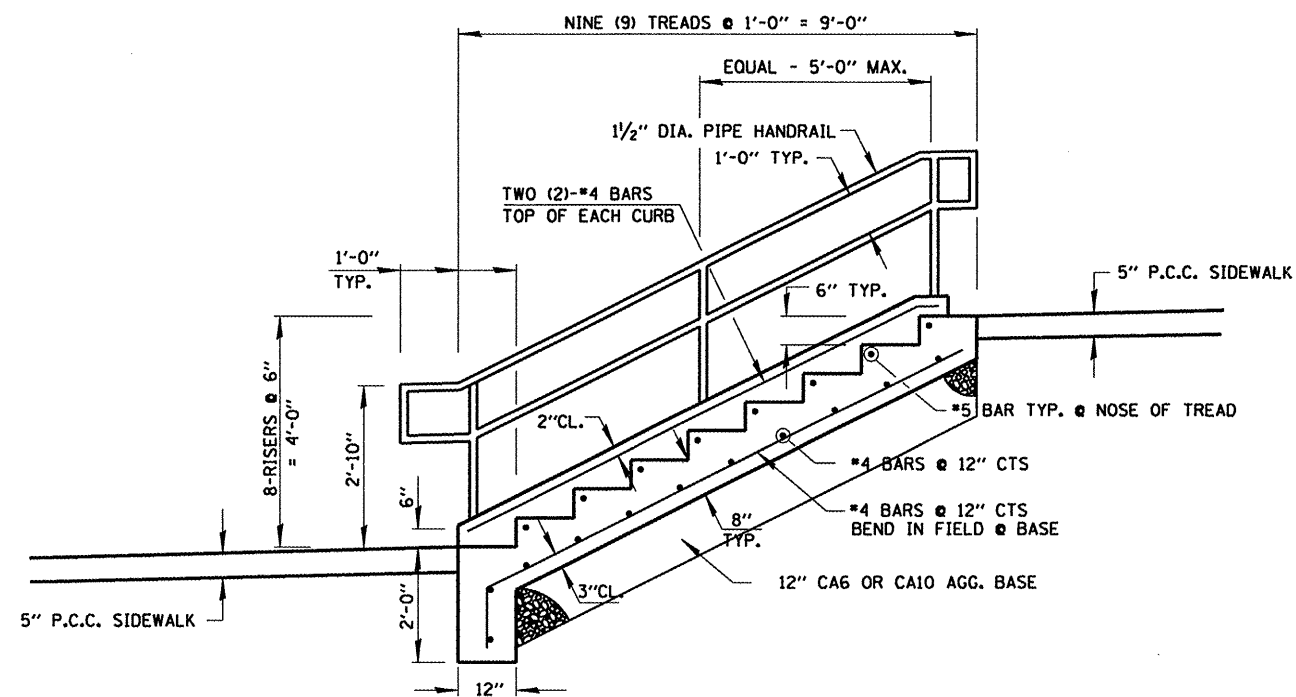


**STAIRWAY PLAN**

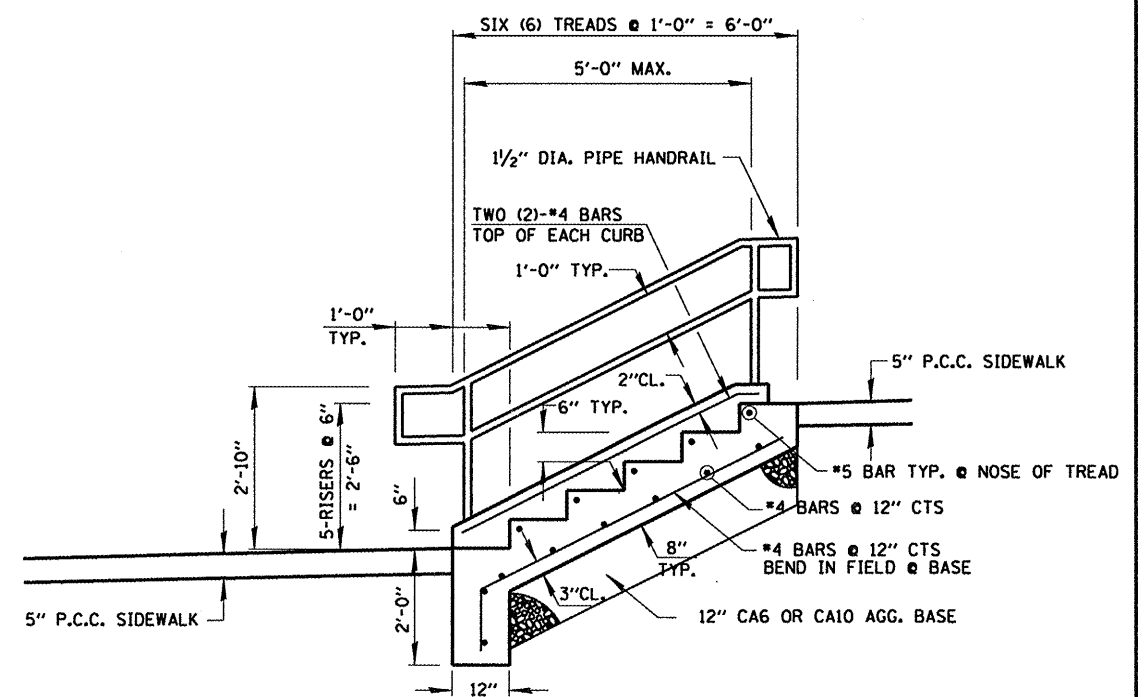
**NOTE:**  
ALL REINFORCEMENT BARS IN STAIRWAY SHALL BE INCIDENTAL TO CONCRETE STEPS



**SECTION A-A**



**SECTION B-B**



**SECTION C-C**

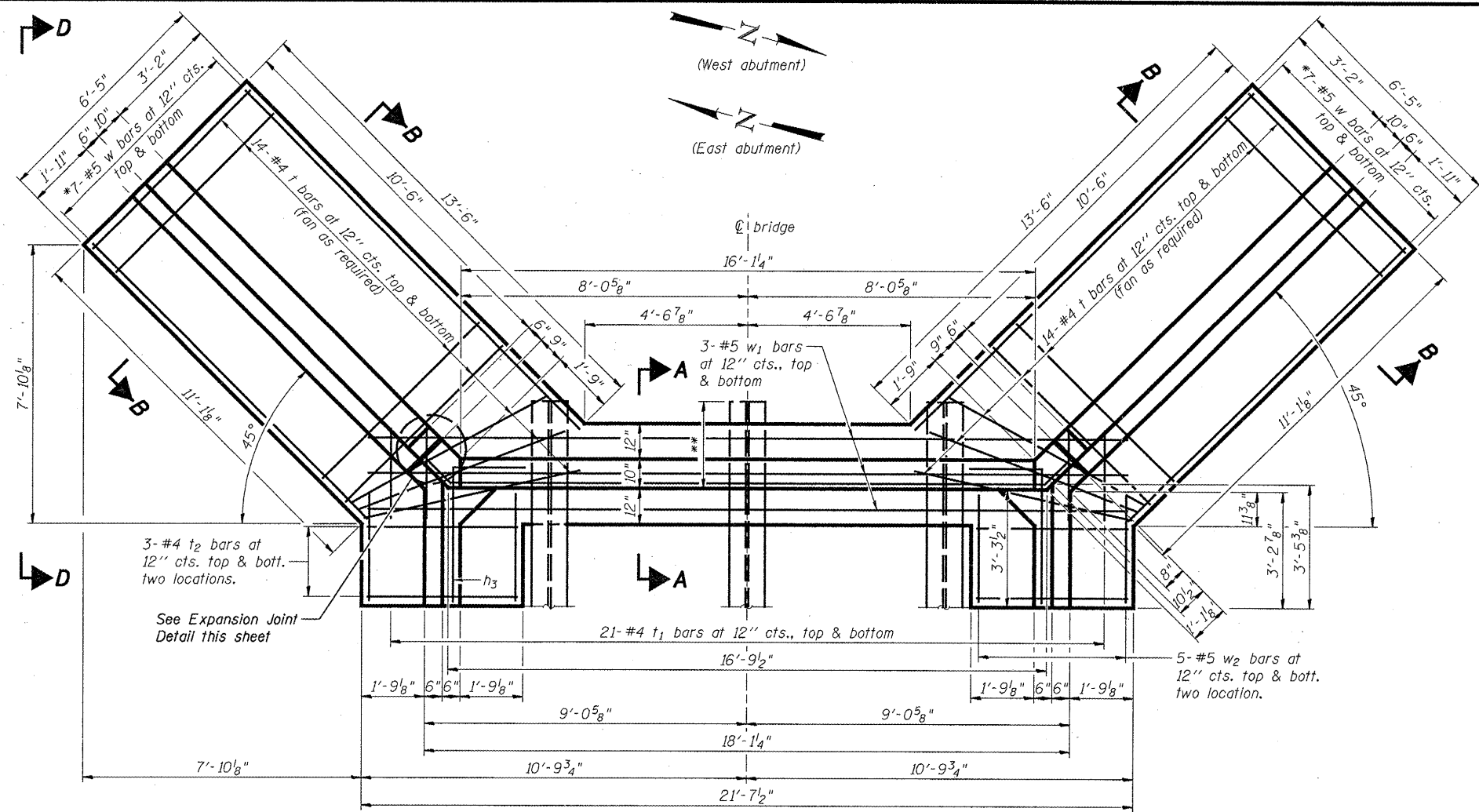
S:\Structure\115\0091\01\00A\Trans Design\StairDetail.dgn

USER NAME =	DESIGNED -	REVISED -
PLOT SCALE =	DRAWN -	REVISED -
PLOT DATE =	CHECKED -	REVISED -
	DATE -	REVISED -

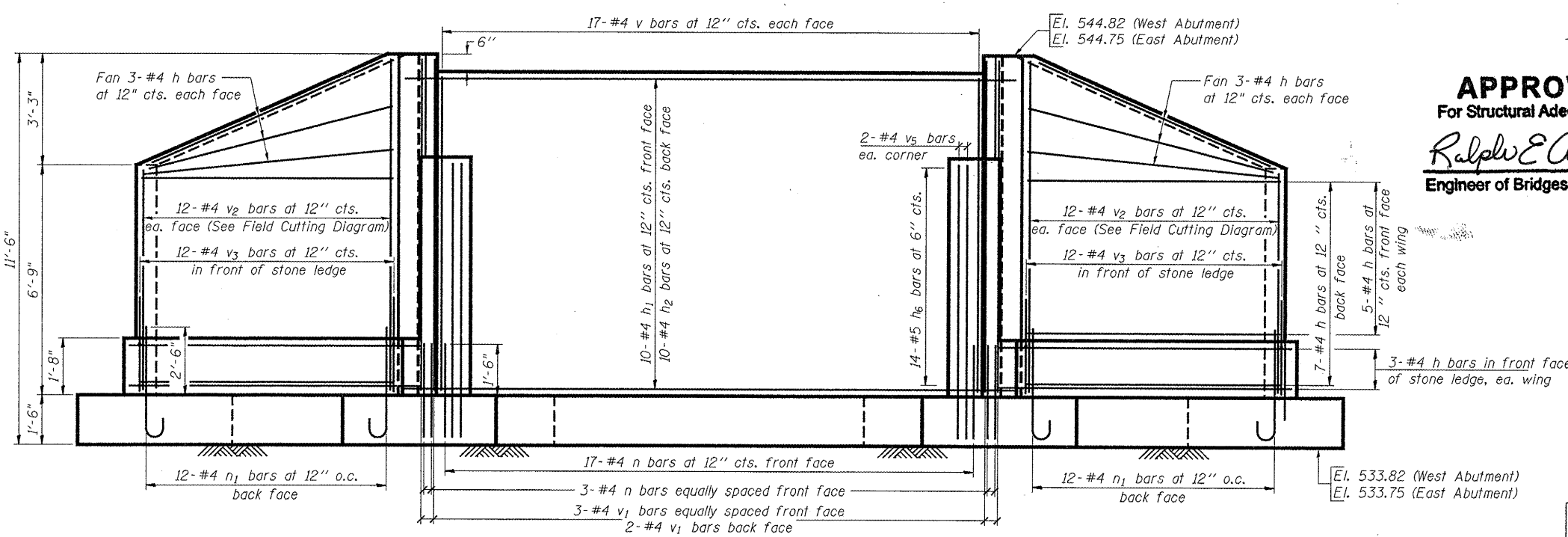
**Illinois Department of Transportation**  
Route FAP 657 (IL 164)  
Oquawka Wagon Covered Bridge

**CONCRETE STAIRWAY DETAILS**

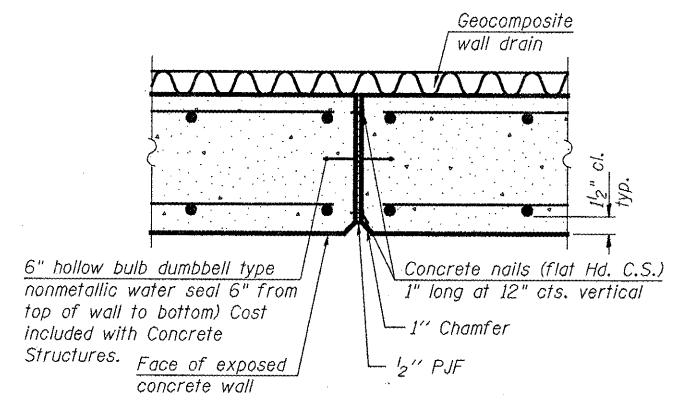
F.A. RTE.	SECTION	COUNTY	TOTAL SHEETS	SHEET NO.
	114RA	HENDERSON	21	7
STA.	TO STA.	CONTRACT NO.		
FED. ROAD DIST. NO. - ILLINOIS FED. AID PROJECT				



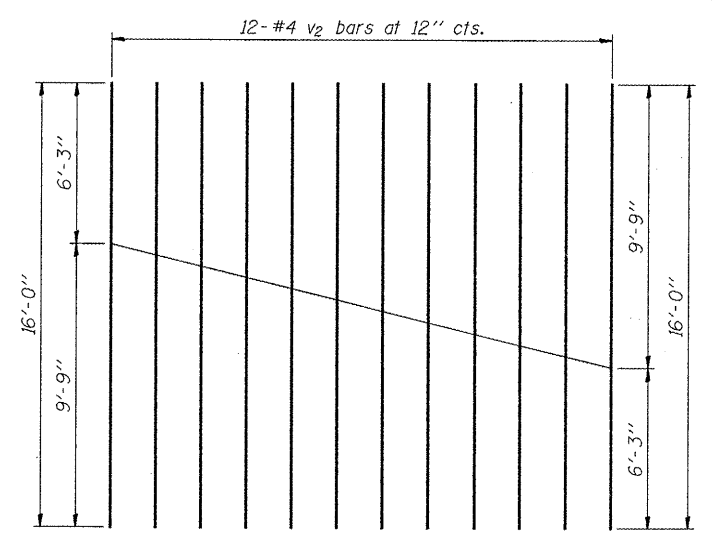
**PLAN**



**ELEVATION**



**EXPANSION JOINT**



**CUTTING DIAGRAM**

**APPROVED**  
For Structural Adequacy Only

*Ralph E. Andersen (TTP)*  
Engineer of Bridges & Structures



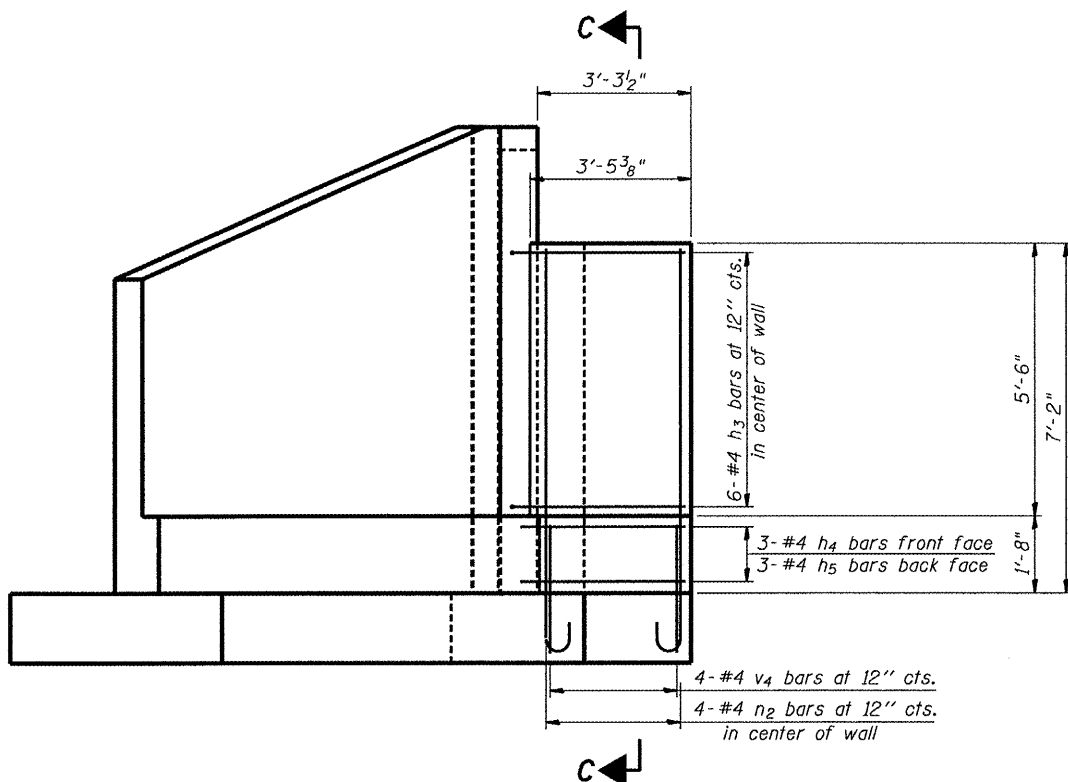
*Brian K. Conwell*  
DATE: 1/18/2010  
EXPIRES 11/30/10

\*Cut bars in field to fit.  
\*\*This portion of I-beam shall be cut in field. Clean cut only, no torch removal allowed. The remaining portion of the I-beam shall be a minimum distance of 1' away from concrete. Touch up paint at sawcut ends of beams. Cost incidental to Concrete Structures.

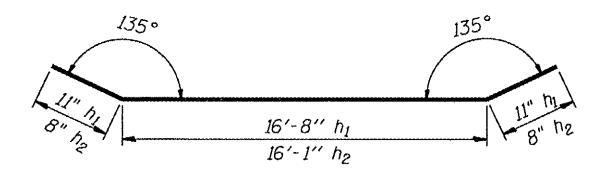
**EAST & WEST ABUTMENT DETAILS**  
**OQUAWKA WAGON COVERED BRIDGE**  
S.N. 036-0031  
SECTION 114RA  
ROUTE FAP 657 (IL 164)  
JOB NUMBER D-94-070-08  
HENDERSON COUNTY  
WHA# 1159D09

STRUCTURAL SHEET NO. 1 OF 3 SHEETS	F.A. RTE.	SECTION 114RA	COUNTY HENDERSON	TOTAL SHEETS 21	SHEET NO. 8
CONTRACT NO. 68828					
FED. ROAD DIST. NO. - ILLINOIS FED. AID PROJECT					

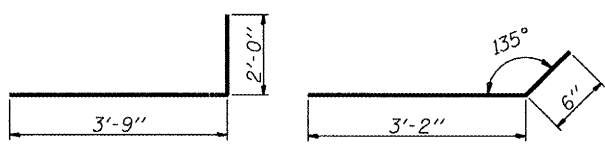




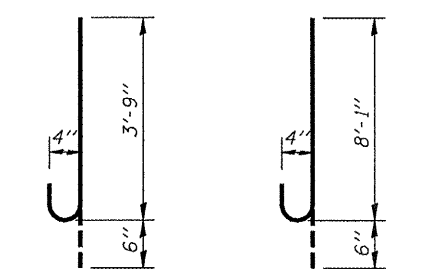
**SECTION D-D**



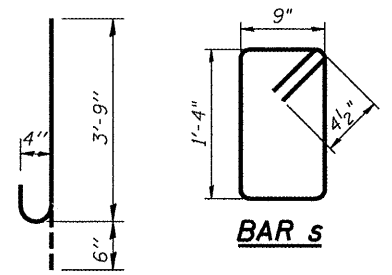
**BAR h<sub>1</sub> & h<sub>2</sub>**



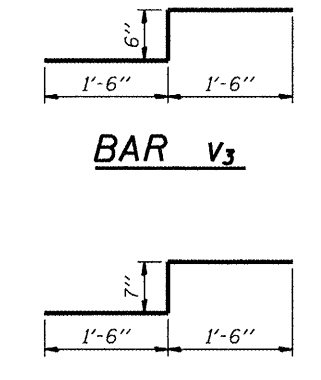
**BAR h<sub>3</sub>      BAR h<sub>4</sub>**



**BAR h<sub>5</sub>      BAR n<sub>2</sub>**

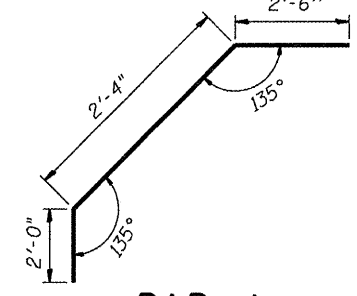


**BAR n<sub>1</sub>**



**BAR v<sub>3</sub>**

**BAR v<sub>4</sub>**



**BAR h<sub>6</sub>**

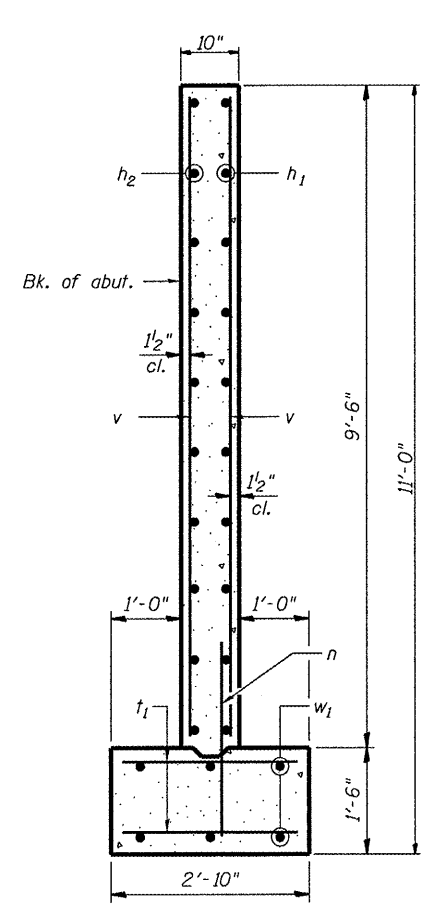
**BILL OF MATERIAL - E. & W. ABUT.**

Bar	No.	Size	Length	Shape
h	84	#4	10'-9"	—
h <sub>1</sub>	20	#4	18'-6"	—
h <sub>2</sub>	20	#4	17'-5"	—
h <sub>3</sub>	24	#4	5'-9"	—
h <sub>4</sub>	12	#4	3'-8"	—
h <sub>5</sub>	12	#4	4'-3"	—
h <sub>6</sub>	56	#5	6'-10"	—
n	46	#4	2'-9"	—
n <sub>1</sub>	48	#4	3'-9"	—
n <sub>2</sub>	16	#4	8'-7"	—
t	112	#4	6'-1"	—
t <sub>1</sub>	84	#4	2'-6"	—
t <sub>2</sub>	24	#4	4'-2"	—
v	68	#4	9'-3"	—
v <sub>1</sub>	20	#4	9'-9"	—
v <sub>2</sub>	48	#4	16'-0"	—
v <sub>3</sub>	48	#4	3'-6"	—
v <sub>4</sub>	16	#4	3'-7"	—
v <sub>5</sub>	8	#4	8'-3"	—
w	56	#5	13'-1"	—
w <sub>1</sub>	12	#5	21'-3"	—
w <sub>2</sub>	40	#5	4'-0"	—
Structure Excavation		Cu. Yd.	200	
Concrete Structures		Cu. Yd.	51	
Reinforcement Bars		Pound	5,052	
Porous Granular Embankment, Special		Cu. Yd.	60	
Limestone Masonry Veneer		Sq. Ft.	402	
Pipe Undrains for Structures, 4"		Foot	136	
Geocomposite Wall Drain		Sq. Yd.	60	
Bituminous Coated Aggregate Slope Wall		Sq. Yd.	17.2	

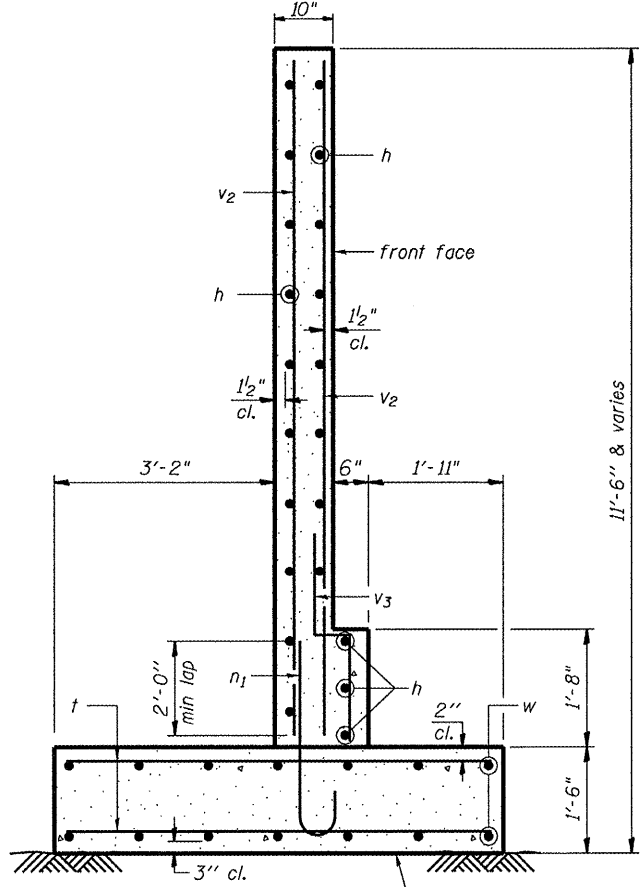
Footings for abutment and wingwalls shall be poured monolithically.  
 All corners shall have a 3/4" chamfer unless otherwise noted.

f'c = 3,500 psi (concrete)  
 fy = 60,000 psi (reinforcement)

Maximum soil bearing pressure = 1.9 ksf.  
 Prior to pouring footings the soil shall be tested by a geotechnical engineer for adequate bearing capacity.

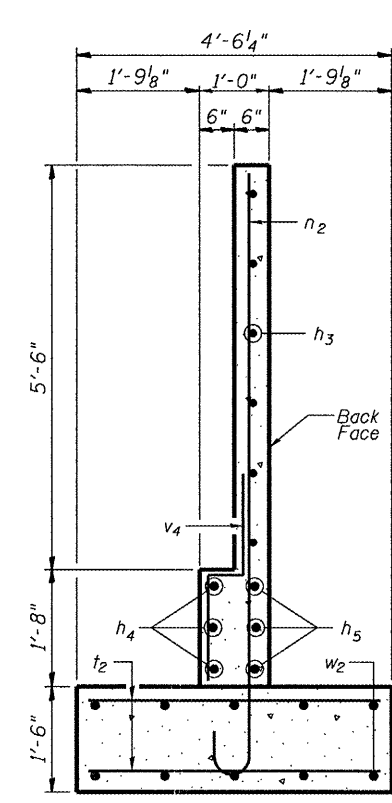


**SECTION A-A**

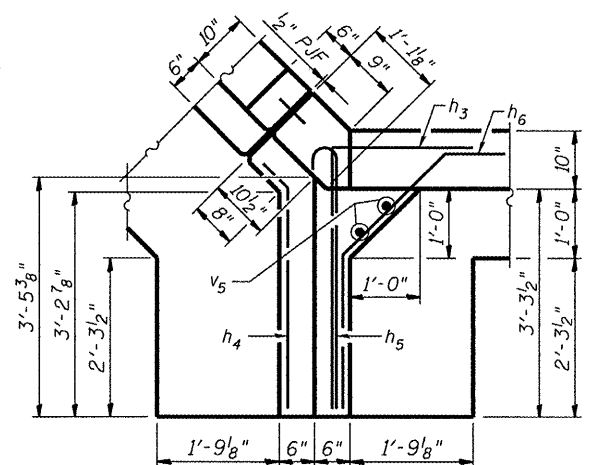


**SECTION B-B**

El. 533.82 (West Abutment)  
 El. 533.75 (East Abutment)



**SECTION C-C**

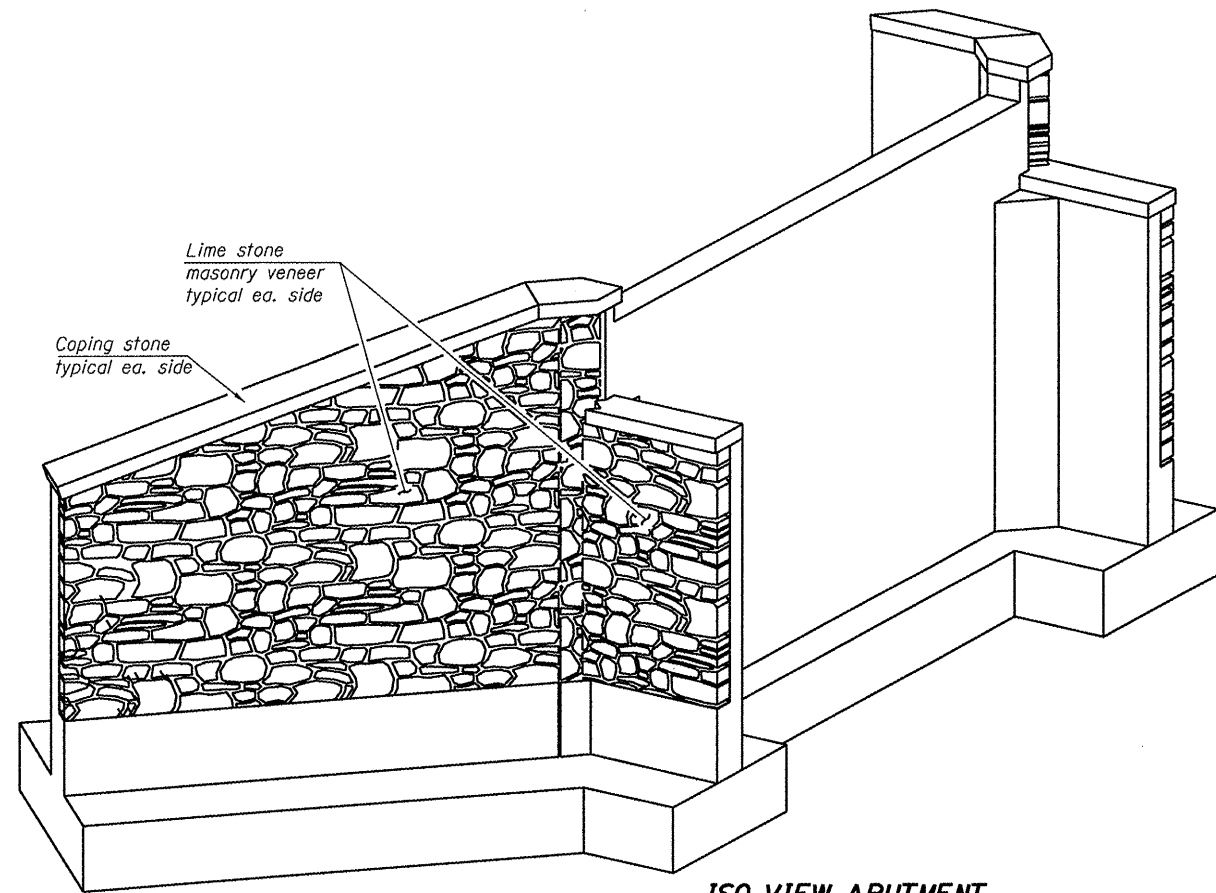


**CORNER DETAIL**

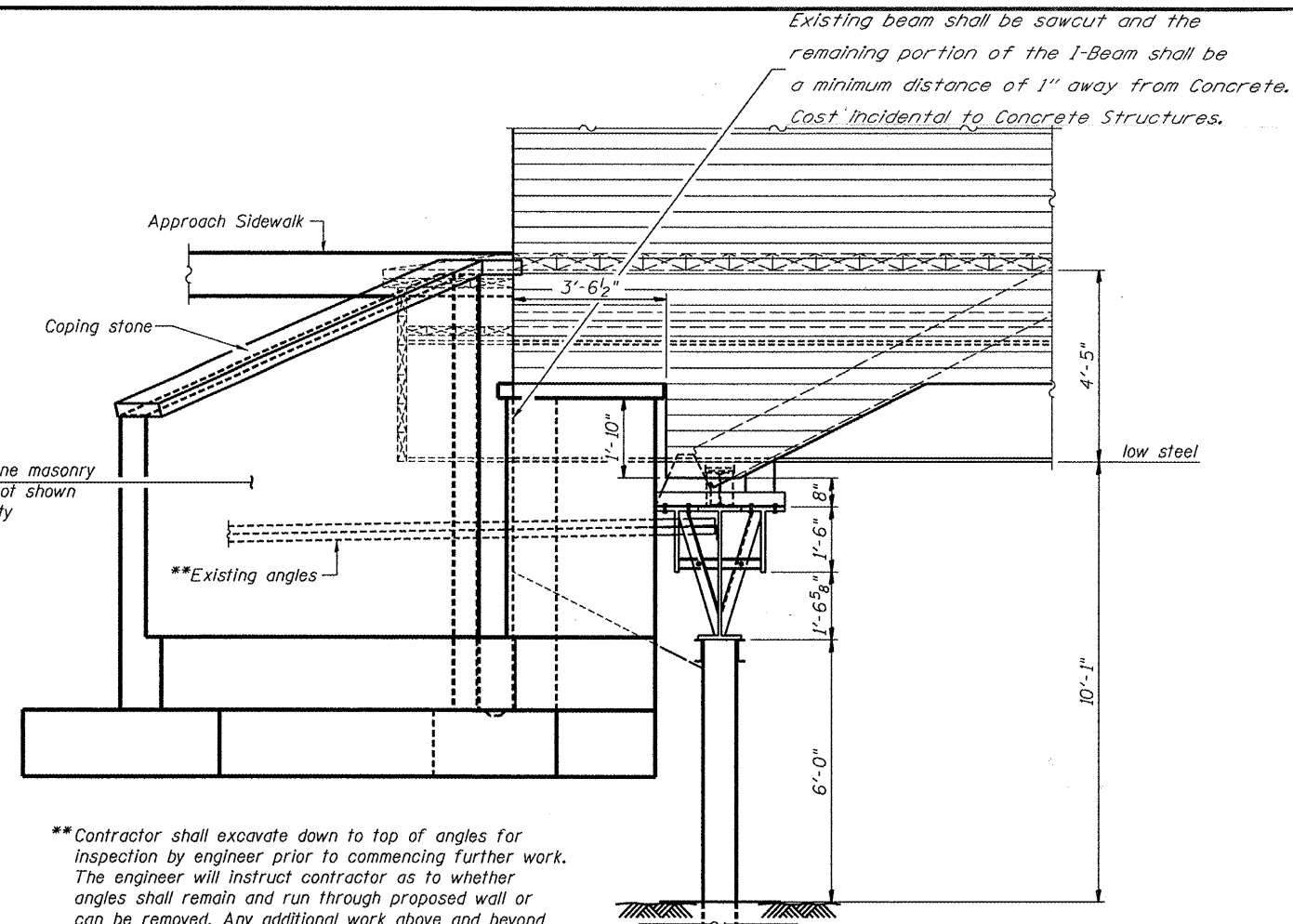
(Concrete wall returns shall be poured monolithically with abutment walls.)

**EAST & WEST ABUTMENT DETAILS  
 OQUAWKA WAGON COVERED BRIDGE  
 S.N. 036-0031  
 SECTION 114RA  
 ROUTE FAP 657 (IL 164)  
 JOB NUMBER D-94-070-08  
 HENDERSON COUNTY  
 WHA # 1159D09**

STRUCTURAL SHEET NO. 2 OF 3 SHEETS	F.A. RTE.	SECTION	COUNTY	TOTAL SHEETS	SHEET NO.
		114RA	HENDERSON	21	9
			CONTRACT NO. <b>68828</b>		
FED. ROAD DIST. NO. - ILLINOIS FED. AID PROJECT					

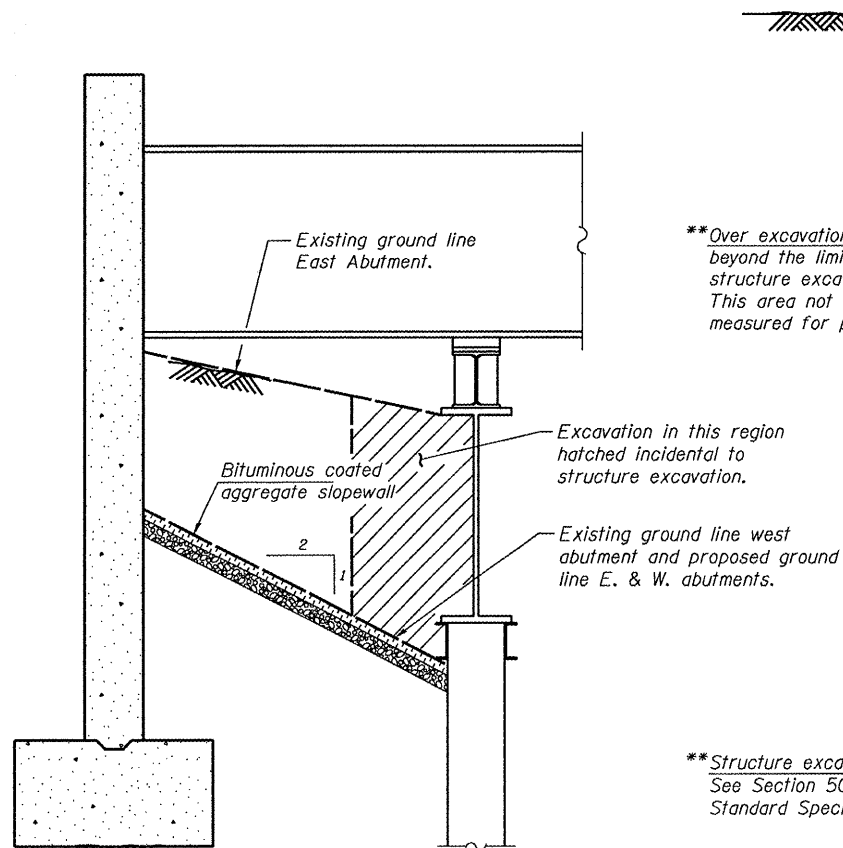


**ISO VIEW ABUTMENT**

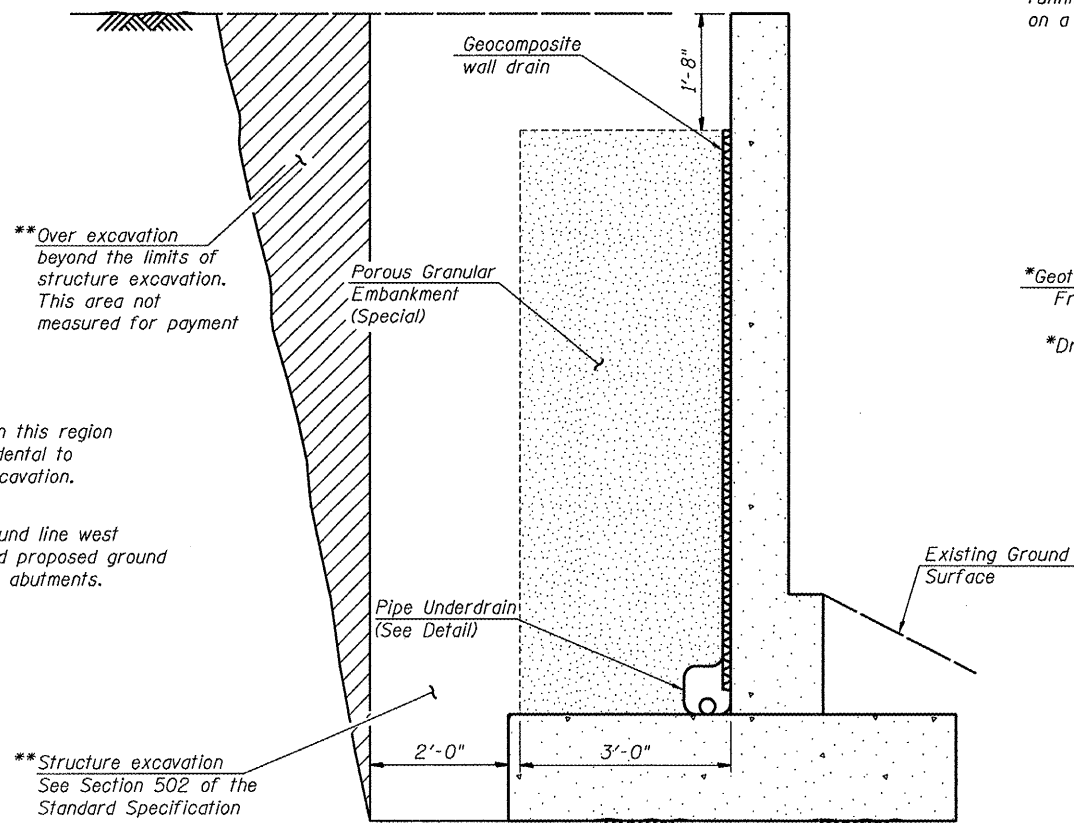


**SECTION X-X**

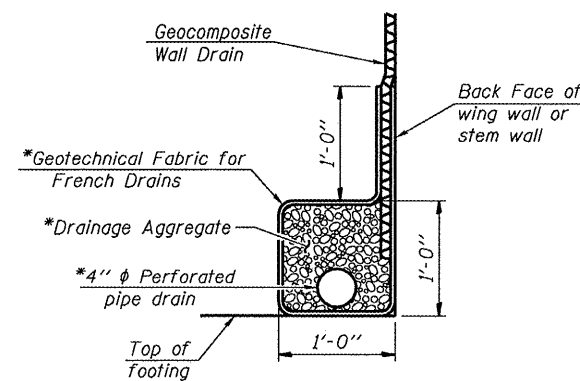
\*\*Contractor shall excavate down to top of angles for inspection by engineer prior to commencing further work. The engineer will instruct contractor as to whether angles shall remain and run through proposed wall or can be removed. Any additional work above and beyond running angles through proposed wall shall be paid for on a force account basis.



**SECTION THRU ABUTMENT**



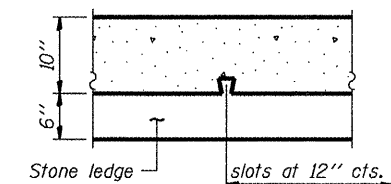
**SECTION THRU T-TYPE WALL OR CLOSED ABUTMENT**



**PIPE UNDERDRAIN DETAIL**

\*Included in the cost of "Pipe Underdrains for Structures"

\*\*Backfill remainder of structure excavation and over excavation with same material specified for roadway embankment



**DOVETAIL ANCHOR DETAIL**  
(At stone facing locations)

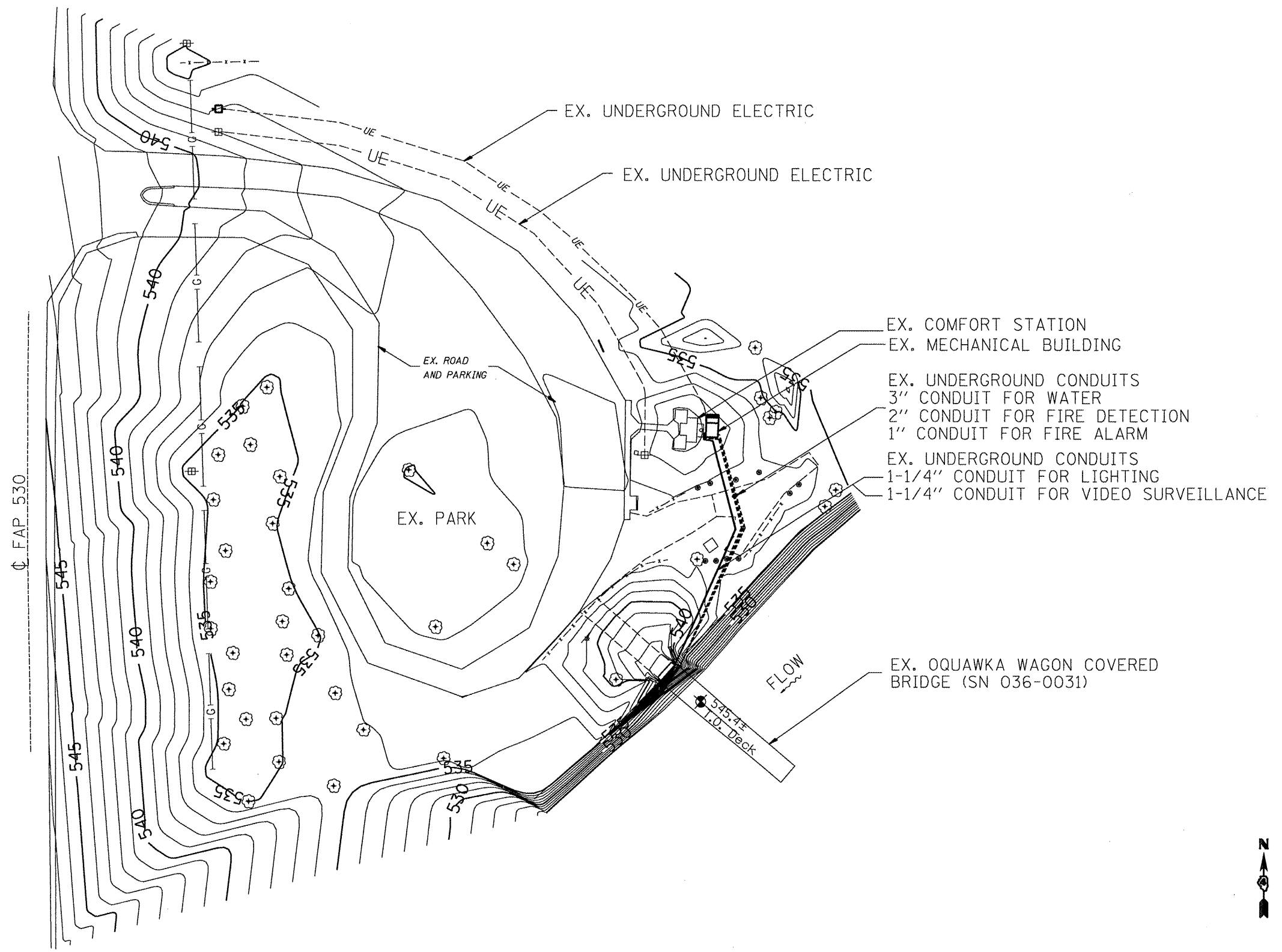
**EAST & WEST ABUTMENT DETAILS**  
**OQUAWKA WAGON COVERED BRIDGE**  
 S.N. 036-0031  
 SECTION 114RA  
 ROUTE FAP 657 (IL 164)  
 JOB NUMBER D-94-070-08  
 HENDERSON COUNTY

WHA# 1159D09

STRUCTURAL SHEET NO. 3 OF 3 SHEETS	F.A. RTE.	SECTION	COUNTY	TOTAL SHEETS	SHEET NO.
		114RA	HENDERSON	21	10
CONTRACT NO. 68823					
FED. ROAD DIST. NO. ILLINOIS FED. AID PROJECT					

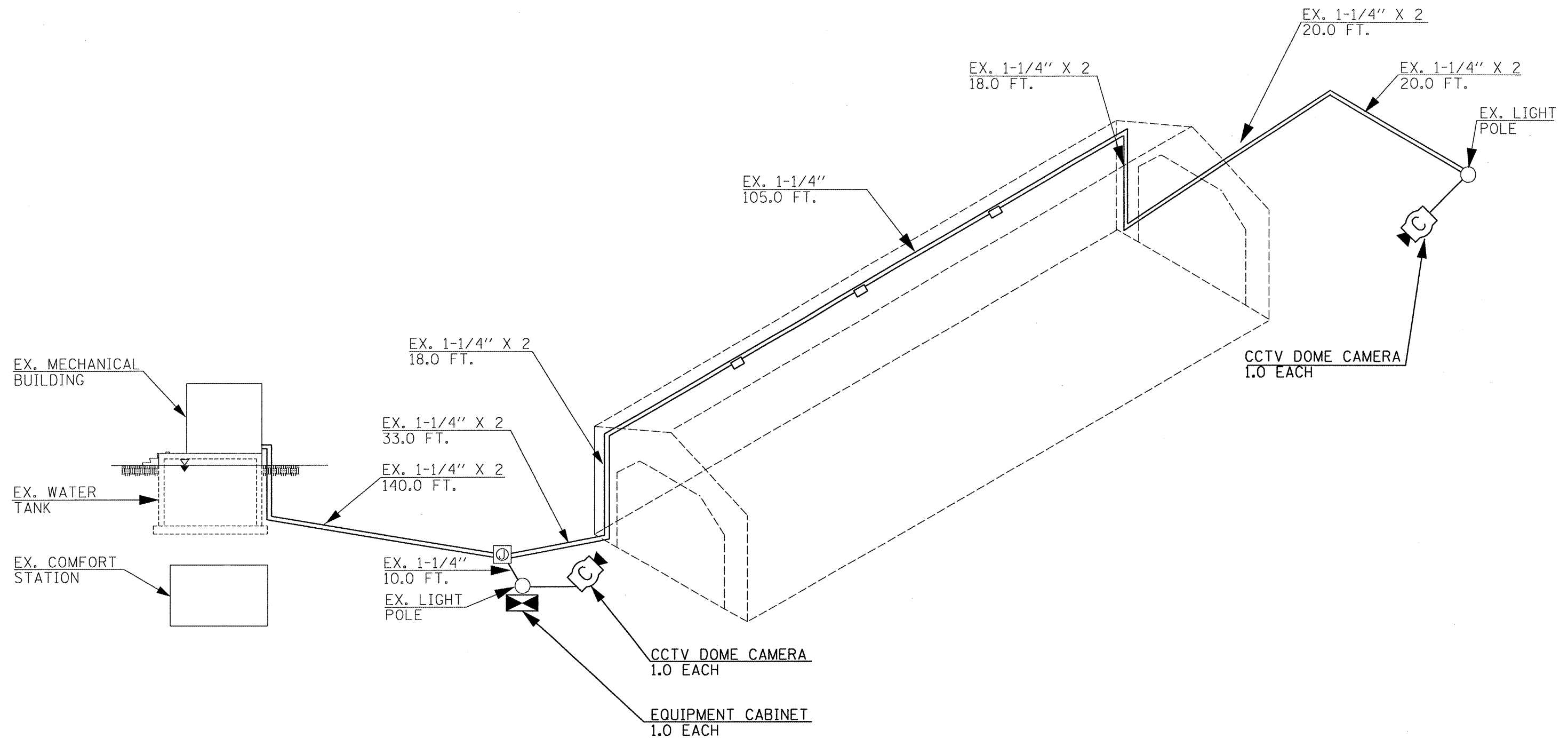
SCHEDULE OF QUANTITIES OQUAWKA COVERED BRIDGE VIDEO SURVEILLANCE SYSTEM			
ITEM	UNIT	QTY.	COMMENTS
ELECTRIC CABLE IN CONDUIT, 600V, (XLP-TYPE USE) 1/C NO. 10	FOOT	334.0	
REMOVE EXISTING SURVEILLANCE CAMERA EQUIPMENT	EACH	1.0	
CLOSED CIRCUIT TELEVISION DOME CAMERA	EACH	2.0	
SUPPORT EQUIPMENT AND MAINTENANCE	LSUM	1.0	MATERIAL ONLY
CLOSED CIRCUIT TELEVISION DOME CAMERA (MATERIAL ONLY)	EACH	2.0	MATERIAL ONLY
COMPUTER WORKSTATION	EACH	2.0	MATERIAL ONLY
ETHERNET SWITCH (MATERIAL ONLY)	EACH	4.0	MATERIAL ONLY
REMOTE POWER MANAGEMENT UNIT	EACH	1.0	MATERIAL ONLY
EQUIPMENT CABINET	EACH	1.0	
VIDEO SERVER	EACH	2.0	MATERIAL ONLY
DIGITAL VIDEO DECODER	EACH	4.0	MATERIAL ONLY
CAT 5 ETHERNET CABLE	FOOT	1037.0	
UNINTERRUPTIBLE POWER SUPPLY	EACH	1.0	MATERIAL ONLY

CONSTRUCTION NOTES	
1.	ANY MAINTENANCE OF THE EXISTING VIDEO SURVEILLANCE SYSTEM WILL BE CONSIDERED EXTRA WORK IN ACCORDANCE WITH ARTICLE 109.04 OF THE STANDARD SPECIFICATIONS.
2.	THE LOCATION OF ALL UTILITIES AND PRIVATELY OWNED FACILITIES SHALL BE FIELD VERIFIED BY THE CONTRACTOR PRIOR TO THE INSTALLATION OF ANY COMPONENTS.
3.	THE CONTRACTOR SHALL BE RESPONSIBLE FOR LOCATING EXISTING IDOT ELECTRICAL FACILITIES AT HIS/HER OWN EXPENSE IF REQUIRED. THE CONTRACTOR SHALL ALSO BE LIABLE FOR ANY DAMAGE TO IDOT FACILITIES RESULTING FROM INACCURATE LOCATING.
4.	ELECTRICAL WORK SHALL CONFORM WITH NATIONAL, STATE, AND LOCAL CODES.
5.	THE CONTRACTOR SHALL PROVIDE ELECTRICAL CABLE SLACK IN ACCORDANCE WITH ARTICLE 873.03.
6.	ELECTRICAL CABLE WILL BE MEASURED FOR PAYMENT IN ACCORDANCE WITH ARTICLE 873.04.
7.	ALL SURPLUS MATERIALS SHALL BE DISPOSED OF IN ACCORDANCE WITH ARTICLE 202.03 OF THE STANDARD SPECIFICATIONS.



FOR INFORMATION ONLY

FILE NAME =	USER NAME = longsr	DESIGNED -	REVISED -	<b>STATE OF ILLINOIS DEPARTMENT OF TRANSPORTATION</b>	<b>OQUAWKA COVERED BRIDGE REST AREA SITE PLAN</b>	F.A.P. RTE.	SECTION	COUNTY	TOTAL SHEETS	SHEET NO.	
D468828-Oquawka Video Surveillance-Final	5-10-10.dgn	DRAWN -	REVISED -			657	(114RA1)	HENDERSON	21	12	
PLOT SCALE = 75.1768' / IN.		CHECKED -	REVISED -			CONTRACT NO. 68828		ILLINOIS FED. AID PROJECT			
PLOT DATE = 6/10/2010		DATE -	REVISED -			SCALE: 1"=30'	SHEET NO. ___ OF ___ SHEETS	STA. _____ TO STA. _____			



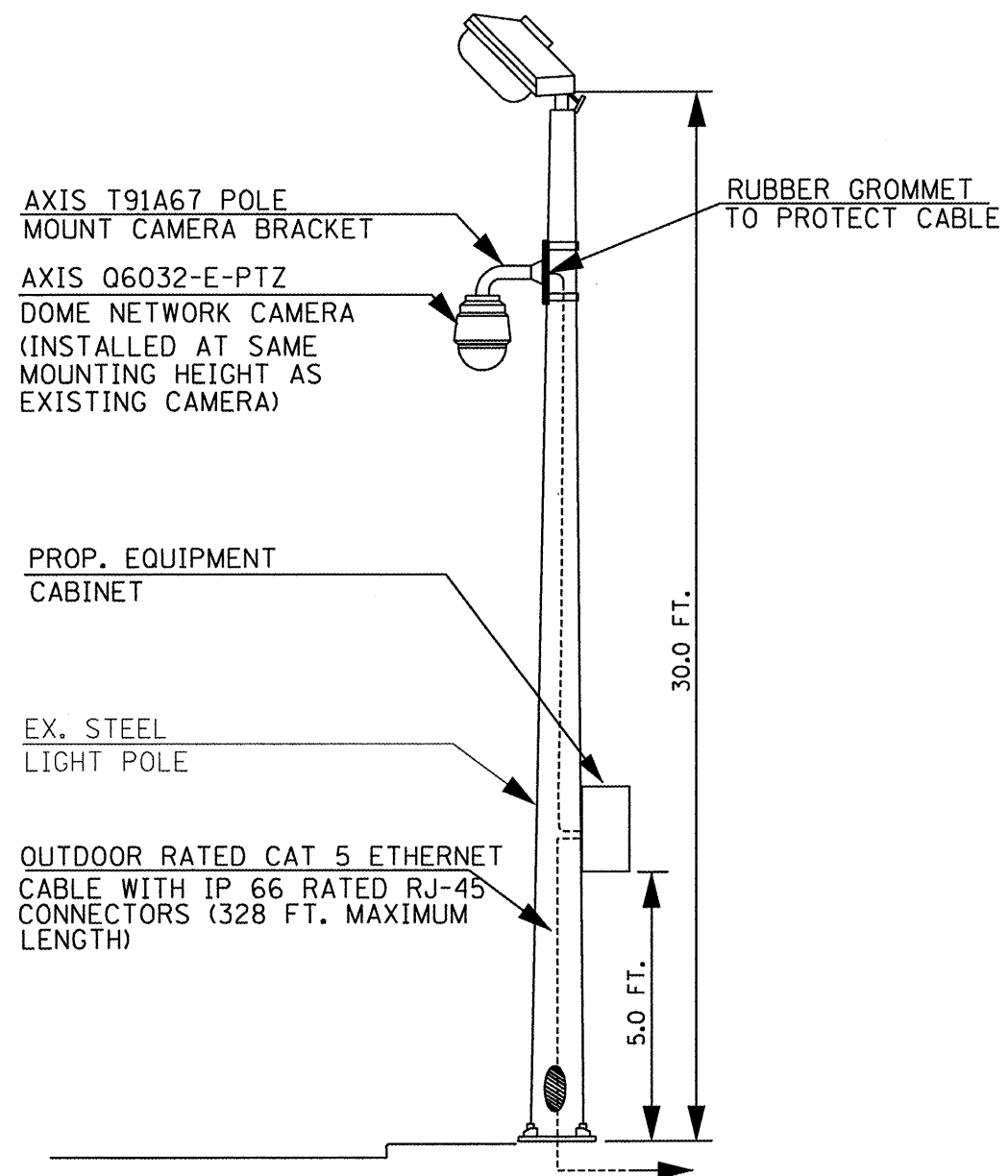
**NOTE:**

THE CONTRACTOR WILL NOT BE PERMITTED TO DRIVE VEHICLES AND OTHER EQUIPMENT ACROSS THE BRIDGE. THERE IS AN ALTERNATE ROUTE AVAILABLE TO THE OTHER SIDE OF THE BRIDGE.

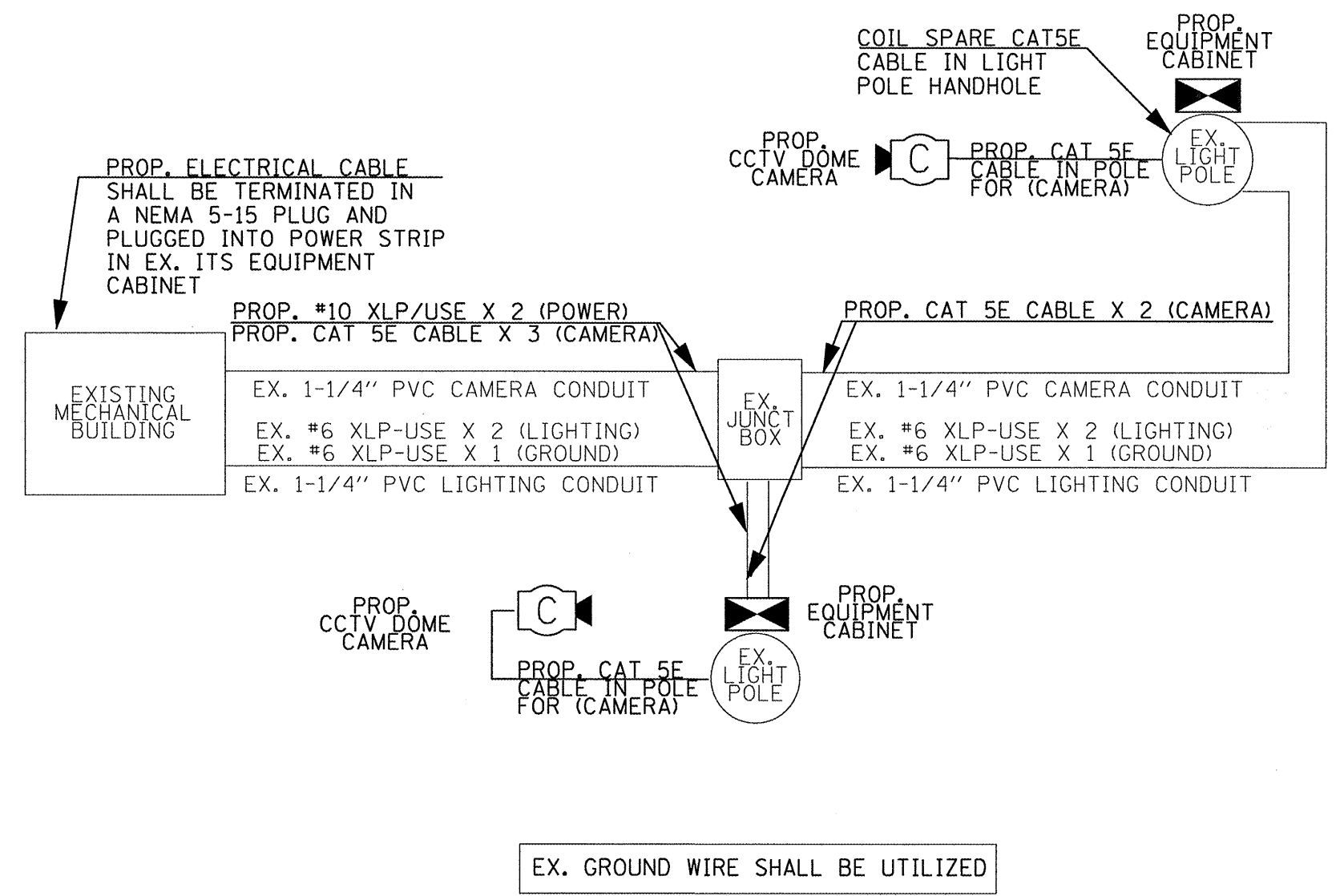
**BILL OF MATERIALS**

ELECTRIC CABLE IN CONDUIT, 600V, (XLP-TYPE USE) 1/C NO. 10	FOOT	334.0
CLOSED CIRCUIT TELEVISION DOME CAMERA	EACH	2.0
EQUIPMENT CABINET	EACH	1.0
CAT 5 ETHERNET CABLE	FOOT	1037.0

PROPOSED CCTV CAMERA MOUNTING DETAIL



PROPOSED CCTV CAMERA WIRING SCHEMATIC

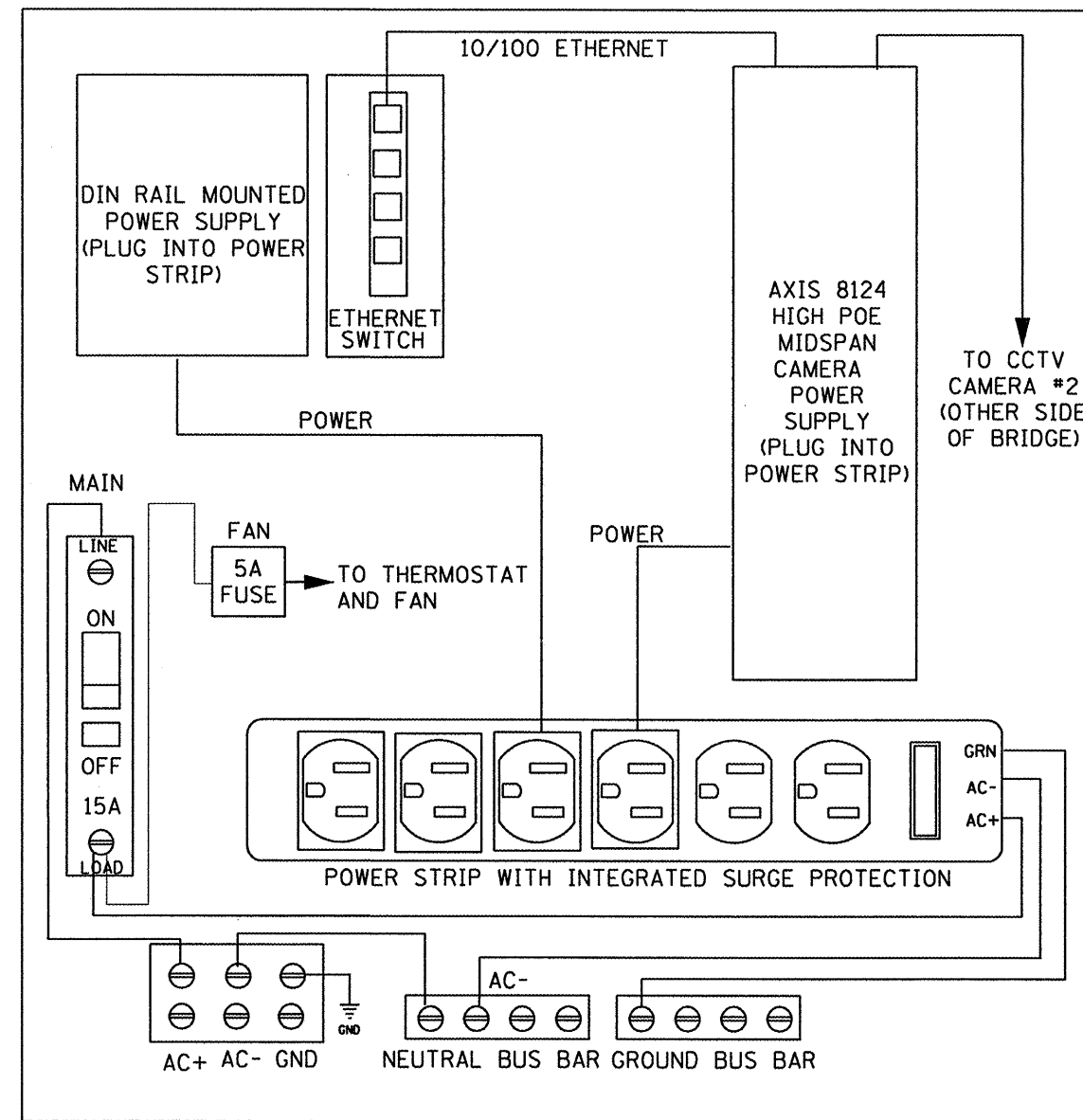
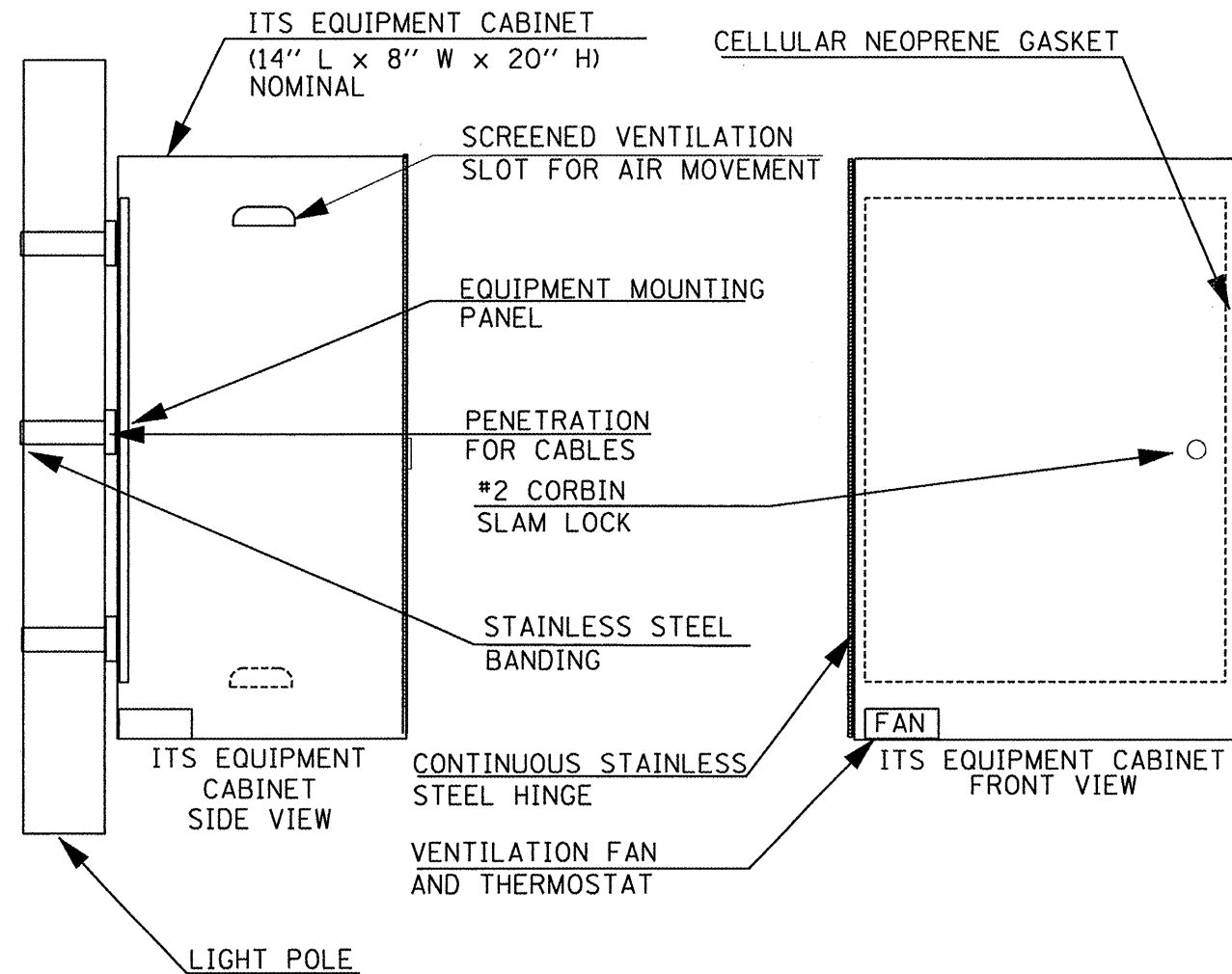


NOTES:

1. THE DEPARTMENT WILL PROGRAM THE CCTV CAMERAS PRIOR TO INSTALLATION.
2. THE DEPARTMENT WILL INSPECT AND TEST THE CAT 5 ETHERNET CABLE PRIOR TO INSTALLATION.
3. THE DEPARTMENT WILL CONNECT THE PROPOSED CCTV CAMERAS TO THE ITS NETWORK AND INTEGRATE THEM INTO THE EXISTING ITS VIDEO SUBSYSTEM.

FILE NAME =	USER NAME = longsr	DESIGNED -	REVISED -	<b>STATE OF ILLINOIS DEPARTMENT OF TRANSPORTATION</b>	<b>PROPOSED CAMERA MOUNTING INSTALLATION DETAIL PROPOSED CAMERA WIRING SCHEMATIC</b>	F.A.P. RTE.	SECTION	COUNTY	TOTAL SHEETS	SHEET NO.	
D468828-0quewa Video Surveillance-Fina	5-18-10.dgn	DRAWN -	REVISED -			657	(114RA)I	HENDERSON	21	14	
PLOT SCALE = 75.1788' / IN.	CHECKED -	REVISED -	REVISED -			CONTRACT NO. 68828		ILLINOIS FED. AID PROJECT			
PLOT DATE = 6/10/2010	DATE -	REVISED -	REVISED -			SCALE: NONE	SHEET NO. __ OF __ SHEETS	STA. _____ TO STA. _____			

THE POWER SUPPLY FOR CAMERA #1 WILL BE INSTALLED IN THE EXISTING EQUIPMENT CABINET LOCATED IN THE MECHANICAL BUILDING.



ITS EQUIPMENT CABINET POWER PANEL DETAIL  
(POWER PANEL TO BE EQUIPPED WITH PLEXI-GLASS SAFETY SHIELD)

NOTES

1. THE ITS EQUIPMENT CABINET SHALL BE A NEMA TYPE 3R CABINET WITH MINIMUM OUTSIDE DIMENSIONS OF 14" (H) X 8" (W) X 20" (D). THE CABINET SHALL BE CONSTRUCTED FROM .125" THICK ALUMINUM AND HAVE A NATURAL FINISH.
2. THE CABINET SHALL BE FURNISHED WITH A NEOPRENE DOOR GASKET, AIR VENT LOUVERS, CONTINUOUS STAINLESS STEEL DOOR HINGE, #2 CORBIN SLAM LOCK, ALL STAINLESS STEEL HARDWARE, A THERMOSTATICALLY CONTROLLED VENTILATION FAN, AND DELUXE PLEATED FILTER.
3. WHEN INSTALLING THE EQUIPMENT CABINET ON THE EXISTING LIGHT POLE, THE CONTRACTOR SHALL DRILL A 1" DIAMETER HOLE IN THE POLE AND CABINETS, INSTALL A WEATHERPROOF NIPPLE, PLASTIC BUSHINGS, AND UTILIZE SILICONE CAULKING AROUND THE PERIMETER OF THE CABINET TO PREVENT WATER INTRUSION. THE COST OF THIS WORK SHALL BE INCLUDED IN THE UNIT BID PRICE FOR THE EQUIPMENT CABINET. NO OTHER CABINET PENETRATIONS SHALL BE ALLOWED TO MINIMIZE THE POTENTIAL FOR WATER INTRUSION.

FILE NAME =	USER NAME = longsr	DESIGNED -	REVISED -	<b>STATE OF ILLINOIS DEPARTMENT OF TRANSPORTATION</b>	<b>PROPOSED ITS EQUIPMENT CABINET DETAIL</b>	F.A.P. RTE.	SECTION	COUNTY	TOTAL SHEETS	SHEET NO.	
D468828-Dqavka Video Surveillance-Final	5-10-10.dgn	DRAWN -	REVISED -			657	(114RAI)	HENDERSON	21	15	
	PLOT SCALE = 75.1788 ' / IN.	CHECKED -	REVISED -			CONTRACT NO. 68828					
	PLOT DATE = 6/10/2010	DATE -	REVISED -			ILLINOIS FED. AID PROJECT					
						SCALE: NONE	SHEET NO. ___ OF ___ SHEETS	STA. _____ TO STA. _____			

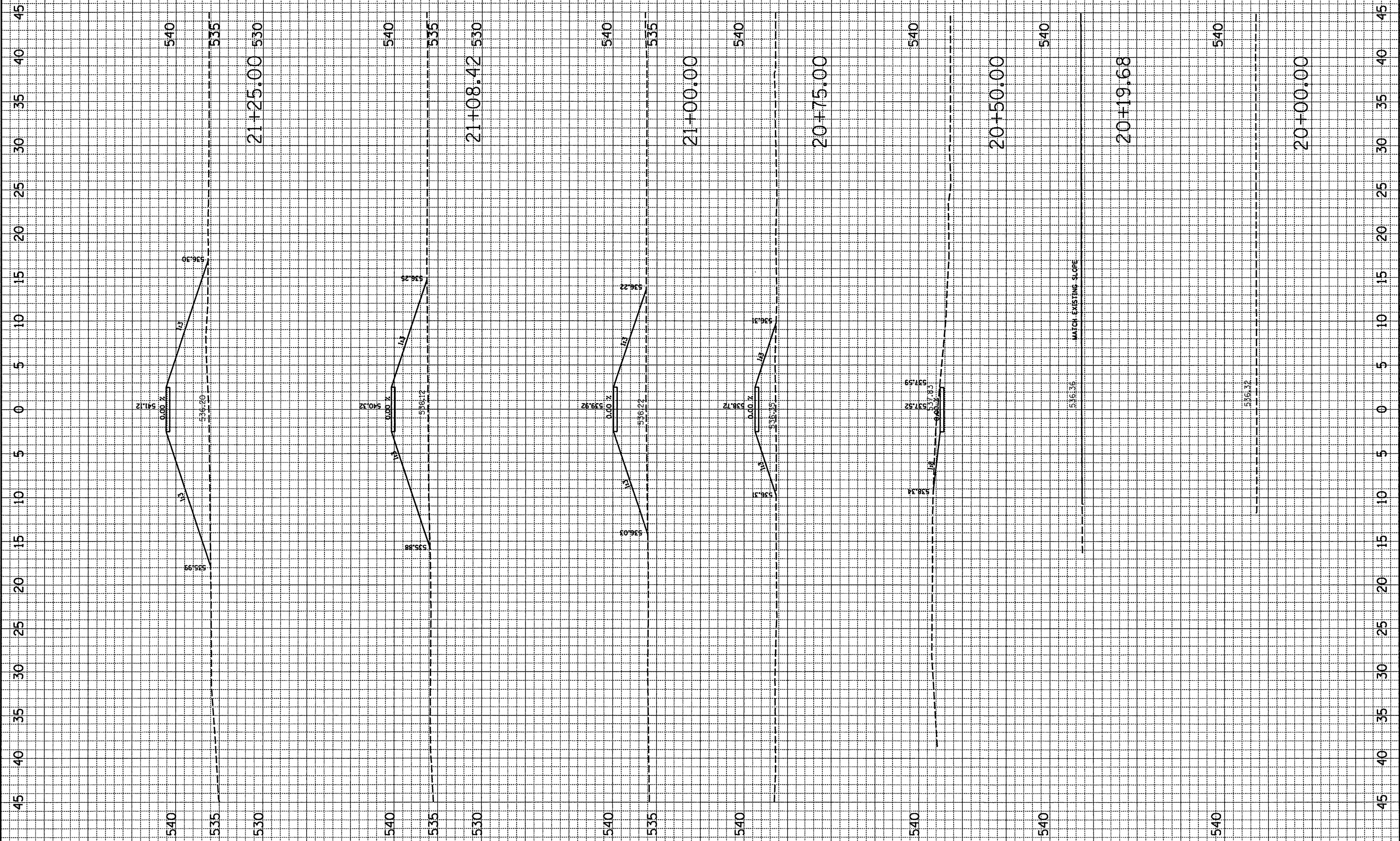




FINAL SURVEY	DESIGNED	BY	DATE
NOTE BOOK NO.	PLOTTED		
	TEMPLATE		
	AREAS CHECKED		

ORIGINAL SURVEY	DESIGNED	BY	DATE
NOTE BOOK NO.	PLOTTED		
	TEMPLATE		
	AREAS CHECKED		

FILE NAME = s:\p0000\11048\11048\Station\11048\_21.stn



USER NAME =	DESIGNED -	REVISED -
PLOT SCALE =	DRAWN -	REVISED -
PLOT DATE =	CHECKED -	REVISED -
	DATE -	REVISED -

**Illinois Department of Transportation**  
Route FAP 657 (IL 164)  
**Oquawka Wagon Covered Bridge**

**SIDEWALK RAMP - CROSS SECTIONS**

F.A. RTE.	SECTION	COUNTY	TOTAL SHEETS	SHEET NO.
	114RA	HENDERSON	21	17
STA. 20+00.00 TO STA. 21+25.00		CONTRACT NO.		
FED. ROAD DIST. NO. ILLINOIS FED. AID PROJECT				

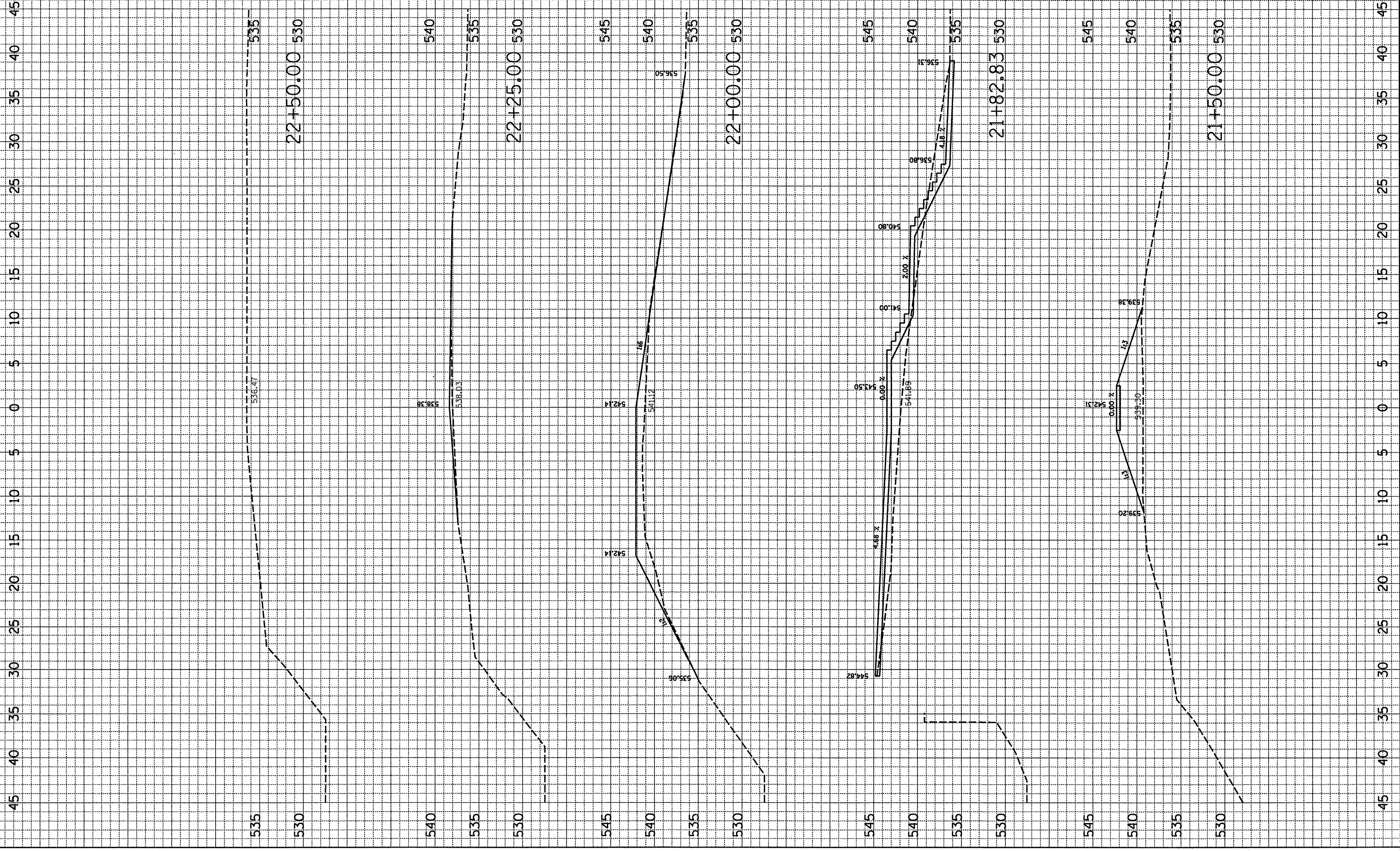
FINAL SURVEY  
 CHECKED  
 PLOTTED  
 NOTE BOOK  
 TEMPLATE  
 AREAS  
 CHECKED

ORIGINAL SURVEY  
 CHECKED  
 PLOTTED  
 NOTE BOOK  
 TEMPLATE  
 AREAS  
 CHECKED

BY \_\_\_\_\_  
 DATE \_\_\_\_\_

BY \_\_\_\_\_  
 DATE \_\_\_\_\_

FILE NAME = s:\transport\11648686\sectors\sidewalk\c221818a.dgn



USER NAME =	DESIGNED -	REVISED -
PLOT SCALE =	DRAWN -	REVISED -
PLOT DATE =	CHECKED -	REVISED -
	DATE -	REVISED -

**Illinois Department of Transportation**  
 Route FAP 657 (IL 164)  
 Oquawka Wagon Covered Bridge

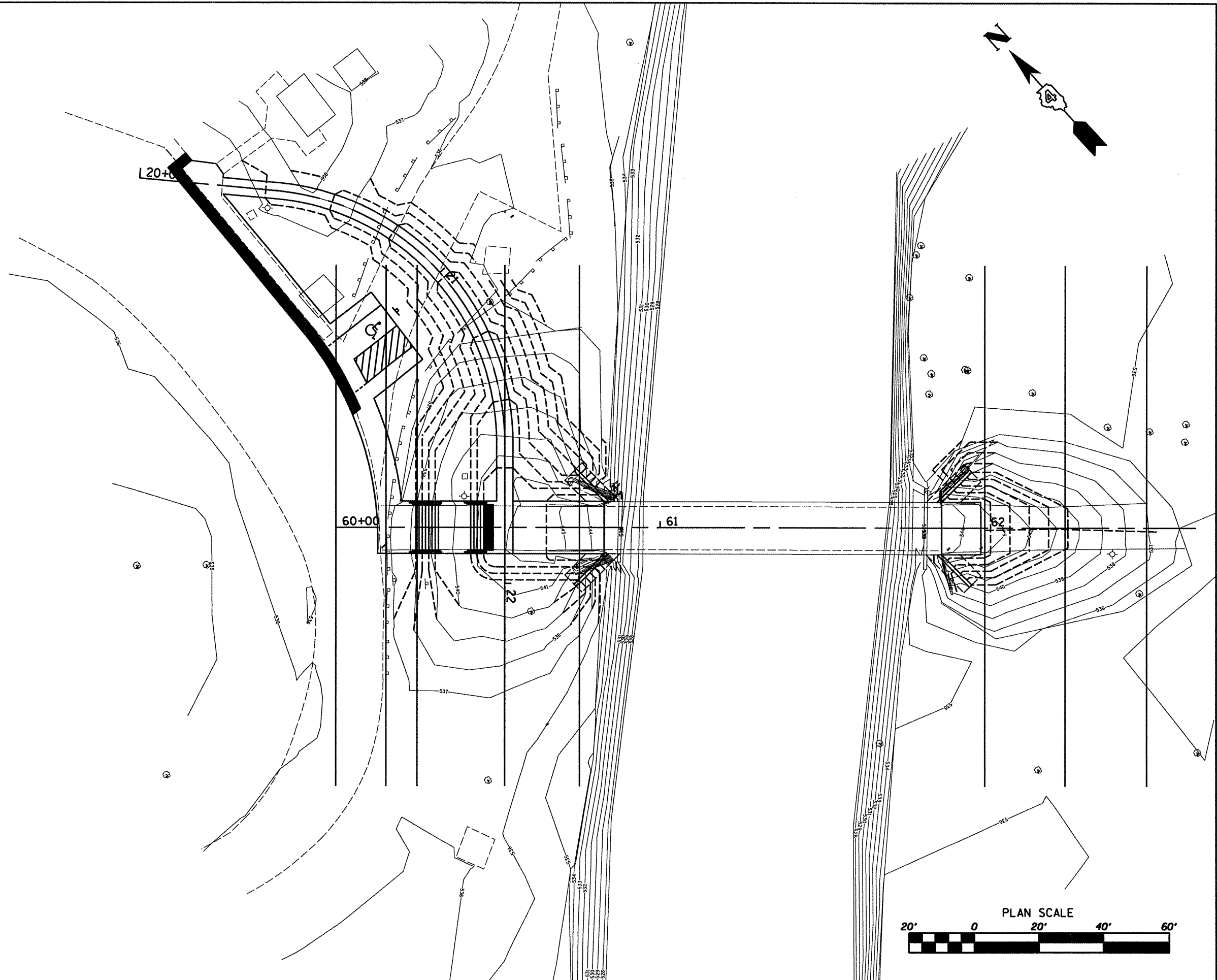
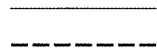
**SIDEWALK RAMP - CROSS SECTIONS**

F.A. RTE.	SECTION	COUNTY	TOTAL SHEETS	SHEET NO.
	114RA	HENDERSON	21	18
STA. 21+50.00 TO STA. 22+50.00		CONTRACT NO.		
FED. ROAD DIST. NO. - ILLINOIS FED. AID PROJECT				

PLAN	DESIGNED	DATE
	BY	
	CHECKED	
	ALIGNED	
	CHECKED	
	PLOTTED	
	FILE NAME	
	PAID FILE NAME	
	NO.	

PROFILE	DESIGNED	DATE
	BY	
	CHECKED	
	GRADES	
	CHECKED	
	STRUCK	
	NOTATION	
	CHFD	
	NO.	

S:\Struct\118090107\118090107\118090107\118090107.dgn



USER NAME *	DESIGNED -	REVISED -
	DRAWN -	REVISED -
PLOT SCALE *	CHECKED -	REVISED -
PLOT DATE *	DATE -	REVISED -

**Illinois Department of Transportation**  
 Route FAP 657 (IL 164)  
 Oquawka Wagon Covered Bridge

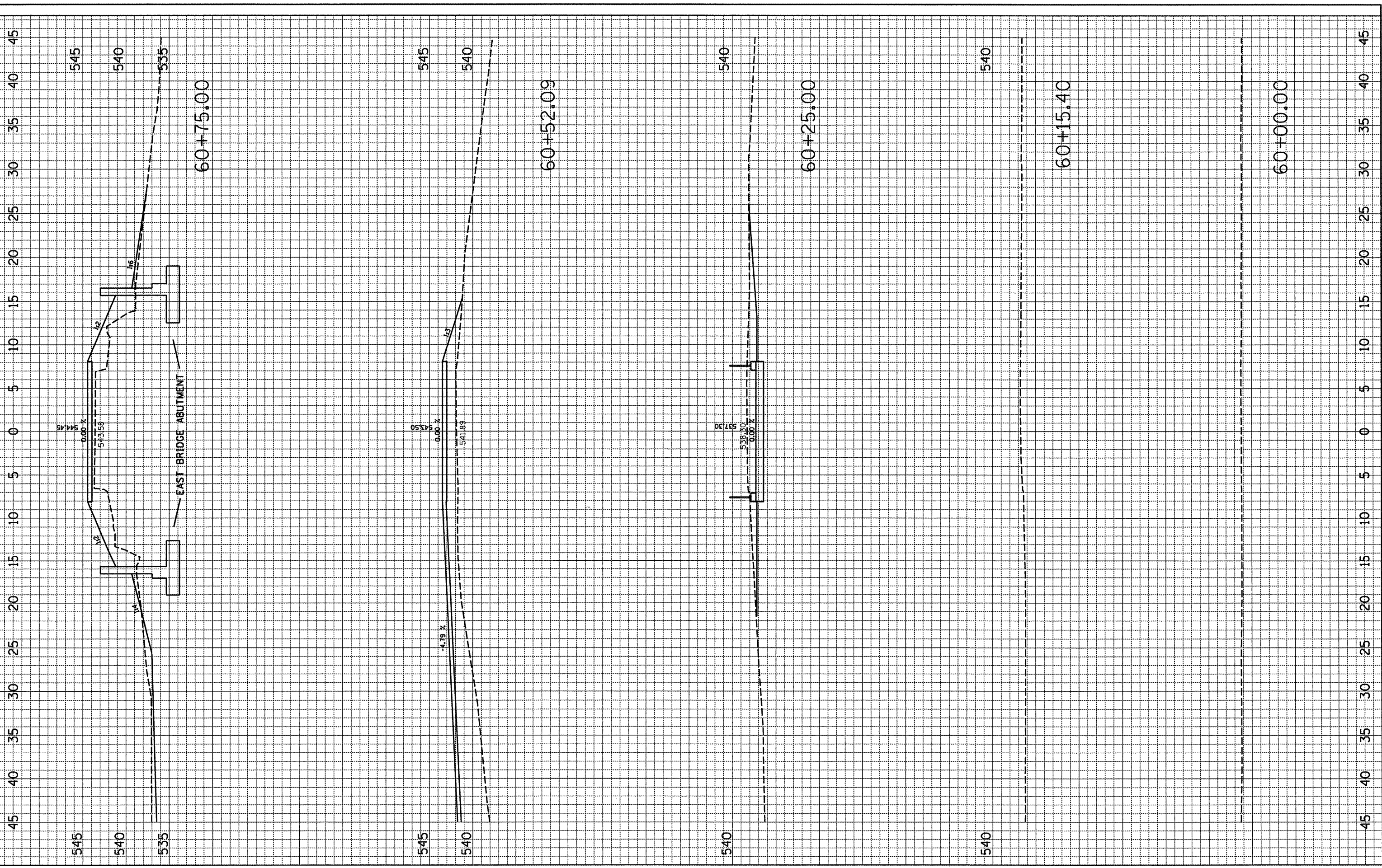
**STAIRS CROSS SECTION LINES**

F.A. RTE.	SECTION	COUNTY	TOTAL SHEETS	SHEET NO.
	114RA	HENDERSON	21	19
STA.	TO STA.	CONTRACT NO.		
FED. ROAD DIST. NO. - ILLINOIS FED. AID PROJECT				

FINAL SURVEY NO.	SURVEY BOOK NO.	DATE

ORIGINAL SURVEY NO.	SURVEY BOOK NO.	DATE

FILE NAME = S:\SIBRA\118080807ADAN\Title Design\118080807.dgn



USER NAME =	DESIGNED -	REVISED -
PLOT SCALE =	DRAWN -	REVISED -
PLOT DATE =	CHECKED -	REVISED -
	DATE -	REVISED -

Illinois Department of Transportation  
Route FAP 657 (IL 164)  
Oquawka Wagon Covered Bridge

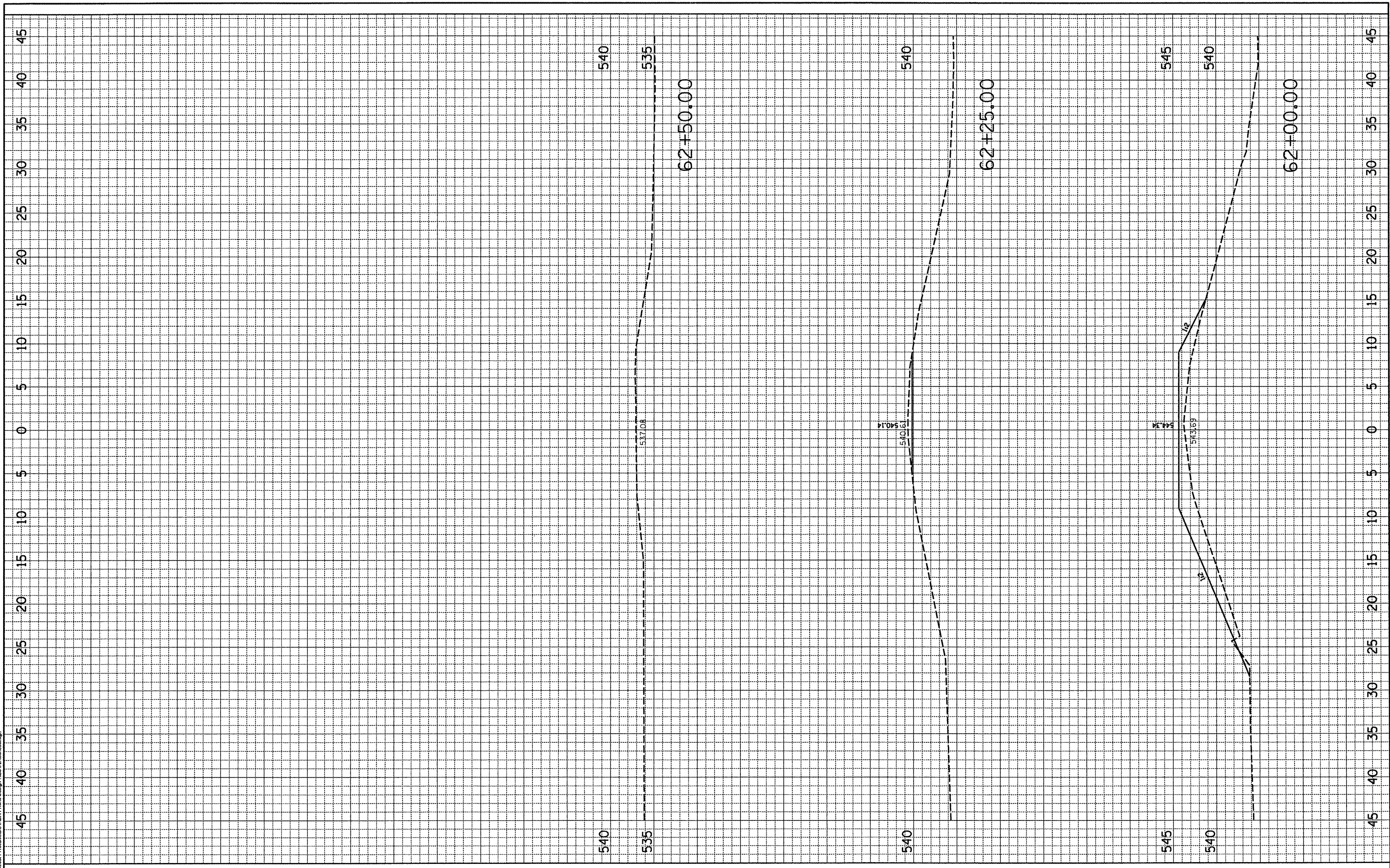
**STAIRS - CROSS SECTIONS**

F.A. RTE.	SECTION	COUNTY	TOTAL SHEETS	SHEET NO.
	114RA	HENDERSON	21	20
STA. 60+00.00 TO STA. 60+75.00		CONTRACT NO.		
FED. ROAD DIST. NO. - [ILLINOIS] FED. AID PROJECT				

FINAL SURVEY	DESIGNED	BY	DATE
NOTE BOOK NO.	PLOTTED		
	TEMPLATE		
	AREAS CHECKED		

ORIGINAL SURVEY	DESIGNED	BY	DATE
NOTE BOOK NO.	PLOTTED		
	TEMPLATE		
	AREAS CHECKED		

FILE NAME: S:\BRIDGE\1168000\DOTDATA\Trans Design\1168000.dwg



USER NAME =	DESIGNED -	REVISED -
PLOT SCALE =	DRAWN -	REVISED -
PLOT DATE =	CHECKED -	REVISED -
	DATE -	REVISED -

**Illinois Department of Transportation**  
Route FAP 657 (IL 164)  
Oquawka Wagon Covered Bridge

**STAIRS - CROSS SECTIONS**

F.A. RTE.	SECTION	COUNTY	TOTAL SHEETS	SHEET NO.
	114RA	HENDERSON	21	21
STA. 62+00.00 TO STA. 62+50.00		CONTRACT NO.		
FED. ROAD DIST. NO. - ILLINOIS FED. AID PROJECT				