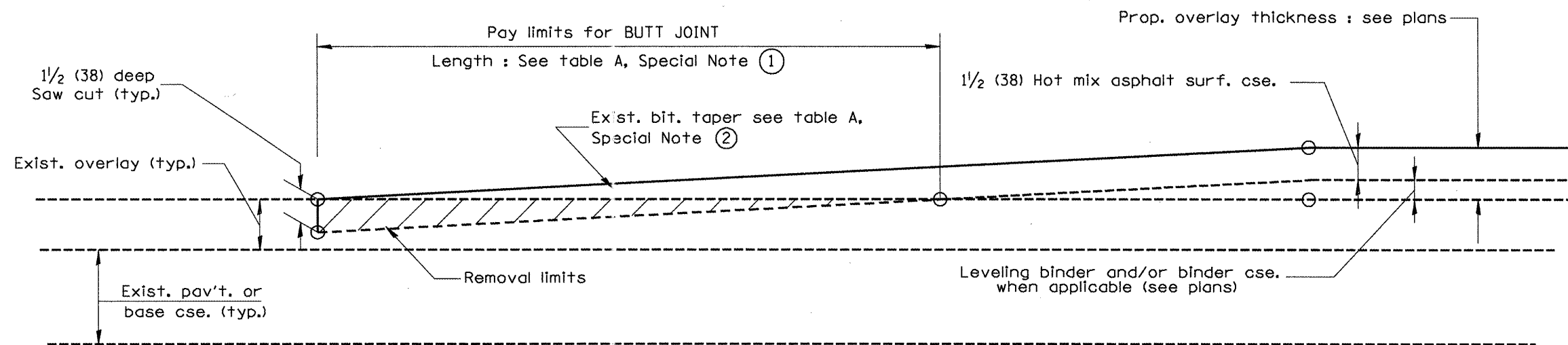
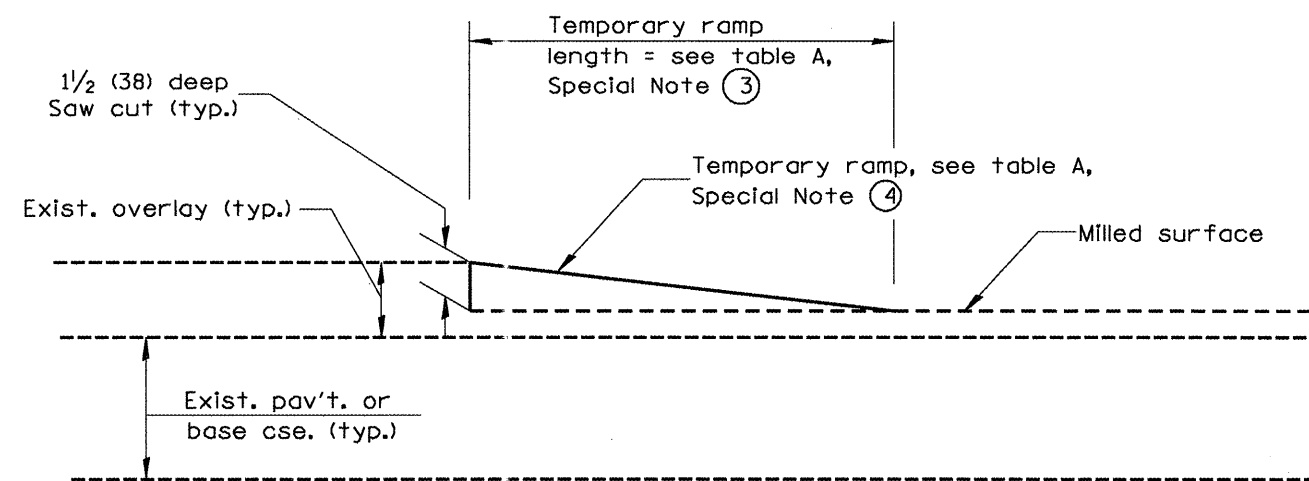


**CASE 3 : WITH HOT MIX ASPHALT SURFACE REMOVAL (COLD MILLING)
TIE-IN TO EXISTING BITUMINOUS TAPER**



**CASE 4 : NO HOT MIX ASPHALT SURFACE REMOVAL (COLD MILLING)
TIE-IN TO EXISTING BITUMINOUS TAPER**



DETAIL TEMPORARY RAMP

All dimensions are in inches (millimeters) unless otherwise noted.

| | | | | STATE OF ILLINOIS DEPARTMENT OF TRANSPORTATION | | BUTT JOINTS | | SHT. 2 OF 3 CADD STD. 406101-D4 | | <table border="1"> <tr> <th>F.A. RTE.</th> <th>SECTION</th> <th>COUNTY</th> <th>TOTAL SHEETS</th> <th>SHEET NO.</th> </tr> <tr> <td>N/A</td> <td>D4 MAINT YARD REPAIR</td> <td>STARK</td> <td>9</td> <td>8</td> </tr> </table> | | F.A. RTE. | SECTION | COUNTY | TOTAL SHEETS | SHEET NO. | N/A | D4 MAINT YARD REPAIR | STARK | 9 | 8 |
|-----------|----------------------|--------|--------------|---|--|--------------------|--|---|--|--|--|-----------|---------|--------|--------------|-----------|-----|----------------------|-------|---|---|
| F.A. RTE. | SECTION | COUNTY | TOTAL SHEETS | SHEET NO. | | | | | | | | | | | | | | | | | |
| N/A | D4 MAINT YARD REPAIR | STARK | 9 | 8 | | | | | | | | | | | | | | | | | |
| | | | | | | NOT TO SCALE | | CONTRACT NO. 68A06 FED. ROAD DIST. NO. ILLINOIS FED. AID PROJECT | | | | | | | | | | | | | |