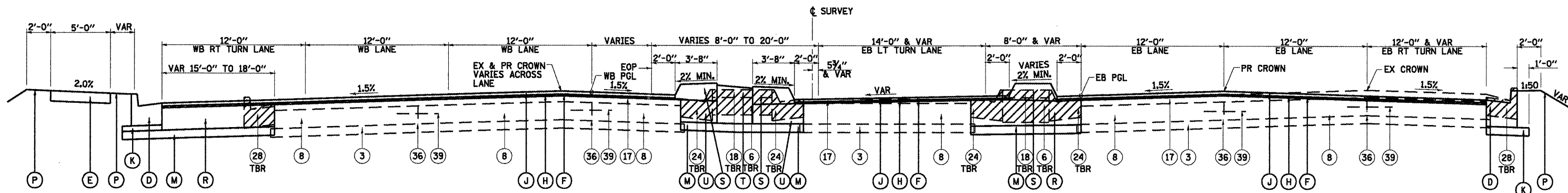
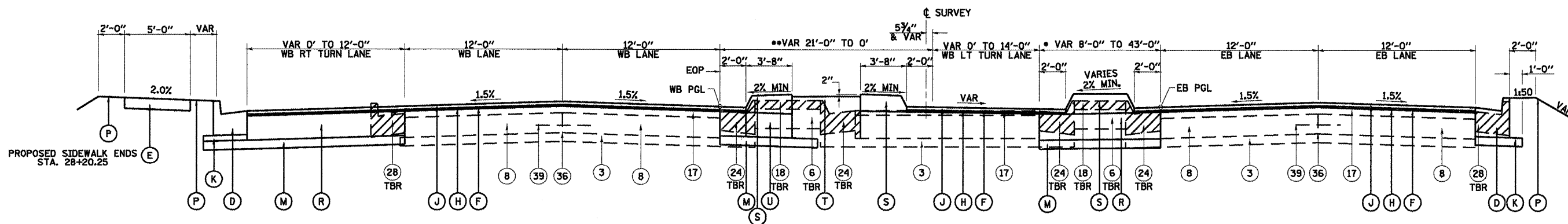


F.A.P. SECTION	COUNTY	TOTAL SHEETS	SHEET NO.
**	SANGAMON	363	13
STA. TO STA.			
FED. ROAD DIST. NO.	ILLINOIS	FED. AID PROJECT	
CONTRACT NO. 72088			



CLEAR LAKE AVENUE
STA. 23 + 70.00 TO STA. 26 + 33.10



** CORRUGATED MEDIAN
 STA. 29+27.77 TO STA. 30+18.29

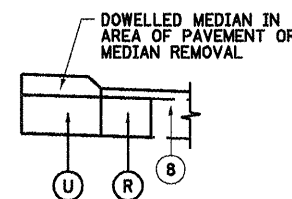
CLEAR LAKE AVENUE
STA. 26 + 33.10 TO STA. 31 + 40.00

EXISTING LEGEND

- (3) EXISTING GRANULAR MATERIAL SUB-BASE, 4"
- (6) EXISTING POROUS GRANULAR EMBANKMENT
- (8) EXISTING PCC BASE COURSE, 9"
- (17) EXISTING BITUMINOUS CONCRETE SURFACE, 4 1/2"
- (18) EXISTING PCC MEDIAN SURFACE, 4"
- (24) EXISTING COMBINATION CONCRETE CURB & GUTTER, TY. M-6.24
- (28) EXISTING COMBINATION CONCRETE CURB & GUTTER, TY. B-6.24
- (36) EXISTING LONGITUDINAL JOINT
- (39) EXISTING TIEBAR, *4, 2'-6" LONG, AT 2'-6" CENTERS

PROPOSED LEGEND

- (D) PROPOSED COMBINATION CONCRETE CURB & GUTTER, TYPE B-6.24
- (E) PROPOSED SIDEWALK, 4"
- (F) PROPOSED BITUMINOUS SURFACE REMOVAL (VARIABLE DEPTH)
- (H) PROPOSED LEVELING BINDER (MACHINE METHOD), N90, 3/4" MINIMUM DEPTH
- (J) PROPOSED POLYMERIZED HOT-MIX ASPHALT SURFACE COURSE, MIX "E", N90, 1 1/2"
- (K) PROPOSED SUB-BASE GRANULAR MATERIAL, TYPE C
- (M) PROPOSED SUB-BASE GRANULAR MATERIAL, TYPE A, 8"
- (N) PROPOSED COMBINATION CONCRETE CURB & GUTTER, TYPE M-6.24
- (P) SODDING
- (R) PROPOSED HOT-MIX ASPHALT BASE COURSE, 1 1/4"
- (S) PROPOSED CONCRETE MEDIAN TYPE SM-6 (DOWELLED)
- (T) PROPOSED TOP SOIL FOR PLANTING
- (U) PROPOSED PORTLAND CEMENT CONCRETE BASE COURSE, 1 1/4" (SEE DETAIL)



PCC BASE COURSE DETAIL

REVISIONS	
NAME	DATE

SHEET 3 OF 12

ILLINOIS DEPARTMENT OF TRANSPORTATION
PROPOSED TYPICAL SECTIONS
CLEAR LAKE AVENUE

SCALE: NONE
 DATE 08/05

DRAWN BY MLO
 CHECKED BY SJK