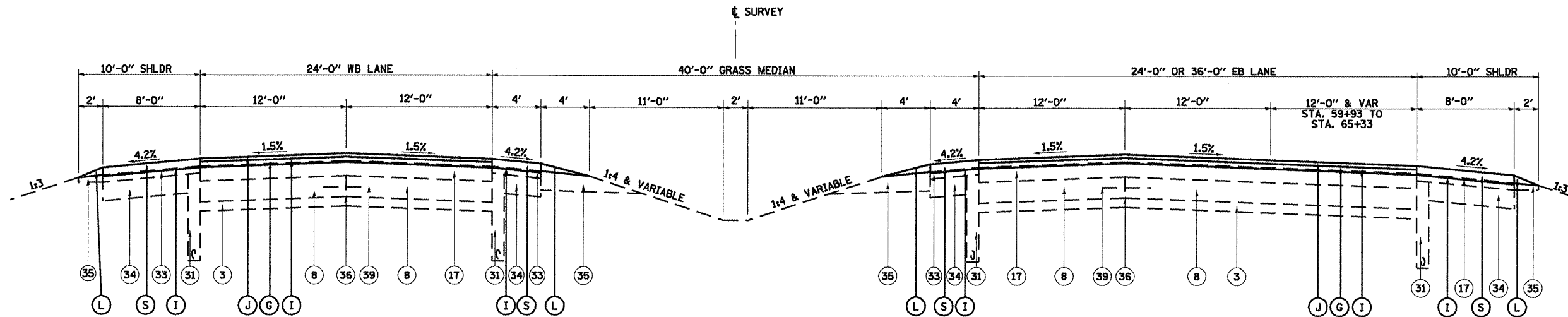
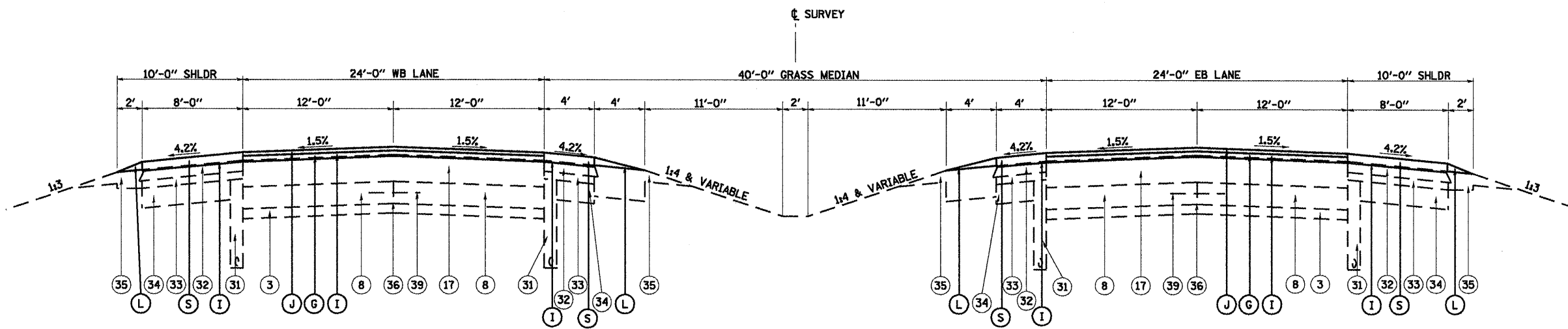


F.A.P. RTE.	SECTION	COUNTY	TOTAL SHEETS	SHEET NO.
**	**	SANGAMON	363	15
STA. TO STA.				
FED. ROAD DIST. NO. ILLINOIS FED. AID PROJECT				
CONTRACT NO. 72088				



CLEAR LAKE AVENUE
STA. 37+00.00 TO STA. 45+00.00
STA. 53+62.50 TO STA. 65+33.00



CLEAR LAKE AVENUE
STA. 45+00.00 TO STA. 53+62.50
(EB BRIDGE OMISSION STA. 48+47.00 TO STA. 51+20.00)
(WB BRIDGE OMISSION STA. 48+60.00 TO STA. 51+33.00)

EXISTING LEGEND

- ③ EXISTING GRANULAR MATERIAL SUB-BASE, 4"
- ⑧ EXISTING PCC BASE COURSE, 9"
- ⑰ EXISTING BITUMINOUS CONCRETE SURFACE
- ③① EXISTING PIPE UNDERDRAINS, 4"
- ③② EXISTING STABILIZED SHOULDER
- ③③ EXISTING BITUMINOUS AND AGGREGATE MIXTURE (VAR DEPTH)
- ③④ EXISTING LIME FLYASH SHOULDER WITH 3" BITUMINOUS RESURFACING
- ③⑤ EXISTING AGGREGATE SHOULDER
- ③⑥ EXISTING LONGITUDINAL JOINT
- ③⑨ EXISTING TIEBAR, *4, 2'-6" LONG, AT 2'-6" CENTERS

PROPOSED LEGEND

- ⑥ PROPOSED POLYMERIZED HOT-MIX ASPHALT BINDER COURSE, IL 19.0M N90, 2 1/4"
- ① PROPOSED BITUMINOUS SURFACE REMOVAL, 1 3/4"
- ④ PROPOSED POLYMERIZED HOT-MIX ASPHALT SURFACE COURSE, MIX "E", N90, 1 1/2"
- ① PROPOSED AGGREGATE SHOULDER, VARIABLE DEPTH
- ⑤ PROPOSED HOT-MIX ASPHALT SHOULDER 3 3/4"

SHEET 5 OF 12

REVISIONS	
NAME	DATE

ILLINOIS DEPARTMENT OF TRANSPORTATION
PROPOSED TYPICAL SECTIONS
CLEAR LAKE AVENUE

SCALE: NONE
 DATE 08/05

DRAWN BY MLO
 CHECKED BY SJK