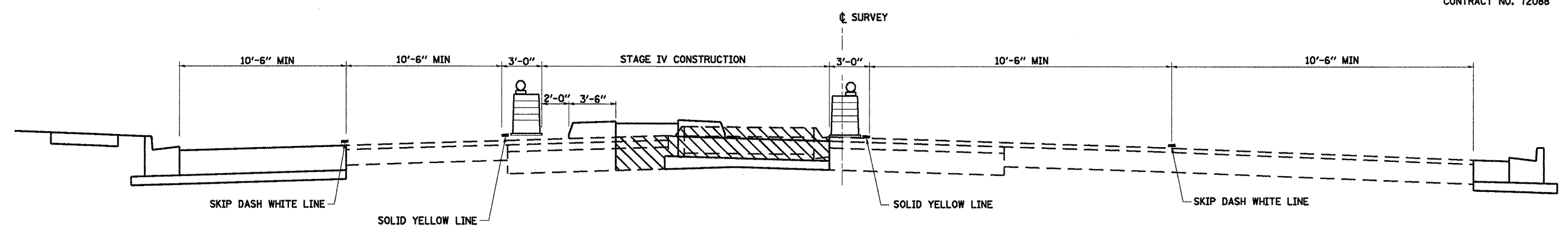
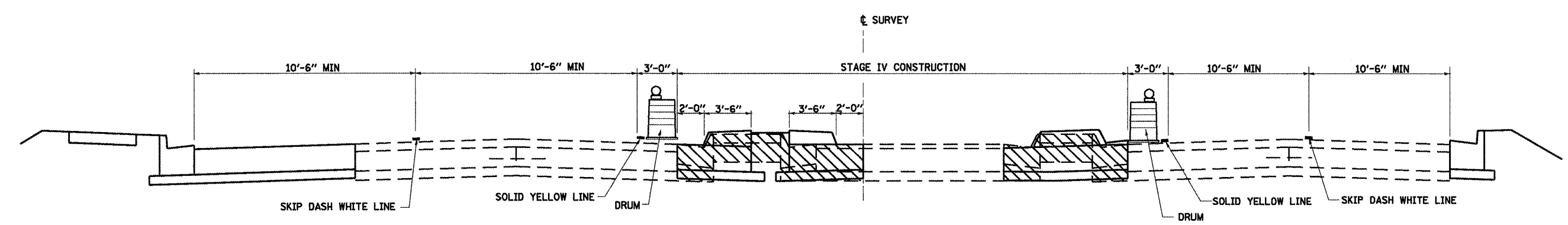


F.A.P. 72, F.A.P. 67, F.A.P. 75 & F.A.P. 668
 D-6 SPFLD-CLRLAKE DIRKSEN 2002

F.A.P. RTE.	SECTION	COUNTY	TOTAL SHEETS	SHEET NO.
*	**	SANGAMON	363	59
STA.		TO STA.		
FED. ROAD DIST. NO.	ILLINOIS	FED. AID PROJECT		
CONTRACT NO. 72088				



CLEAR LAKE AVENUE
SECTION I-I (TYPICAL)
STA. 124+60.41 TO DIRKSEN PARKWAY



CLEAR LAKE AVENUE
SECTION J-J (TYPICAL)
DIRKSEN PARKWAY TO STA. 36+00.00

SHEET 27 OF 34

REVISIONS	
NAME	DATE

ILLINOIS DEPARTMENT OF TRANSPORTATION
STAGE IV CONSTRUCTION
TYPICAL SECTIONS
 SCALE: VERT. 1/8"=1'-0"
 HORIZ. 1"=40'-0"
 DATE 1/05
 DRAWN BY NJV
 CHECKED BY CWG