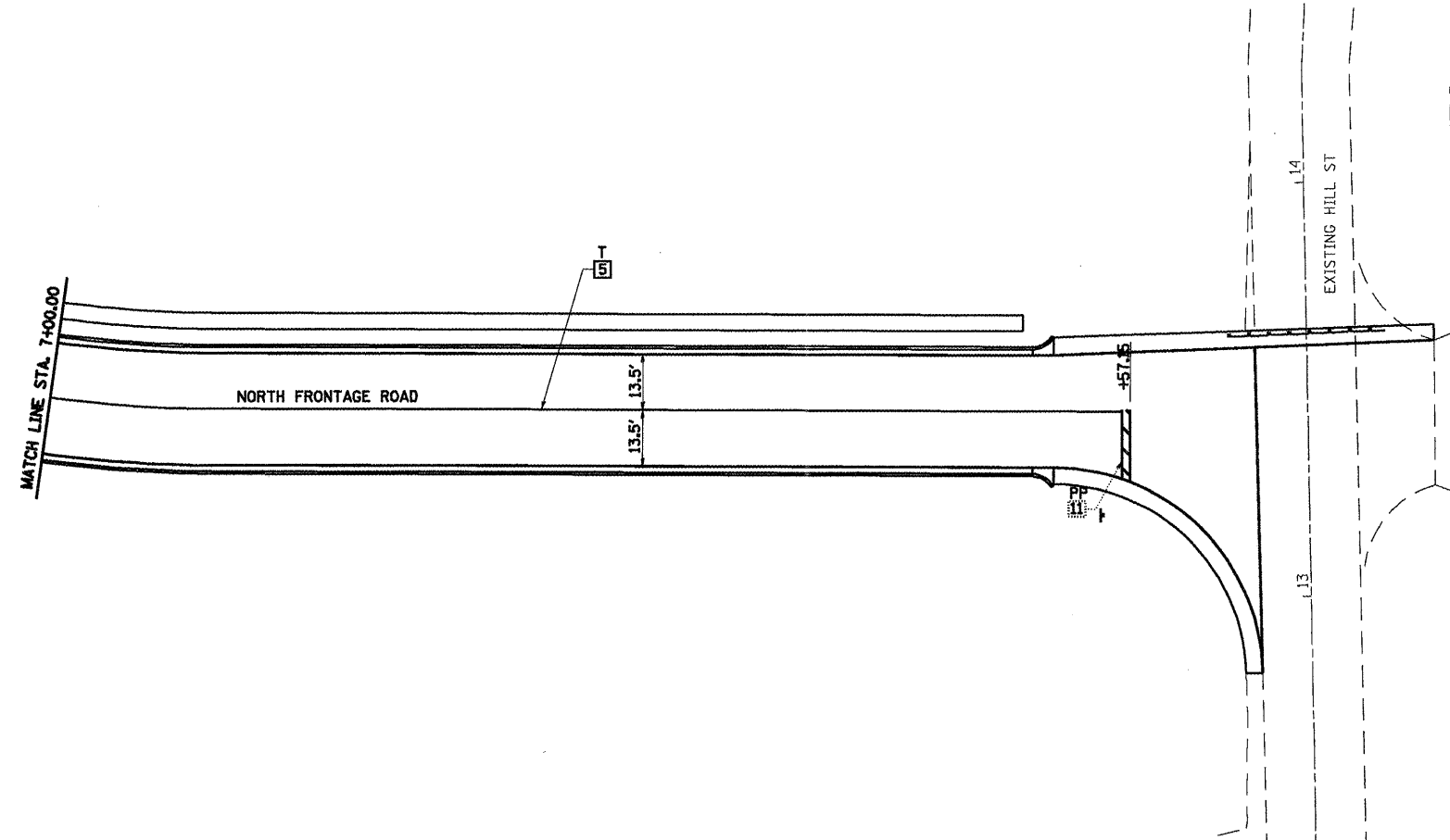
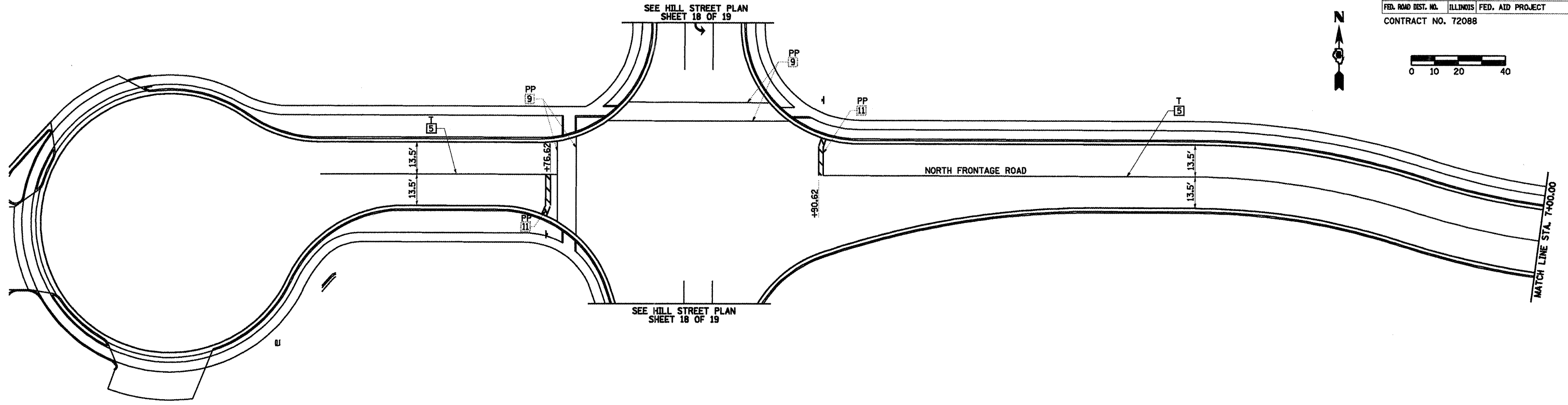
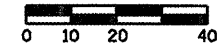


F.A.P. 72, F.A.P. 67, F.A.P. 75 & F.A.P. 668
 D-6 SPFLD-CLRLAKE DIRKSEN 2002

| | | | | |
|---------------------|----------|------------------|--------------|-----------|
| F.A.P. RTE. | SECTION | COUNTY | TOTAL SHEETS | SHEET NO. |
| | | SANGAMON | 363 | 156 |
| STA. | TO STA. | | | |
| FED. ROAD DIST. NO. | ILLINOIS | FED. AID PROJECT | | |
| CONTRACT NO. 72088 | | | | |



LEGEND

- RAISED REFL PAVT MKR AMBER BIDIRECTIONAL
- RAISED REFL PAVT MKR AMBER MONODIRECTIONAL
- RAISED REFL PAVT MKR CRYSTAL MONODIRECTIONAL
- PRISMATIC CURB REFLECTOR AMBER BIDIRECTIONAL
- PRISMATIC CURB REFLECTOR AMBER MONODIRECTIONAL
- PRISMATIC CURB REFLECTOR CRYSTAL MONODIRECTIONAL
- EXISTING PAVEMENT MARKING
- ITEM [4] DOUBLE YELLOW (NARROW)
- ITEM [5] DOUBLE YELLOW (WIDE)

TYPICAL PAVEMENT MARKING LEGEND

- [1] 5" SKIP-DASH YELLOW
- [2] 5" SOLID YELLOW
- [3] 12" DIAGONAL YELLOW
- [4] 5" DOUBLE YELLOW NARROW
- [5] 5" DOUBLE YELLOW WIDE
- [6] 5" SKIP-DASH WHITE
- [7] 6" SKIP-DASH WHITE
- [8] 5" SOLID WHITE
- [9] 6" SOLID WHITE
- [10] 8" SOLID WHITE
- [11] 24" STOP BAR WHITE
- [12] 12" DIAGONAL WHITE
- U - URETHANE
- PP - PREFORMED PLASTIC, TYPE B
- T - THERMOPLASTIC
- P - PAINT
- ALL TRAFFIC ARROWS ARE "PP"

SEE STANDARDS 780001 & 781001 AND DISTRICT PAVEMENT MARKING DETAILS FOR PAVEMENT MARKING AND RAISED REFLECTIVE PAVEMENT MARKERS.

SHEET 15 OF 19

| REVISIONS | |
|-----------|------|
| NAME | DATE |
| | |
| | |
| | |
| | |
| | |
| | |
| | |
| | |
| | |
| | |

ILLINOIS DEPARTMENT OF TRANSPORTATION

**PAVEMENT MARKING PLAN
 NORTH FRONTAGE ROAD**

SCALE: VERT. DATE 08/05

DRAWN BY MLO
 CHECKED BY SJK