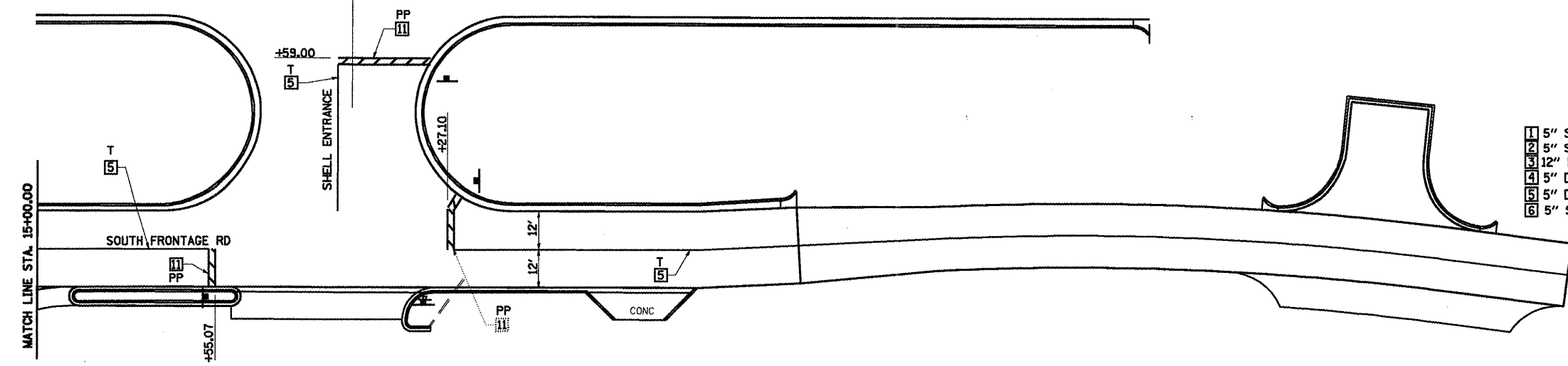
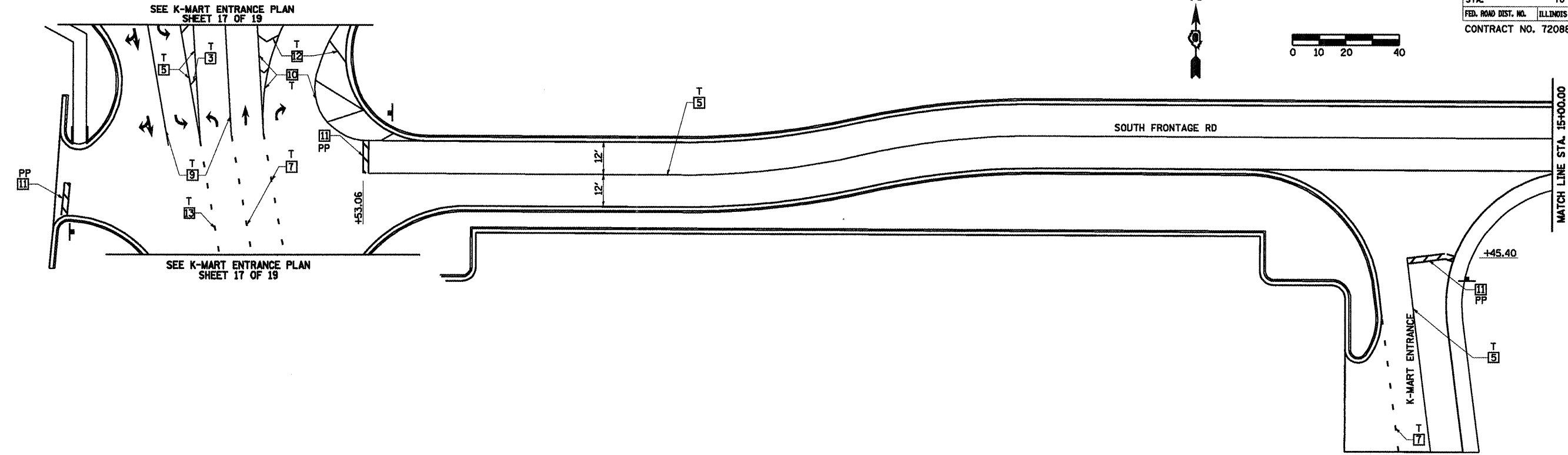


F.A.I. 72, F.A.P. 67, F.A.P. 75 & F.A.P. 668
 ** D-6 SPFLD-CLRLAKE DIRKSEN 2002

F.A.P. RTE.	SECTION	COUNTY	TOTAL SHEETS	SHEET NO.
*	**	SANGAMON	363	157
STA. TO STA.				
FED. ROAD DIST. NO. ILLINOIS FED. AID PROJECT				
CONTRACT NO. 72088				



LEGEND

- | | | | |
|--|--|--|--|
| | RAISED REFL PAVT MKR AMBER BIDIRECTIONAL | | PRISMATIC CURB REFLECTOR AMBER BIDIRECTIONAL |
| | RAISED REFL PAVT MKR AMBER MONODIRECTIONAL | | PRISMATIC CURB REFLECTOR AMBER MONODIRECTIONAL |
| | RAISED REFL PAVT MKR CRYSTAL MONODIRECTIONAL | | PRISMATIC CURB REFLECTOR CRYSTAL MONODIRECTIONAL |
| | EXISTING PAVEMENT MARKING | | ITEM [4] DOUBLE YELLOW (NARROW) |
| | ITEM [5] DOUBLE YELLOW (WIDE) | | ITEM [7] SKIP-DASH WHITE |
| | ITEM [8] SKIP-DASH YELLOW | | ITEM [9] SOLID WHITE |
| | ITEM [10] SOLID WHITE | | ITEM [11] 24" STOP BAR WHITE |
| | ITEM [12] DIAGONAL WHITE | | ITEM [13] 6" SKIP-DASH YELLOW |

TYPICAL PAVEMENT MARKING LEGEND

- | | | |
|---------------------------|------------------------|--------------------------------|
| 1 5" SKIP-DASH YELLOW | 7 6" SKIP-DASH WHITE | U - URETHANE |
| 2 5" SOLID YELLOW | 8 5" SOLID WHITE | PP - PREFORMED PLASTIC, TYPE B |
| 3 12" DIAGONAL YELLOW | 9 6" SOLID WHITE | T - THERMOPLASTIC |
| 4 5" DOUBLE YELLOW NARROW | 10 8" SOLID WHITE | P - PAINT |
| 5 5" DOUBLE YELLOW WIDE | 11 24" STOP BAR WHITE | ALL TRAFFIC ARROWS ARE "PP" |
| 6 5" SKIP-DASH WHITE | 12 12" DIAGONAL WHITE | |
| | 13 6" SKIP-DASH YELLOW | |

SEE STANDARDS 780001 & 781001 AND DISTRICT PAVEMENT MARKING DETAILS FOR ADDITIONAL DETAILS FOR PAVEMENT MARKING AND RAISED REFLECTIVE PAVEMENT MARKERS.

SHEET 16 OF 19

REVISIONS	DATE

ILLINOIS DEPARTMENT OF TRANSPORTATION

**PAVEMENT MARKING PLAN
SOUTH FRONTAGE ROAD**

SCALE: VERT.
HORIZ.
DATE 08/05

DRAWN BY MLO
CHECKED BY SJK