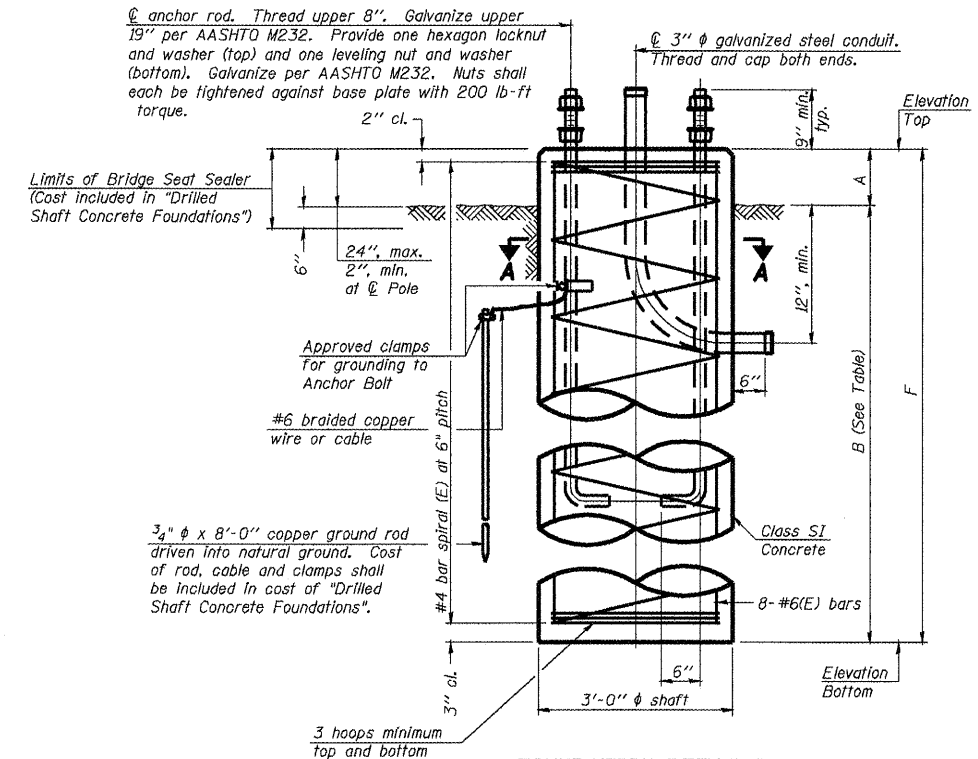
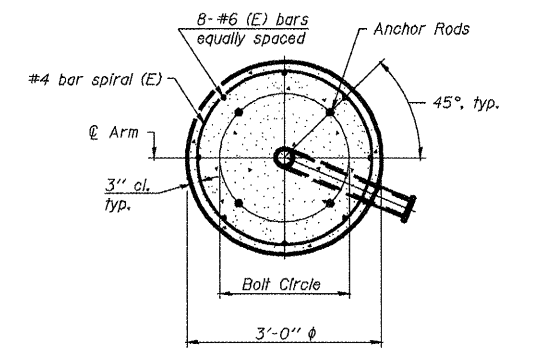


F.A.P. SHEET NO.	SECTION	COUNTY	TOTAL SHEETS	SHEET NO.
*	**	SANGAMON	363	209
STA. TO STA.				
FED. ROAD DIST. NO. ILLINOIS FED. AID PROJECT				
CONTRACT NO. 72088				

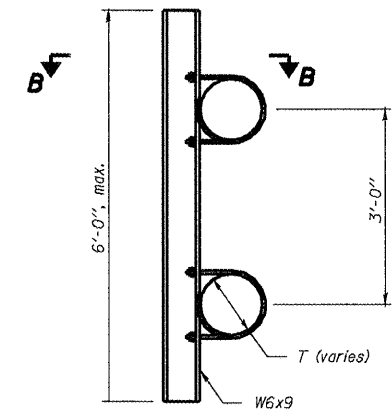


FOUNDATION DETAILS

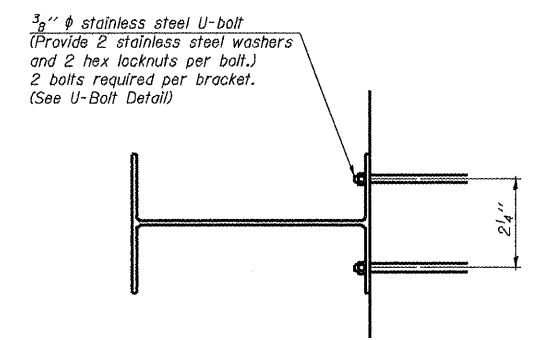
Typical, except conduit may only be required at one foundation. Provide conduit openings both poles.



SECTION A-A

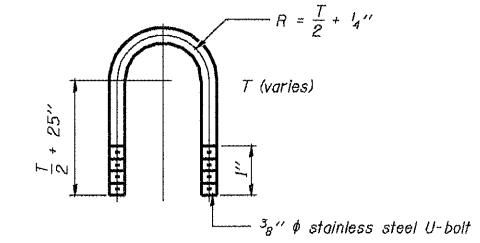


SIGN MOUNTING BRACKET



SECTION B-B

6'-0" maximum spacing. 2'-0" maximum sign overhang beyond end bracket.



U-BOLT DETAIL
(Typical)

FOUNDATIONS:

The foundation dimensions shown are based on the presence of mostly cohesive soils with an average Unconfined Compressive Strength (Q_u) of at least 1.25 tsf, which must be determined by previous soil investigations at the jobsite. When other conditions are indicated, the boring data will be included in the plans and the foundation dimensions shown will be the result of site specific designs.

If the conditions encountered are different than those indicated, the Contractor shall notify the Engineer to determine if the foundation dimensions need to be modified. If dimensions "B" or "F" are revised by more than 12" by the Contractor, "as-built" plans shall be prepared and submitted to the District Bureau of Operations for future reference.

No sonotubes or decomposable forms shall be used below the lower conduit entrance. Permanent metal forms or other shelding may not be left in place below that elevation without the Engineer's written permission.

Concrete shall be placed monolithically, without construction joints.

Backfill shall be placed per Article 502 of Standard Specification and prior to erection of support column.

A normal surface finish followed by a Bridge Seat Sealer application will be required on concrete surfaces above the lowest elevation 6" below finished ground line. Cost included in "Drilled Shaft Concrete Foundation".

DUALTUBE - 2 1-7-05

REVISIONS	
NAME	DATE

ILLINOIS DEPARTMENT OF TRANSPORTATION

SIGN STRUCTURE DETAILS
DIRKSEN PARKWAY
STA. 160+00.00

SCALE: NONE
 DATE 08/05

DRAWN BY MLO
 CHECKED BY SJK