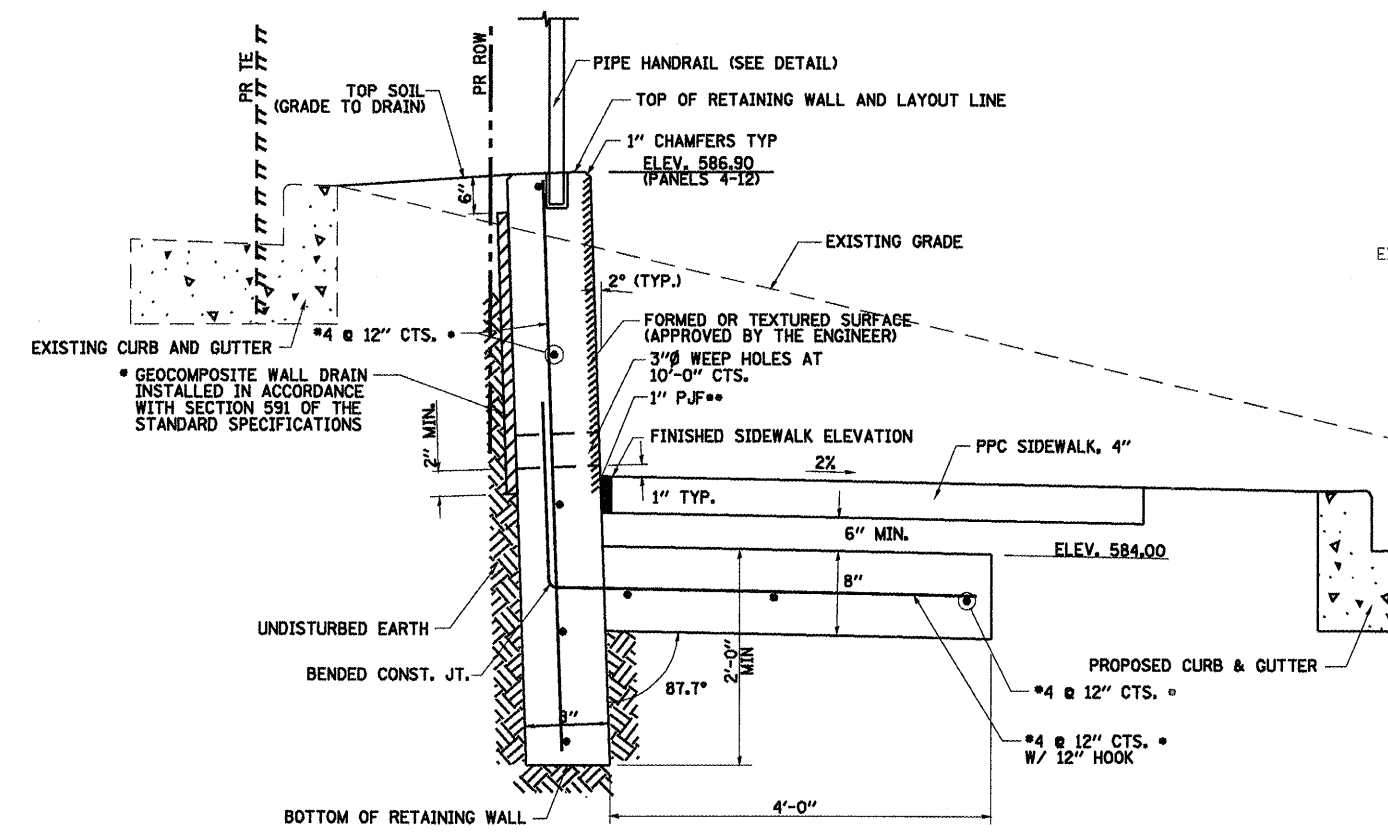
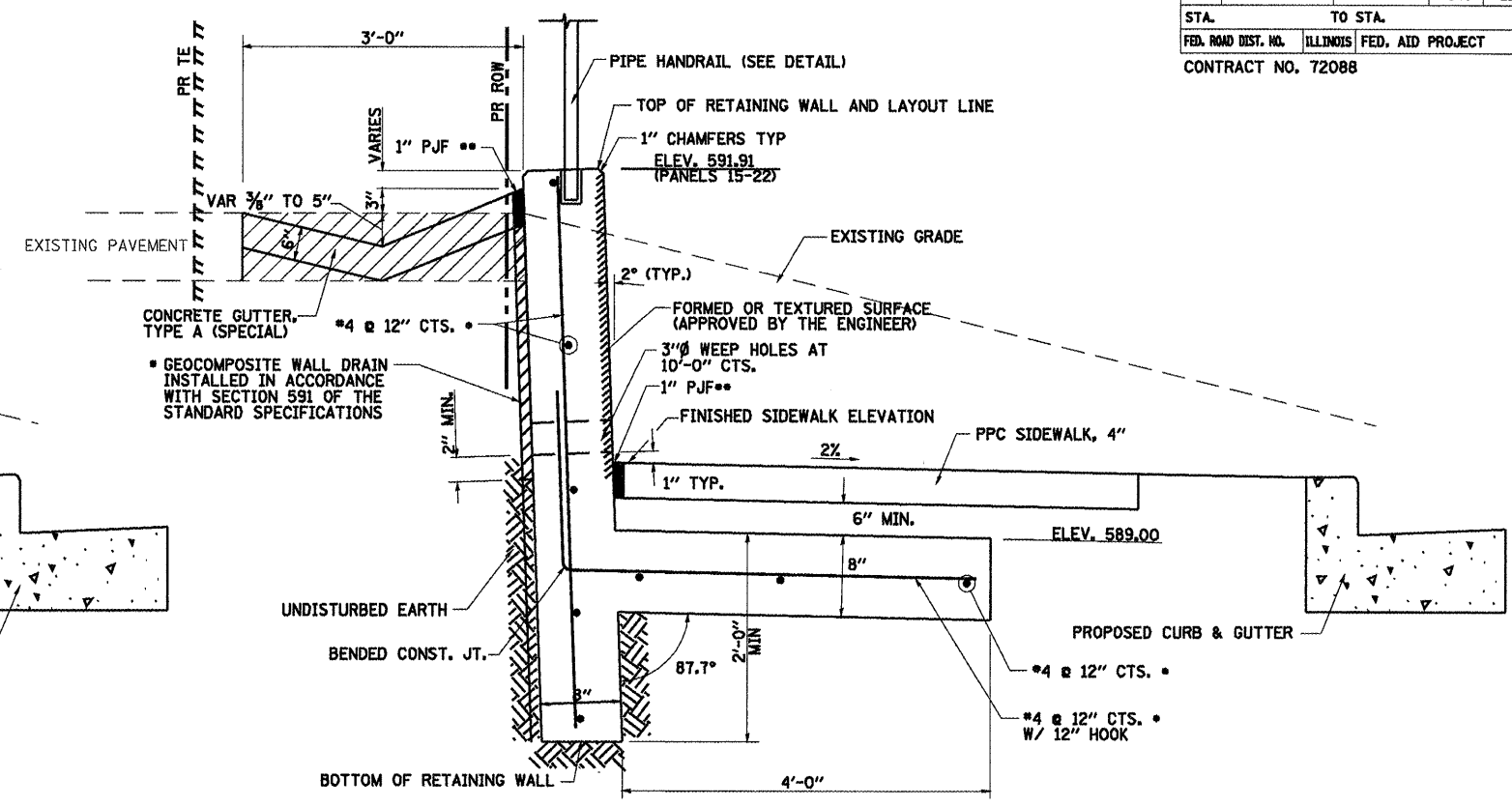


F.A.P. RTE.	SECTION	COUNTY	TOTAL SHEETS	SHEET NO.
•	••	SANGAMON	363	213
STA. TO STA.				
FED. ROAD DIST. NO. ILLINOIS FED. AID PROJECT				
CONTRACT NO. 72088				



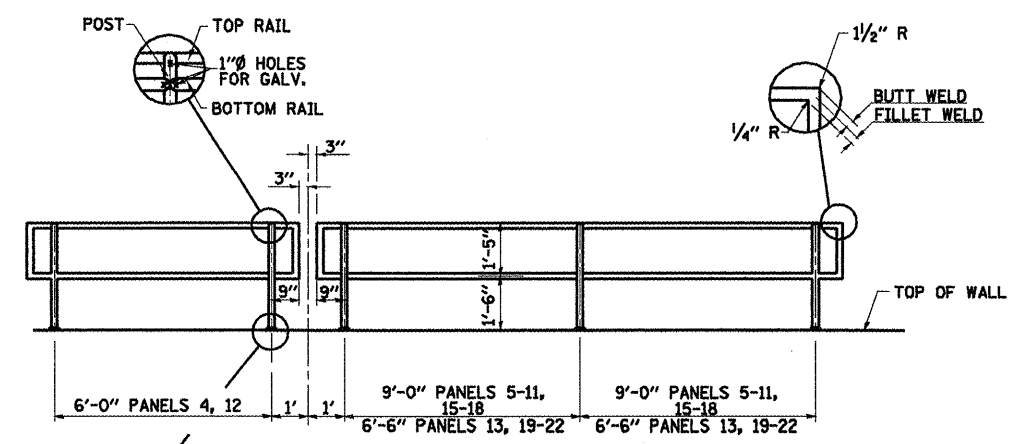
SECTION A-A

- INCLUDED IN COST OF RETAINING WALL
- INCLUDED IN COST OF PCC SIDEWALK, 4"



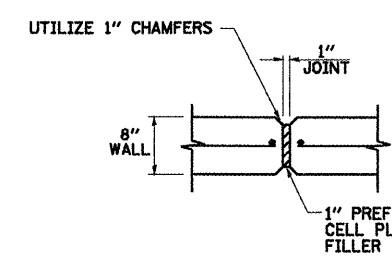
SECTION B-B

- INCLUDED IN COST OF RETAINING WALL
- INCLUDED IN COST OF PCC SIDEWALK, 4"

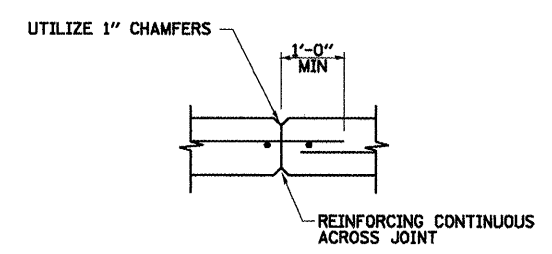


PIPE HANDRAIL DETAIL

NOTE:
 RAILING SHALL BE ACCORDING TO SECTION 509 OF THE STANDARD SPECIFICATIONS, EXCEPT AS NOTED, AND WILL BE PAID FOR AT THE CONTRACT UNIT PRICE FOR PIPE HANDRAIL.
 POSTS AND RAILS SHALL BE 2" STD STRUCTURAL STEEL PIPE @ 3.65 LBS PER LIN FT. ALL CONNECTIONS-MITER, FULL BUTT WELD AND GRIND SMOOTH. PROVIDE 6-5/16" DIA VENT HOLES PER SECTION AT LOCATIONS MARKED WITH X. GALVANIZE AFTER FABRICATION AS PER ASTM A-123.



EXPANSION JOINT (EJ)
(PLAN VIEW)



CONSTRUCTION JOINT (CJ)
(PLAN VIEW)

JOINT DETAILS

REVISIONS	
NAME	DATE

ILLINOIS DEPARTMENT OF TRANSPORTATION
RETAINING WALL DETAILS
 SCALE: NONE
 DATE 10/05
 DRAWN BY MLD
 CHECKED BY PBB