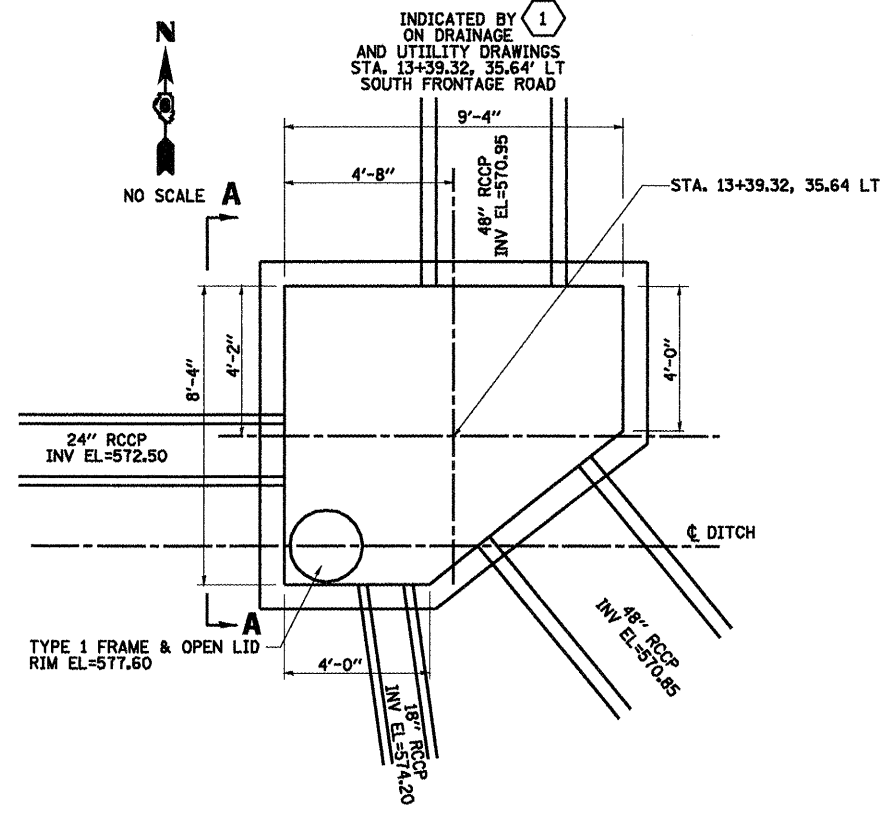


F.A.P. 72, F.A.P. 67, F.A.P. 75 & F.A.P. 668  
 \*\* D-6 SPFLD-CLRLAKE DIRKSEN 2002

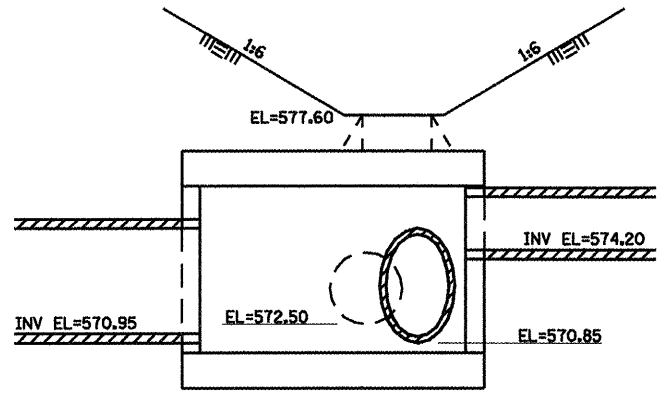
F.A.P. RTE.	SECTION	COUNTY	TOTAL SHEETS	SHEET NO.
•	••	SANGAMON	363	214
STA.		TO STA.		
FED. ROAD DIST. NO.	ILLINOIS	FED. AID PROJECT		
CONTRACT NO. 72088				

**INLET BOX, SPECIAL NO. 1**

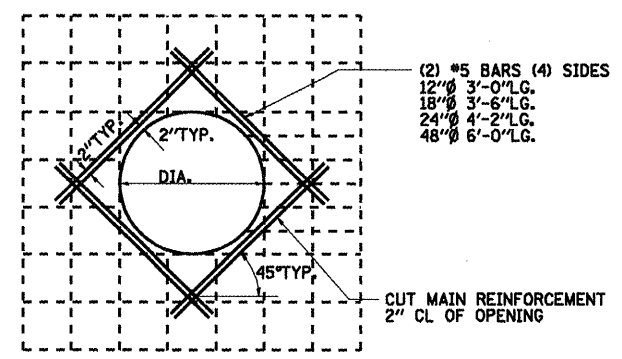


**PLAN VIEW**

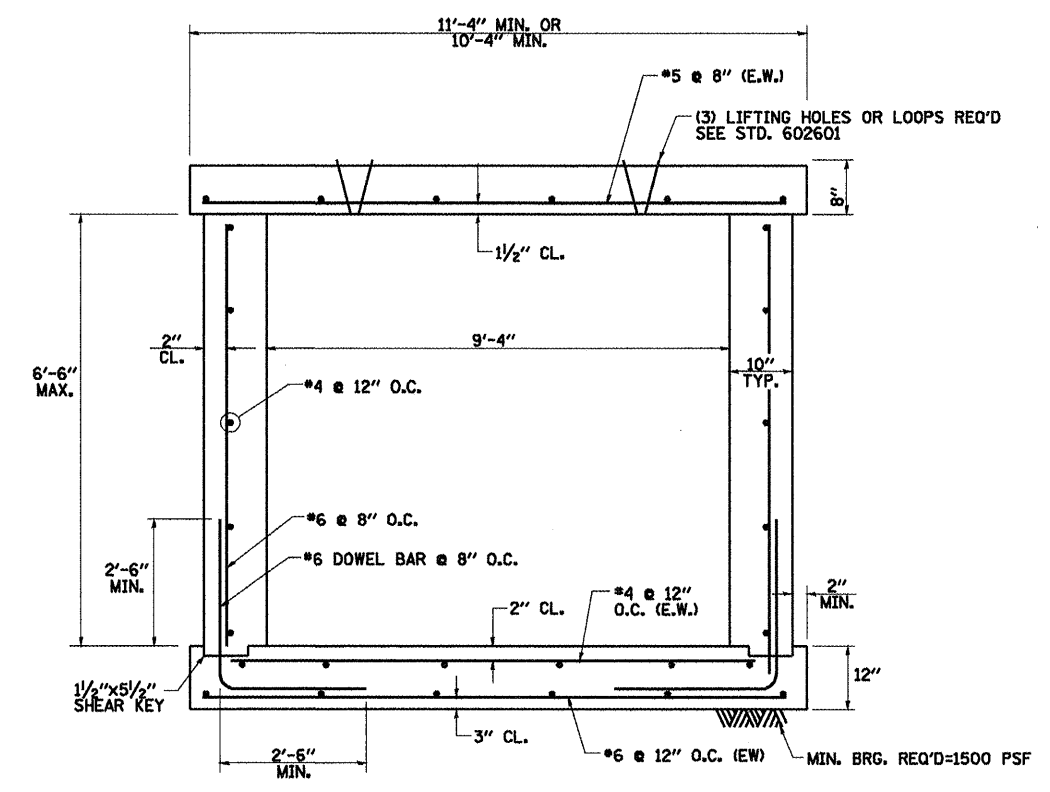
NOTE: SEE TYPICAL OPENING AND STRUCTURE DETAILS FOR REINFORCEMENT AND THICKNESSES.



**SECTION A-A**  
(LOOKING EAST)



**TYPICAL OPENING DETAIL**



**TYPICAL STRUCTURE DETAIL**

REVISIONS	
NAME	DATE

ILLINOIS DEPARTMENT OF TRANSPORTATION  
**DRAINAGE STRUCTURE DETAILS**  
 SCALE: NONE  
 DATE 02/06  
 DRAWN BY MLO  
 CHECKED BY CWG