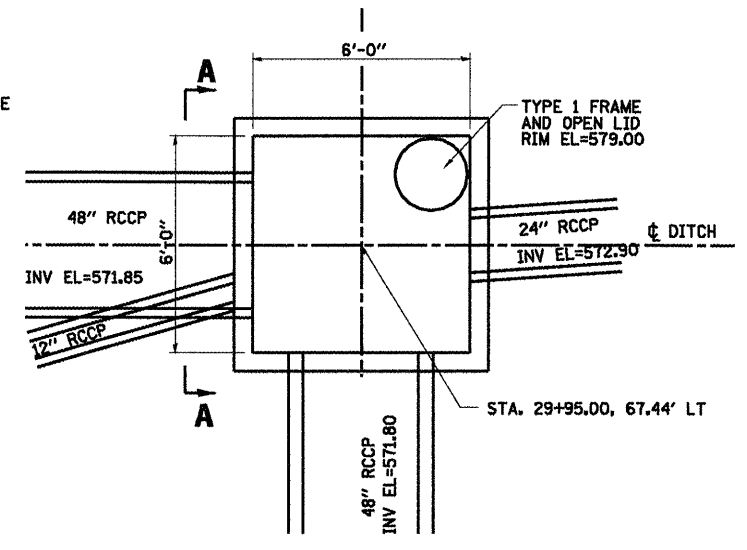


F.A.P. RTE.	SECTION	COUNTY	TOTAL SHEETS	SHEET NO.
*	**	SANGAMON	363	215
STA.		TO STA.		
FED. ROAD DIST. NO.		ILLINOIS FED. AID PROJECT		
CONTRACT NO. 72088				

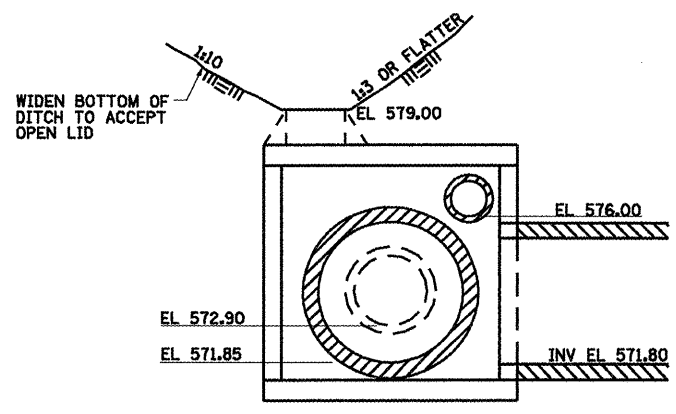
INLET BOX, SPECIAL NO. 2

INDICATED BY 3
 ON DRAINAGE
 AND UTILITY DRAWINGS
 STA. 29+95.00, 67.44' LT
 CLEAR LAKE AVENUE

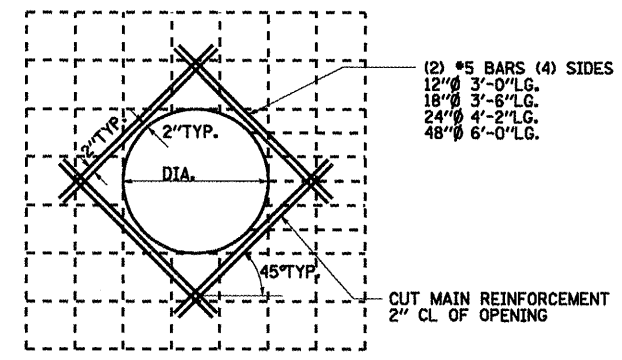


PLAN VIEW

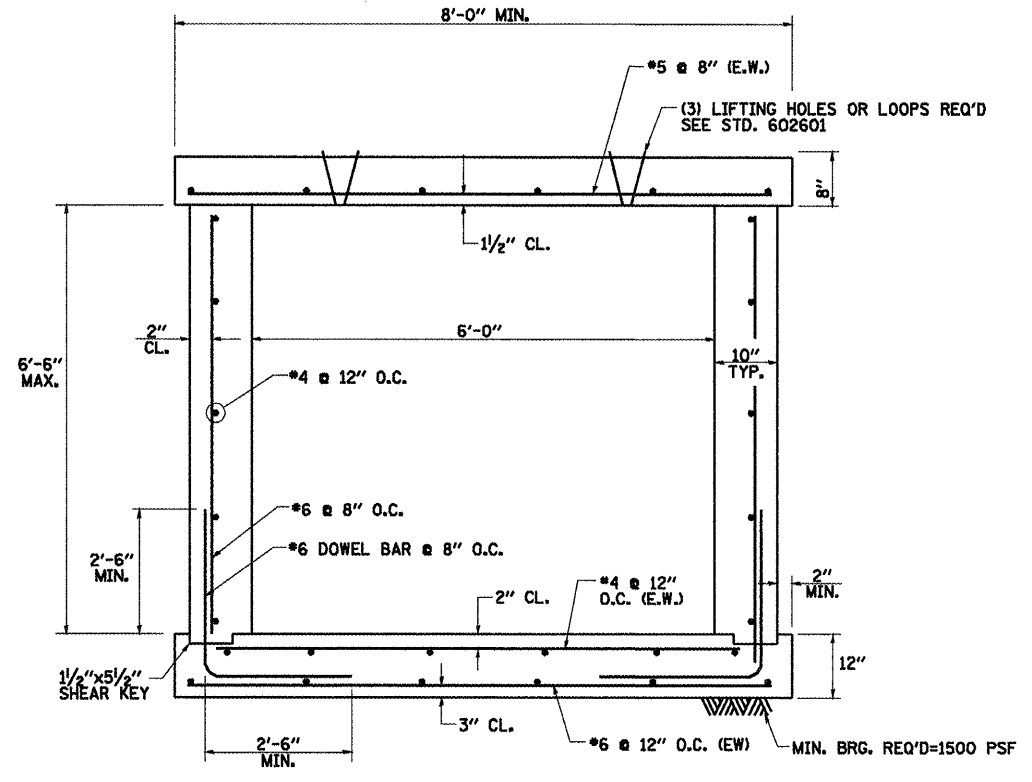
NOTE: SEE TYPICAL OPENING AND STRUCTURE
 DETAILS FOR REINFORCEMENT AND THICKNESSES.



SECTION A-A
 (LOOKING EAST)



TYPICAL OPENING DETAIL



TYPICAL STRUCTURE DETAIL

REVISIONS	
NAME	DATE

ILLINOIS DEPARTMENT OF TRANSPORTATION
DRAINAGE STRUCTURE DETAILS
 SCALE: NONE
 DATE 02/06
 DRAWN BY MLO
 CHECKED BY CWG