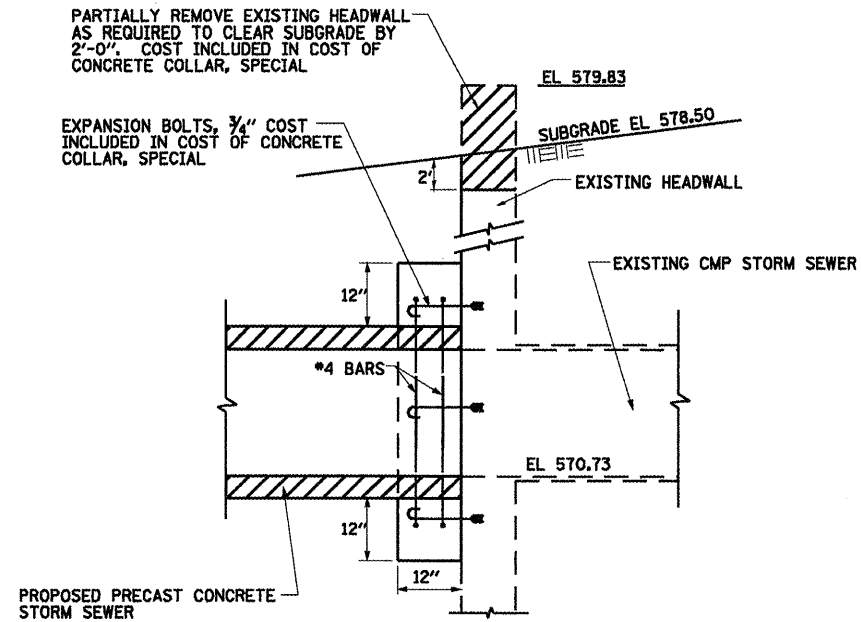
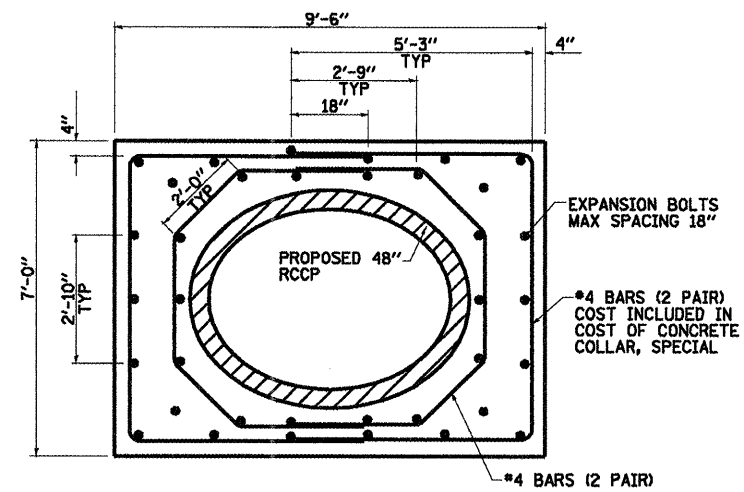


F.A.P. RTE.	SECTION	COUNTY	TOTAL SHEETS	SHEET NO.
*	**	SANGAMON	363	216

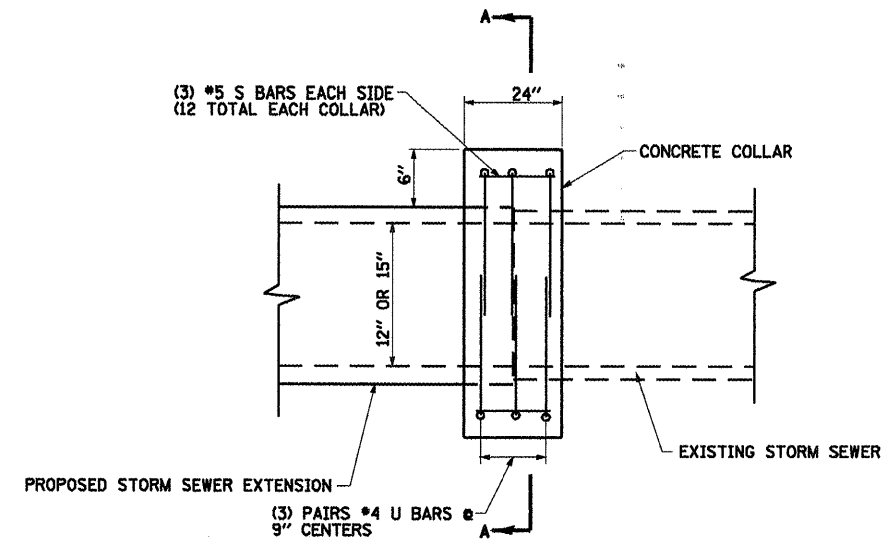
FED. ROAD DIST. NO. ILLINOIS FED. AID PROJECT
 CONTRACT NO. 72088



SECTION A-A

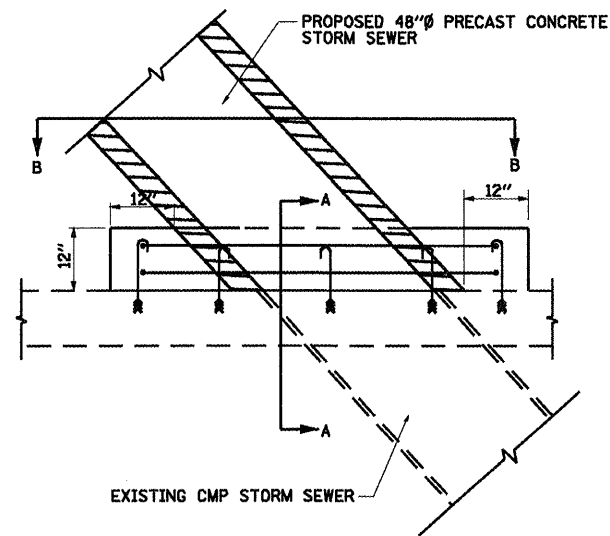


SECTION B-B

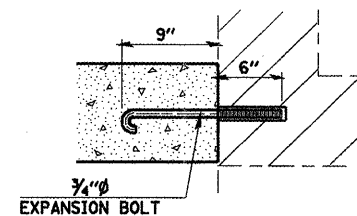


ELEVATION

- NOTES:
- EXISTING DRAINAGE STRUCTURE TO BE REMOVED AS APPLICABLE (NOT SHOWN FOR CLARITY).
 - THE COST OF REINFORCING BARS TO BE INCLUDED IN THE COST OF CONCRETE COLLAR.

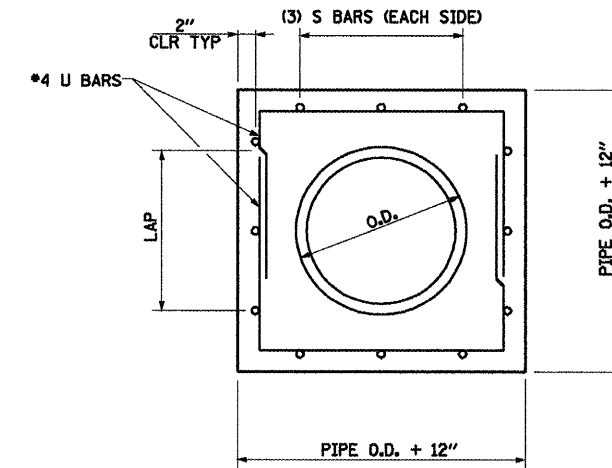


PLAN VIEW



EXPANSION BOLT DETAIL

NOTE: EXPANSION BOLTS SHALL CONSIST OF SELF-DRILLING EXPANSION SHIELDS AND HOOKED BOLTS. HOOKED BOLTS SHALL EXTEND A MINIMUM OF 9" INTO THE NEW CONCRETE.



SECTION A-A

CONCRETE COLLAR
 12" & 15" STORM SEWER

CONCRETE COLLAR, SPECIAL
 STA. 30 + 15.00, 109' RT

REVISIONS	
NAME	DATE

ILLINOIS DEPARTMENT OF TRANSPORTATION

CONCRETE COLLAR DETAILS

DRAWN BY MLO
 CHECKED BY CWG
 DATE 8/05