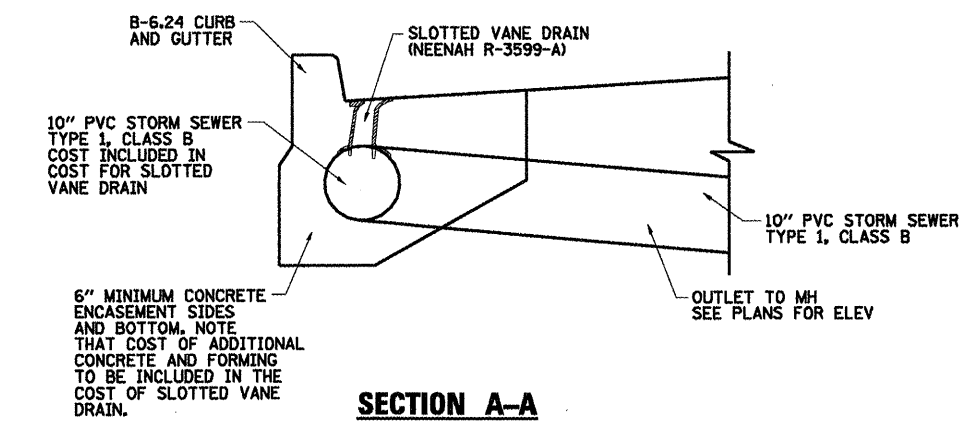
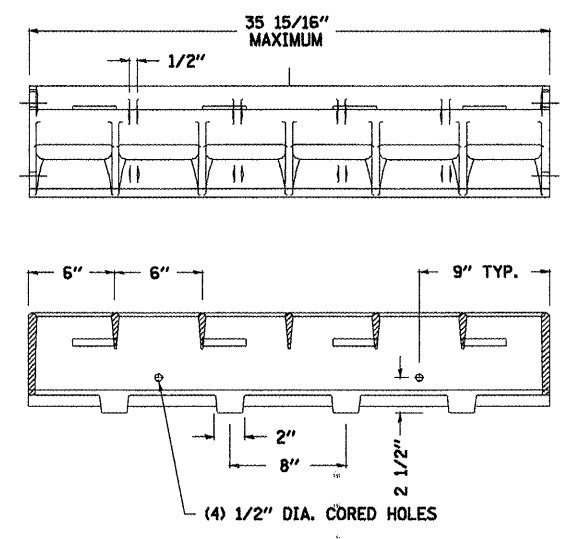
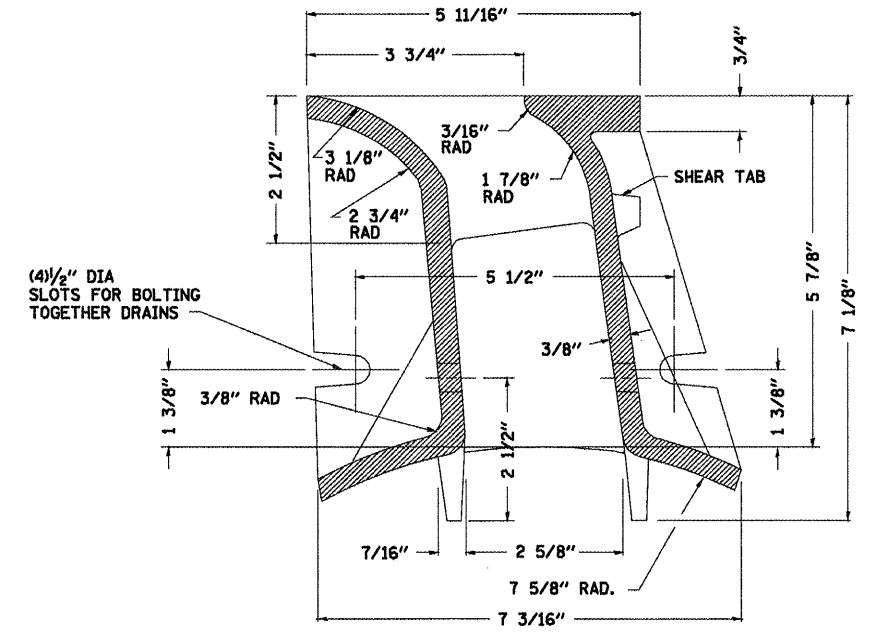
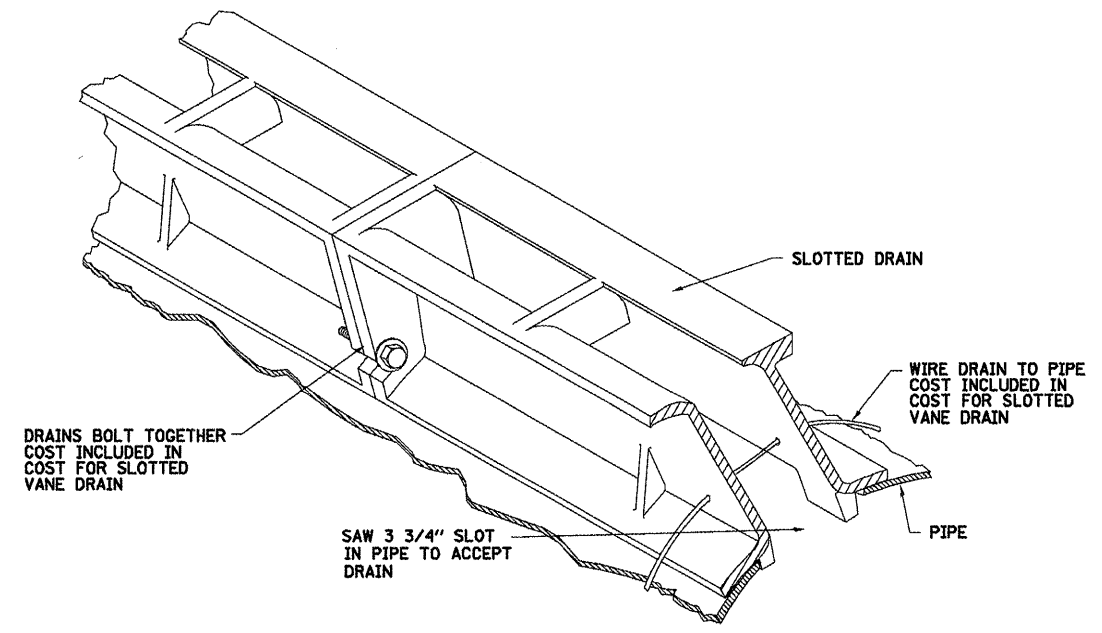


PLAN



SECTION A-A



SECTION THRU VANE DRAIN

REVISIONS	
NAME	DATE

ILLINOIS DEPARTMENT OF TRANSPORTATION
SLOTTED VANE DRAIN DETAIL
 DRAWN BY MLO
 CHECKED BY CWG
 DATE 02/06