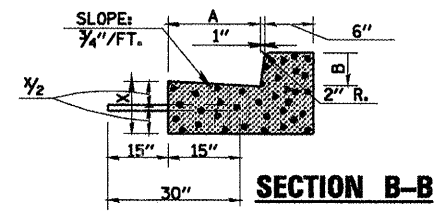
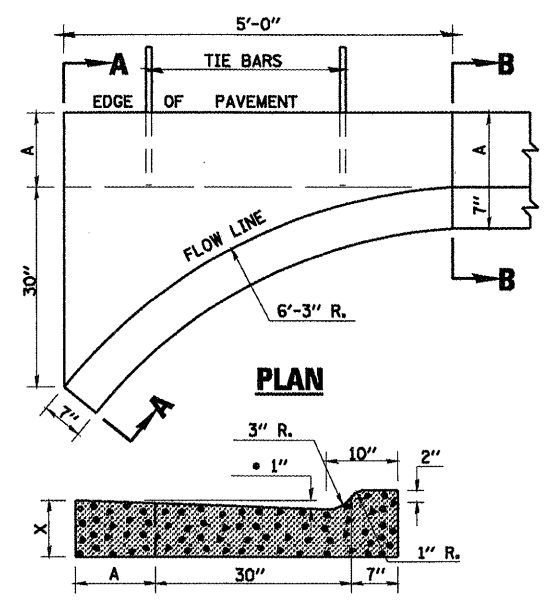


F.A.P. RTE.	SECTION	COUNTY	TOTAL SHEETS	SHEET NO.
*	**	SANGAMON	363	220
STA.		TO STA.		
FED. ROAD DIST. NO.	ILLINOIS	FED. AID PROJECT		
CONTRACT NO. 72088				



	B-5.12	B-9.12	B-6.18	B-9.18	B-6.24	B-9.24
A	12"	12"	12"	18"	18"	24"
B	6"	6"	9"	6"	9"	6"
X	9"	10"	9"	10"	9"	10"
(CU. YDS.)	0.37	0.42	0.38	0.42	0.44	0.49

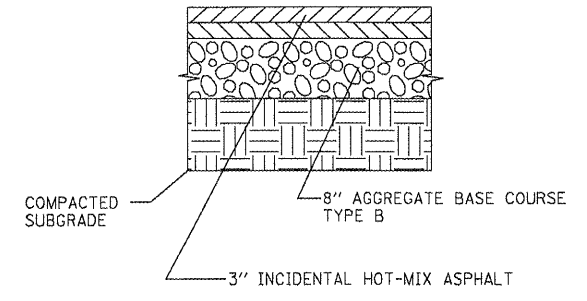
CLASS SI CONCRETE (OUTLETS)

GENERAL NOTES

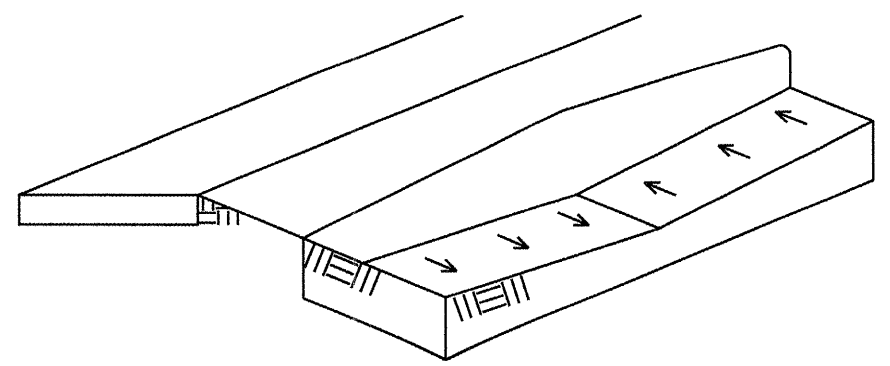
1. CLASS SI CONCRETE SHALL BE USED THROUGHOUT.
2. TIE BARS SHALL BE NO. 6 AT 24" CENTERS UNLESS OTHERWISE SHOWN. SPECIAL INLETS AND OUTLETS SHALL BE TIED TO THE PAVEMENT IN ACCORDANCE WITH DETAILS FOR LONGITUDINAL CONSTRUCTION JOINT SHOWN ON STANDARD 420001.
3. TIE BARS SHOWN ABOVE WILL NOT BE PAID FOR SEPARATELY BUT SHALL BE CONSIDERED AS INCIDENTAL TO CLASS SI CONCRETE (OUTLETS).
4. WHEN SPECIAL INLET IS CONSTRUCTED ADJACENT TO FLEXIBLE PAVEMENT, THE TIE BARS SHALL BE OMITTED AND ALL CONSTRUCTION JOINTS SHALL BE PROVIDED WITH A DOWEL BAR CONFORMING TO ARTICLE 1006.11(b) [(706.11)(b)].
5. THIS WORK WILL BE PAID FOR AT THE CONTRACT UNIT PRICE PER CU. YD. FOR CLASS SI CONCRETE (OUTLETS) WHICH PRICE SHALL INCLUDE ALL LABOR AND MATERIAL AS SPECIFIED AND NO ADDITIONAL COMPENSATION WILL BE ALLOWED.

* NOTE: INCREASE TO 2" WHERE IN THE PLANS IT IS SPECIFIED THAT THESE SPECIAL INLETS ARE TO BE CONSTRUCTED AS OUTLETS. ALL OUTLET LOCATIONS WILL BE CONFIRMED BY THE ENGINEER.

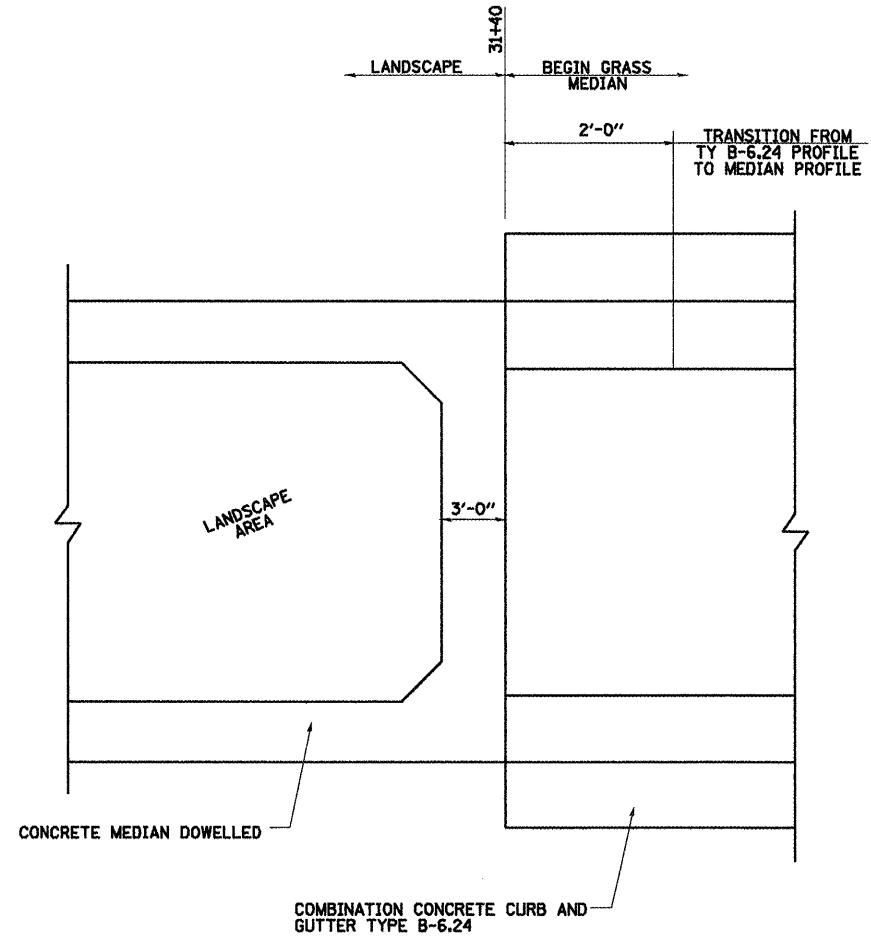
DETAIL OF SPECIAL INLET FOR COMBINATION CONCRETE CURB AND GUTTER (BARRIER CURB)



PARKING LOT PAVEMENT DETAIL



END OF CURB DETAIL



DOWELLED MEDIAN TRANSITION DETAIL

SHEET 1 OF 3

REVISIONS	
NAME	DATE

ILLINOIS DEPARTMENT OF TRANSPORTATION
MISCELLANEOUS ROADWAY DETAILS
 SCALE: NONE
 DATE 08/05
 DRAWN BY MLO
 CHECKED BY SJK