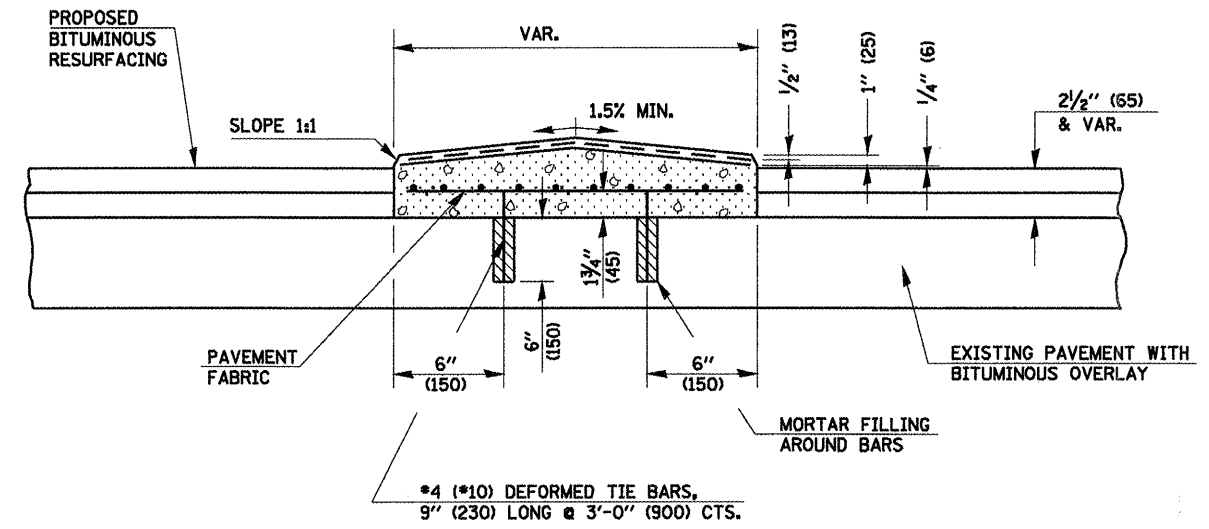
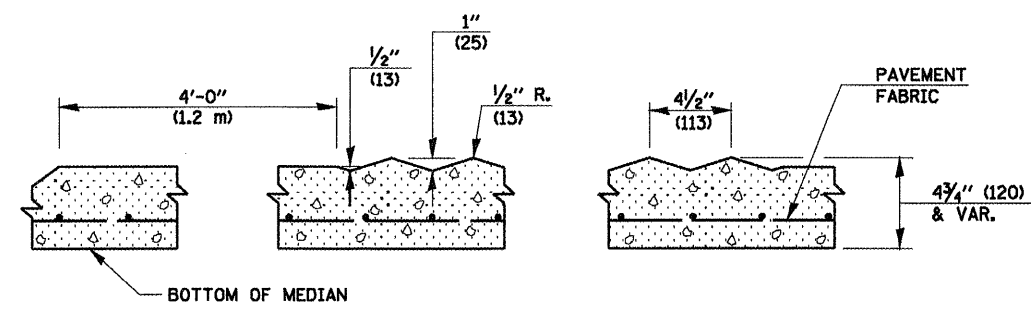


F.A.P. RTE.	SECTION	COUNTY	TOTAL SHEETS	SHEET NO.
* D-6 SPFLD-CLRLAKE DIRKSEN 2002	**	SANGAMON	363	221A
STA. TO STA.				
FED. ROAD DIST. NO. ILLINOIS FED. AID PROJECT				
CONTRACT NO. 72088				



TRANSVERSE SECTION

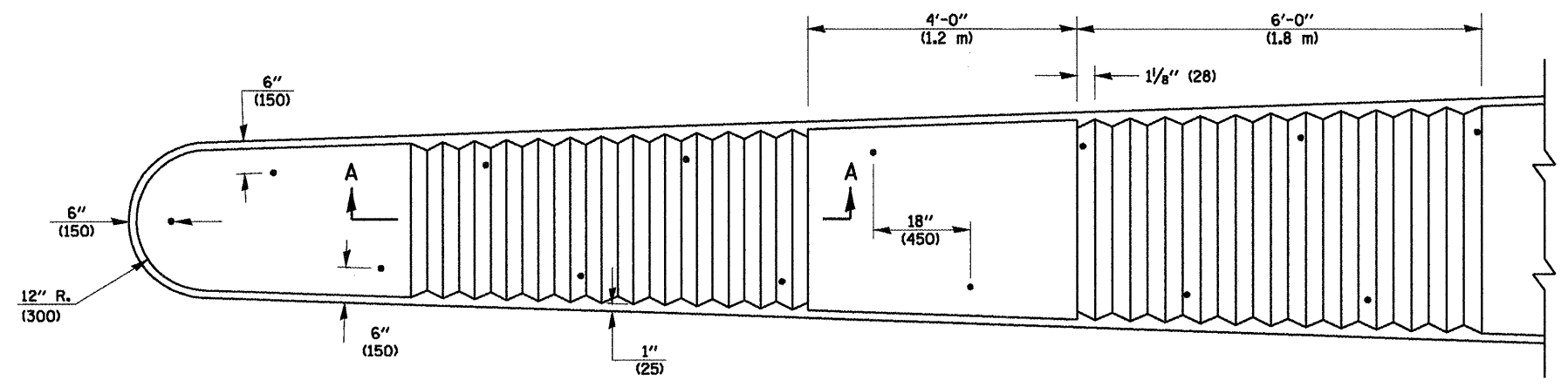
*4 (#10) DEFORMED TIE BARS,
9" (230) LONG @ 3'-0" (900) CTS.



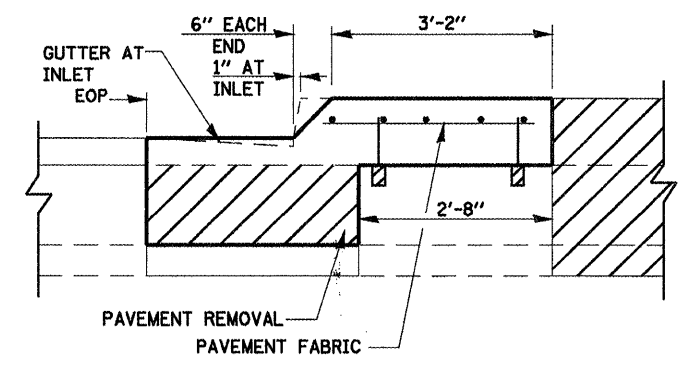
SECTION A-A

GENERAL NOTES

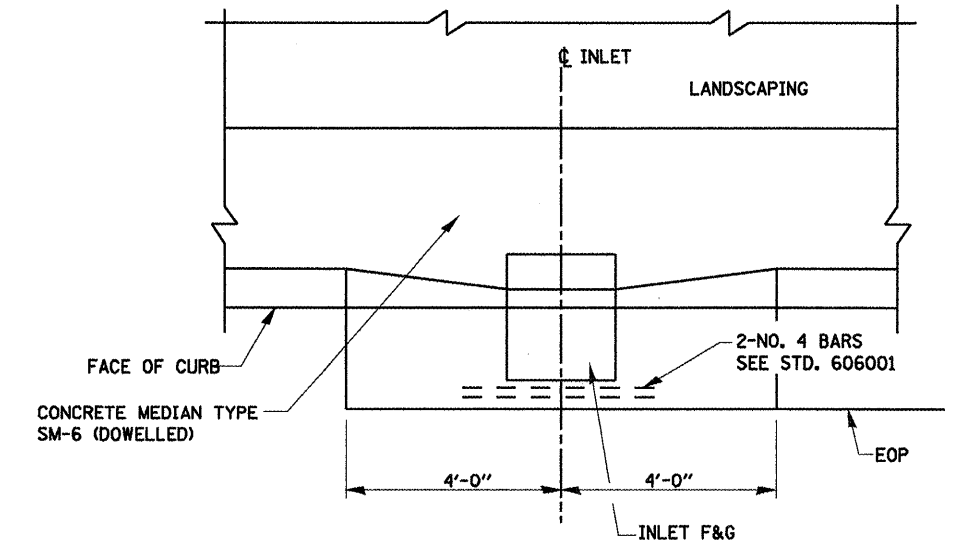
1. DOWELS AT 3'-0" (900) INTERVALS OR AS DIRECTED BY THE ENGINEER.
2. THE COST OF FURNISHING AND INSTALLING DOWEL BARS AND MORTAR FILLING SHALL BE INCLUDED IN THE CONTRACT UNIT PRICE PER SQ. FT. (m²) FOR CORRUGATED MEDIAN (DOWELLED).
3. SEE STANDARDS 420001 AND 420701 FOR DETAILS NOT SHOWN.



PLAN



SECTION A-A



PLAN

INLET GUTTER AT DOWELLED MEDIANS
INCLUDED IN THE UNIT PRICE OF CONCRETE MEDIAN, TYPE SM-6 (DOWEL)

REVISIONS	
NAME	DATE

ILLINOIS DEPARTMENT OF TRANSPORTATION
MISCELLANEOUS ROADWAY DETAILS
SCALE: NONE
DATE 08/05
DRAWN BY MLO
CHECKED BY SUK