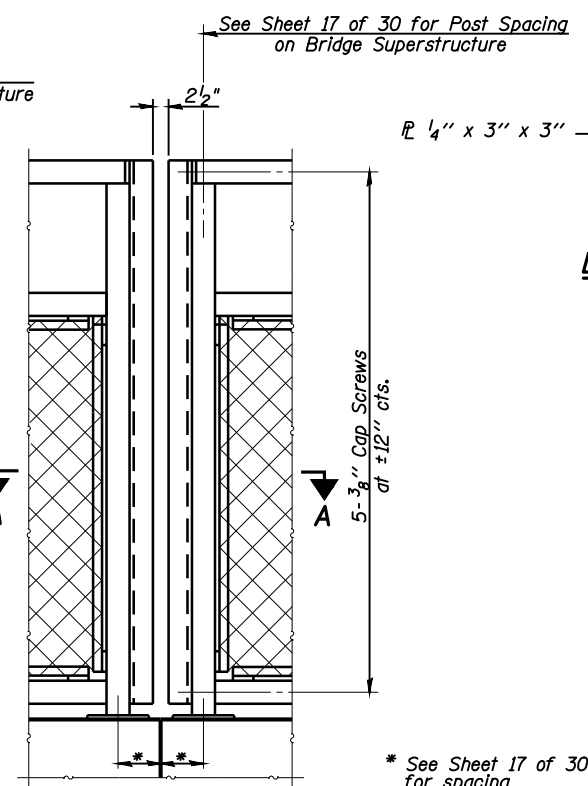
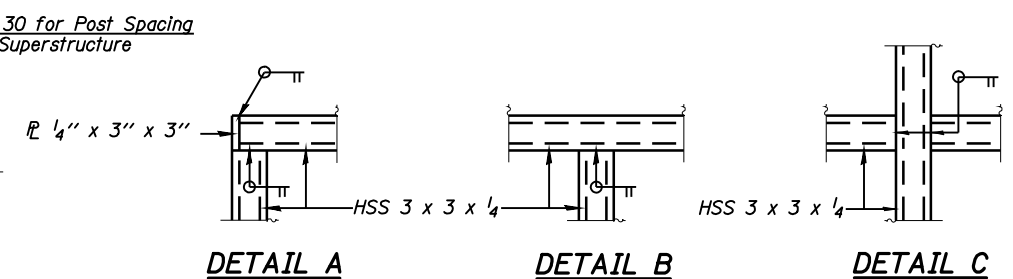


BICYCLE RAILING

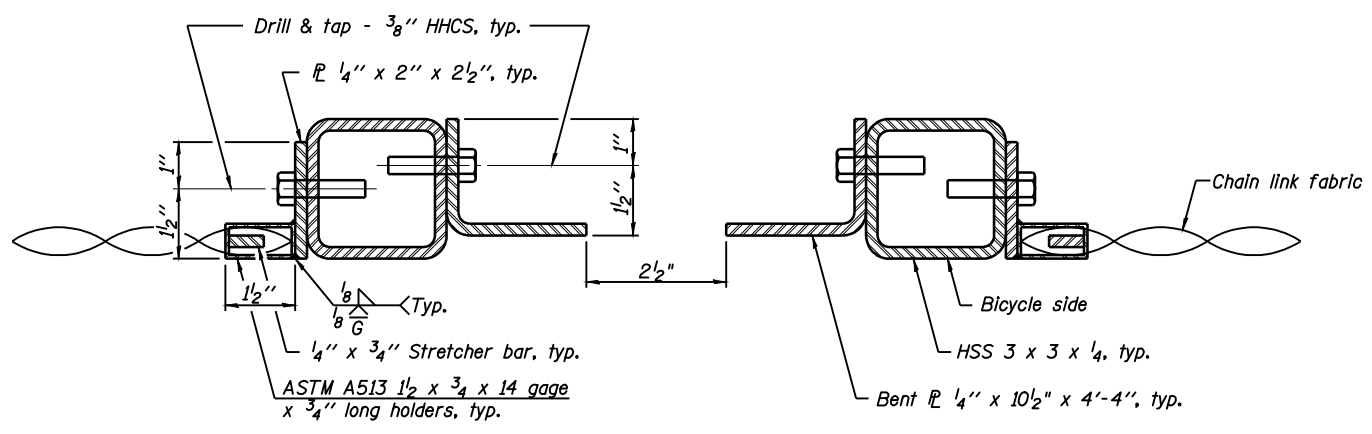


BICYCLE RAILING

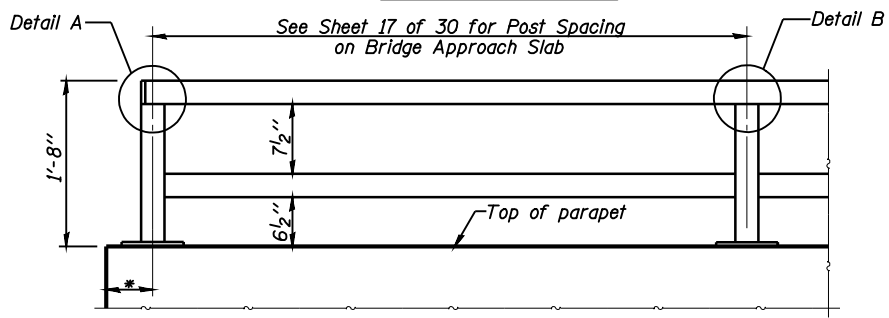


DETAIL A DETAIL B DETAIL C

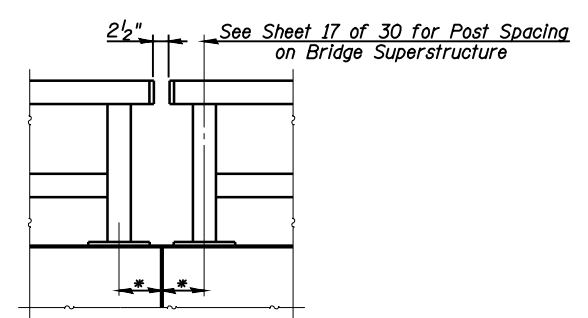
Note: All steel rail elements shall be galvanized according to Article 509.05 of the Standard Specifications.



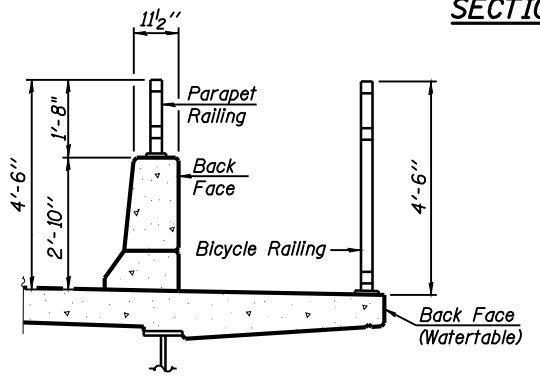
SECTION A-A



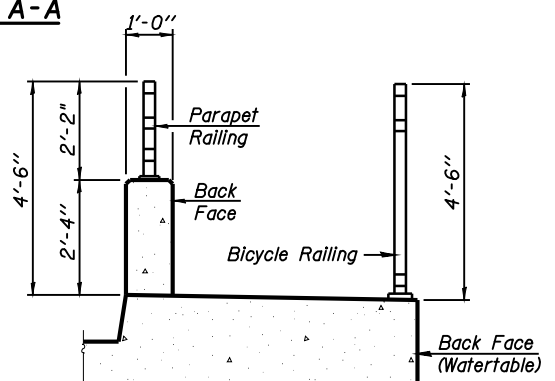
PARAPET RAILING ELEVATION
(Inside Face of Two Element Rail)



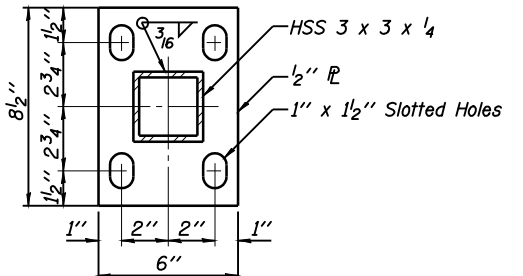
PARAPET RAILING
(Two Element Rail Shown - Three Element Rail Similar)



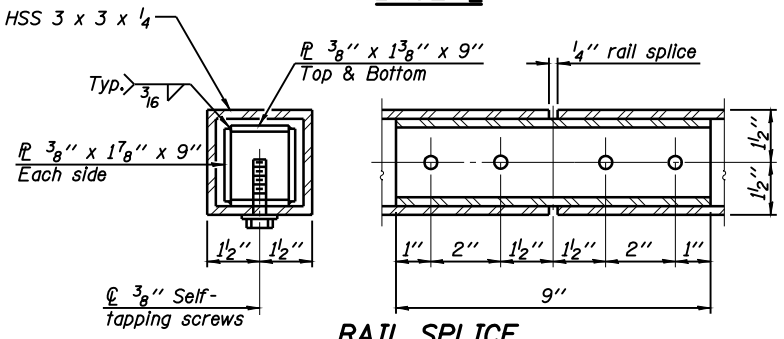
SECTION THRU DECK



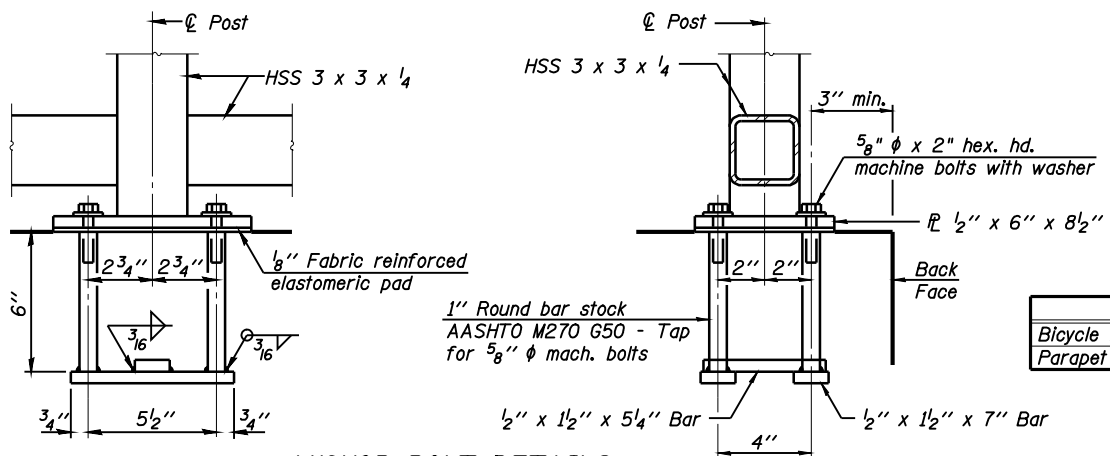
SECTION THRU SIDEWALK



BASE PL



RAIL SPLICE



ANCHOR BOLT DETAILS

In lieu of the cast-in-place anchor device shown, the Contractor has the option of drilling and setting 5/8" diameter anchor rods according to Article 509.06 of the Standard Specifications. Embedment shall be according to the manufacturer's specifications.

BILL OF MATERIAL

Item	Unit	Quantity
Bicycle Railing	Foot	384
Parapet Railing	Foot	384

BICYCLE RAILING
S.N. 084-0521