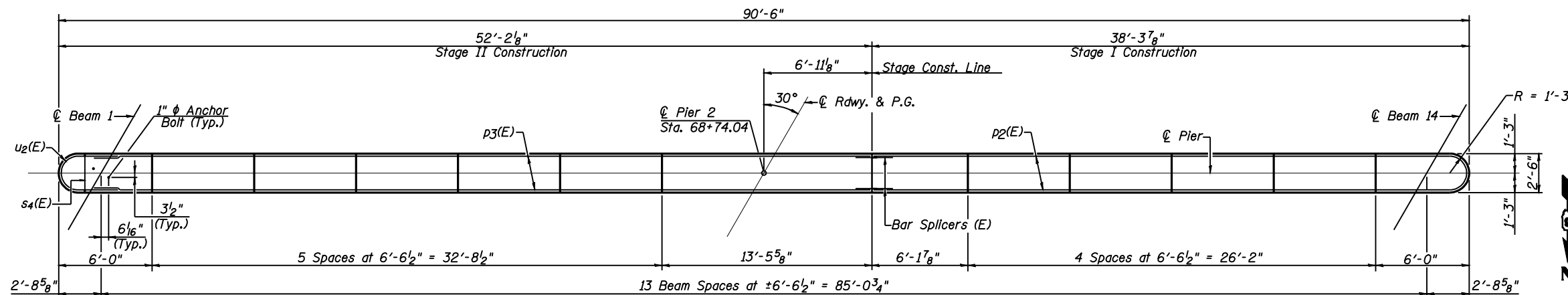


BILL OF MATERIAL

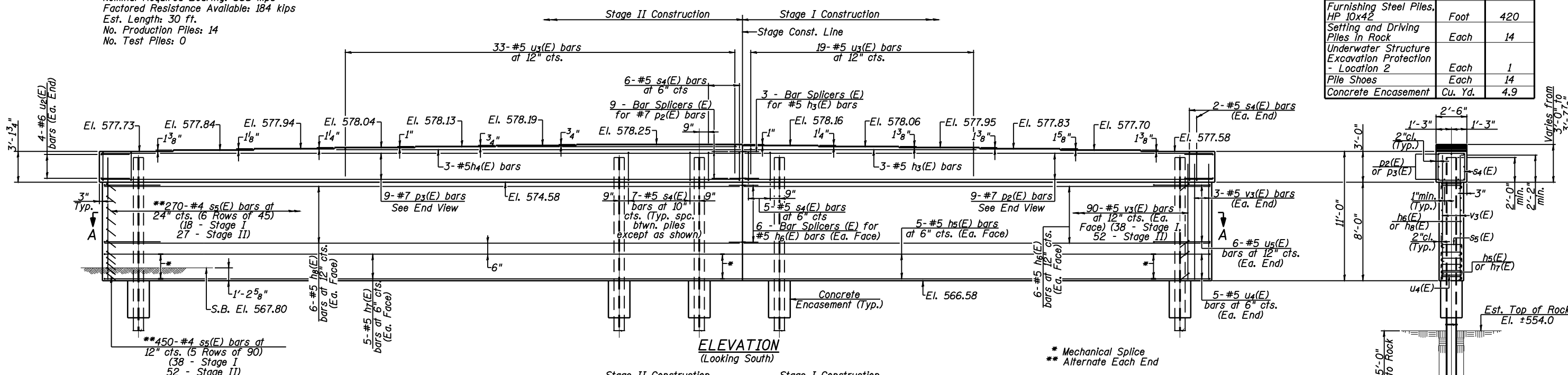
Bar	No.	Size	Length	Shape
h ₃ (E)	3	#5	18'-11"	—
h ₄ (E)	3	#5	32'-9"	—
h ₅ (E)	10	#5	34'-8"	—
h ₆ (E)	12	#5	36'-8"	—
h ₇ (E)	10	#5	45'-7"	—
h ₈ (E)	12	#5	50'-9"	—
p ₂ (E)	9	#7	36'-8"	—
p ₃ (E)	9	#7	50'-9"	—
s ₄ (E)	99	#5	10'-7"	□
s ₅ (E)	720	#4	2'-9"	┌
u ₂ (E)	8	#6	9'-3"	U
u ₃ (E)	52	#5	6'-8"	┌
u ₄ (E)	10	#5	10'-2"	U
u ₅ (E)	12	#5	11'-10"	U
v ₃ (E)	186	#5	10'-2"	—
Structure Excavation			Cu. Yd.	72
Concrete Structures			Cu. Yd.	81.5
Reinforcement Bars, Epoxy Coated			Pound	8820
Furnishing Steel Piles, HP 10x42			Foot	420
Setting and Driving Piles in Rock			Each	14
Underwater Structure Excavation Protection - Location 2			Each	1
Pile Shoes			Each	14
Concrete Encasement			Cu. Yd.	4.9



TOP PLAN

PILE DATA

Type: Steel HP 10x42 with Pile Shoes
 Nominal Required Bearing: 335 kips
 Factored Resistance Available: 184 kips
 Est. Length: 30 ft.
 No. Production Piles: 14
 No. Test Piles: 0

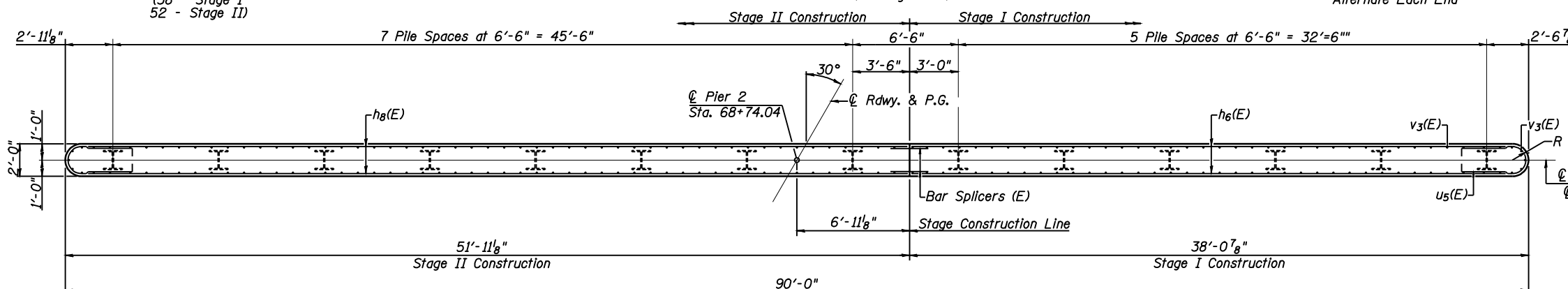


ELEVATION
(Looking South)

END VIEW

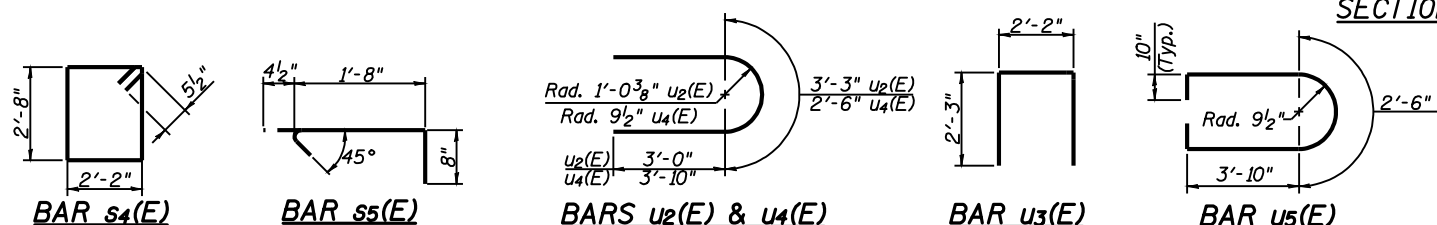
For details of Bar Splicers, see sheet 26 of 30.
 For details of piles and Concrete Encasement, see sheet 25 of 30.

If a portion of the pier wall or concrete encasement is under water, reinforcement may be placed underwater into forms. Concrete shall be tremied according to Article 503.08 of the Standard Specifications to an elevation of 1'-0" above the water line at the time of construction.



SECTION A-A

PIER 2
S.N. 084-0521



Allen Henderson & Associates, Inc.
 Civil and Structural Engineers Springfield, IL
 62703 Phone: (217)544-8033 IL Design Firm
 No. 184-001907

SHEET NO. 24
 30 SHEETS

F.A.P. RTE.	SECTION	COUNTY	TOTAL SHEETS	SHEET NO.
662	HRS-10,B-2)	SANGAMON	84	68
CONTRACT NO. 72A73				
FED. ROAD DIST. NO.		ILLINOIS FED. AID PROJECT		