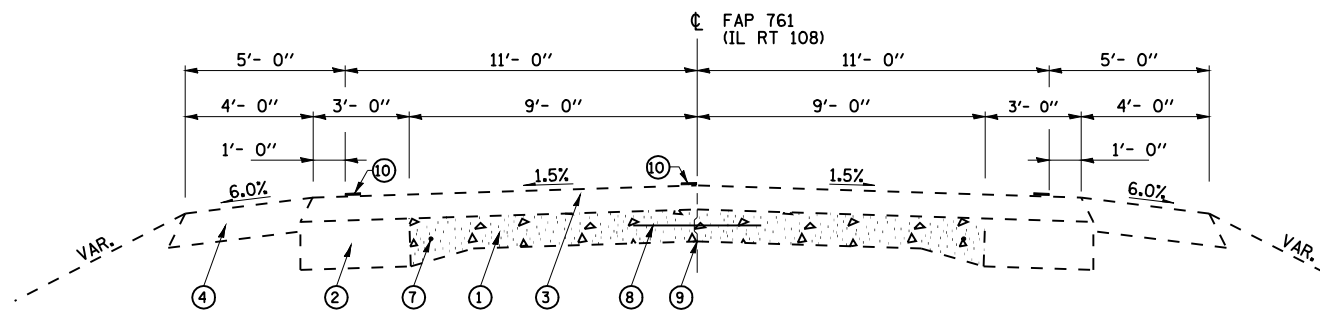
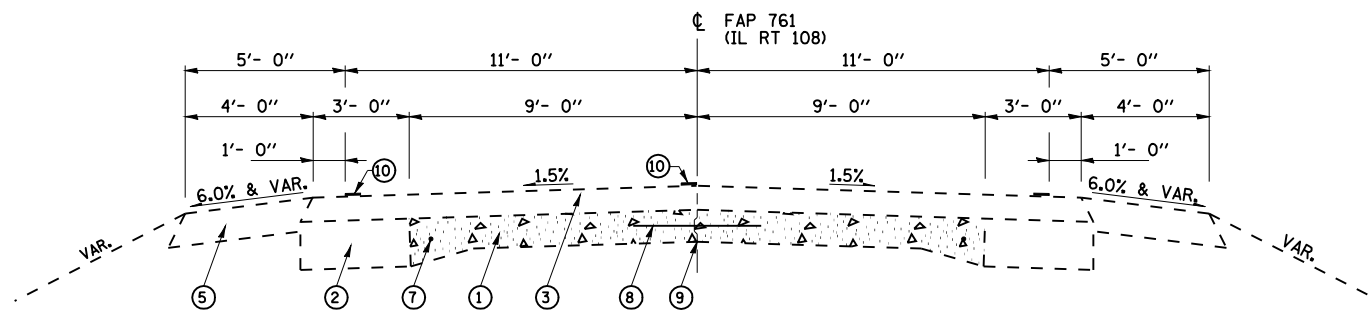


EXISTING ROADWAY TYPICALS



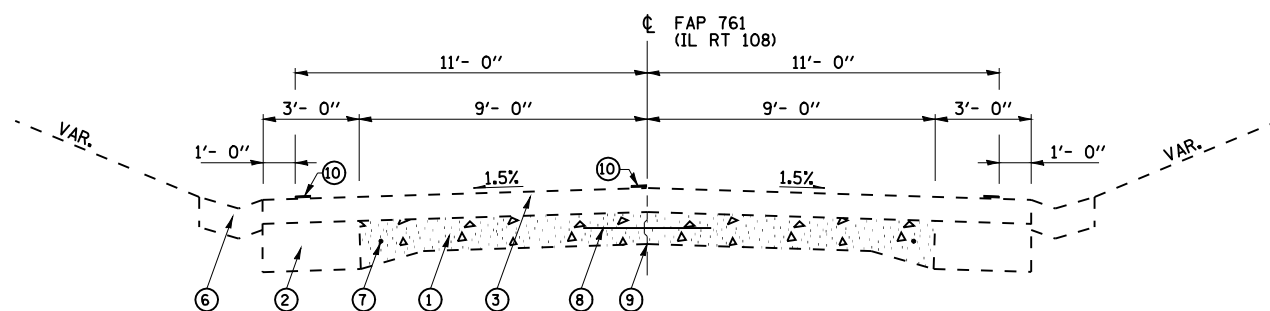
TYPICAL #1

LT. STA. 685+00 TO STA. 691+64.71
RT. STA. 685+00 TO STA. 691+78.16



TYPICAL #2

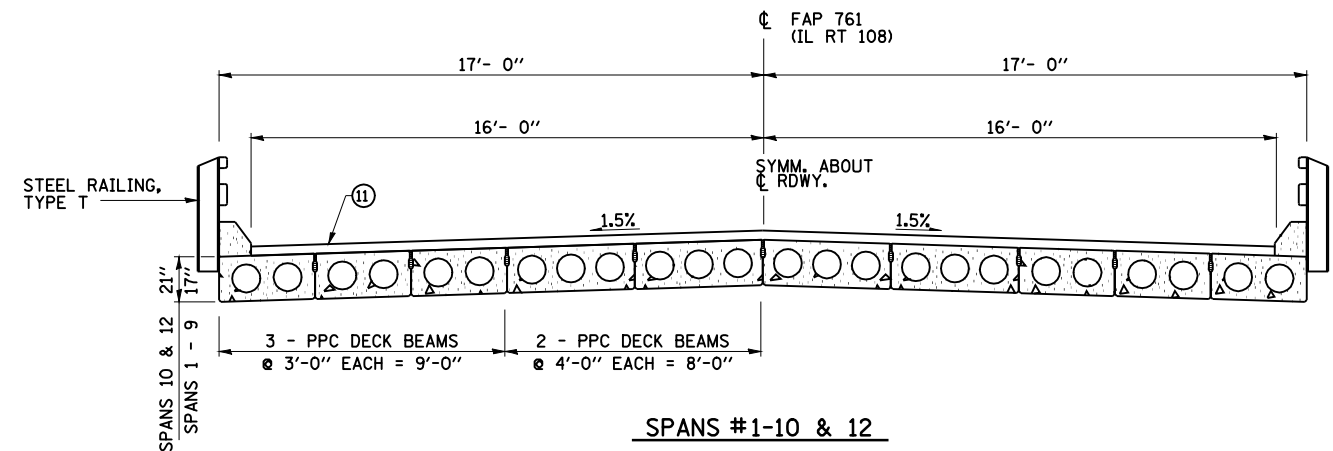
LT. STA. 691+64.71 TO STA. 692+77.69
RT. STA. 691+78.16 TO STA. 692+77.69
BRIDGE OMISSION STA. 692+77.69 TO STA. 698+38.41
LT. STA. 698+38.41 TO STA. 700+40.21
RT. STA. 698+38.41 TO STA. 700+25.39



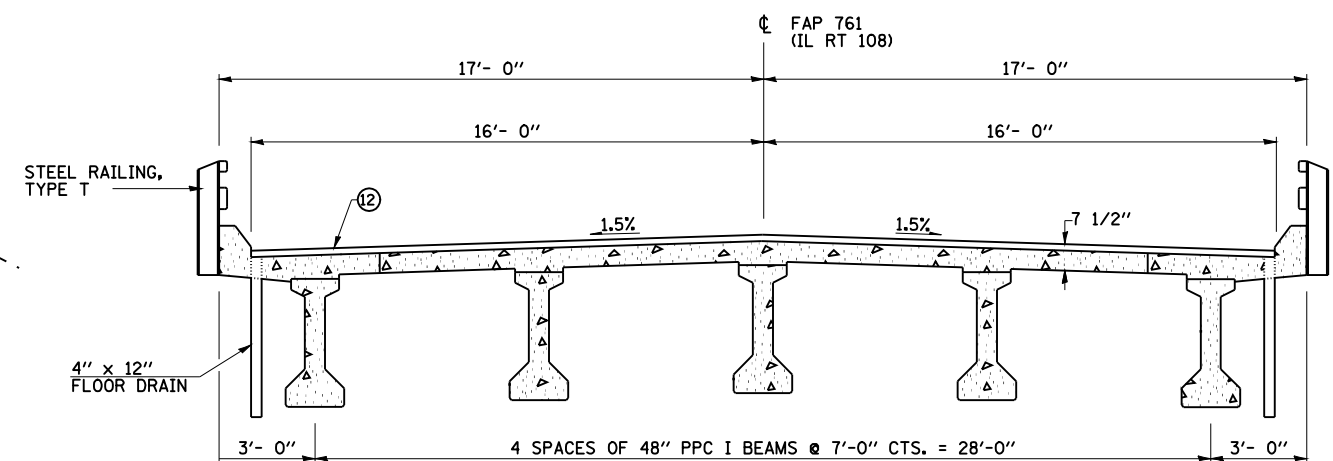
TYPICAL #3

LT. STA. 700+40.21 TO STA. 707+00.00
RT. STA. 700+25.39 TO STA. 707+00.00

EXISTING BRIDGE TYPICALS



SPANS #1-10 & 12



SPAN #11

EXISTING LEGEND

- ① EX PCC PAVEMENT (9-6-9)
- ② EX HOT-MIX ASPHALT BASE COURSE WIDENING - 9"
- ③ EX HOT-MIX ASPHALT OVERLAY (4")
- ④ EX AGGREGATE SHOULDERS
- ⑤ EX HOT-MIX ASPHALT SHOULDERS - 6"
- ⑥ EX GUTTER OR CLASS X CONC. OUTLETS
- ⑦ EX 3/4" SMOOTH BAR
- ⑧ EX 1/2" DEFORMED BAR
- ⑨ EX LONGITUDINAL METAL JOINT
- ⑩ EX PAVEMENT MARKING LINE
- ⑪ EX REINFORCED CONCRETE WEARING SYSTEM - 4 1/4" & VAR.
- ⑫ EX MICROSILICA CONCRETE OVERLAY - 2 1/2" & VAR.

FILE NAME =	USER NAME = laughlinr1	DESIGNED -	REVISED -
et:\pwork\pwork\LAUGHLINRL\0212999\672A94-Sht-Typical.dgn		DRAWN -	REVISED -
PLOT SCALE = 6.0000' / IN.		CHECKED -	REVISED -
PLOT DATE = Jun-28-2010 02:00:20PM		DATE -	REVISED -

**STATE OF ILLINOIS
DEPARTMENT OF TRANSPORTATION**

EXISTING TYPICAL SECTIONS

SCALE: _____ STA. TO STA. _____

F.A.P. RTE.	SECTION	COUNTY	TOTAL SHEETS	SHEET NO.
761	107B-2	MACOUPIN	98	8
CONTRACT NO. 72A94				
FED. ROAD DIST. NO. ILLINOIS FED. AID PROJECT				