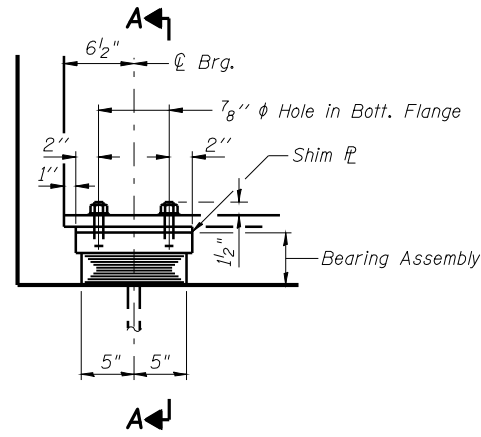
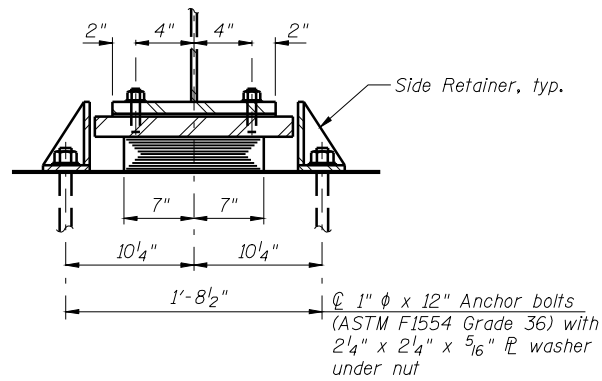


STATE OF ILLINOIS  
DEPARTMENT OF TRANSPORTATION

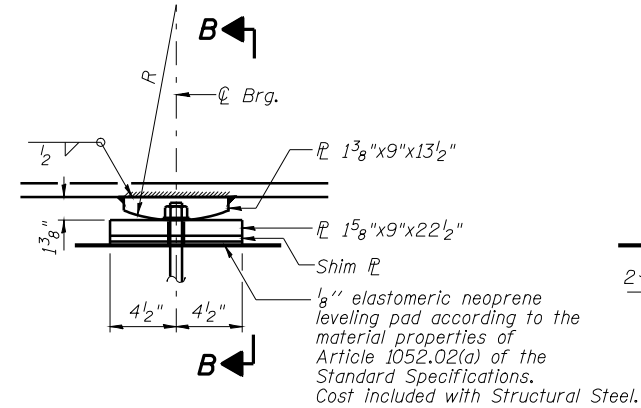


**ELEVATION AT E. ABUT AND PIER 3 - UNIT 1**

**TYPE I ELASTOMERIC EXP. BRG.**

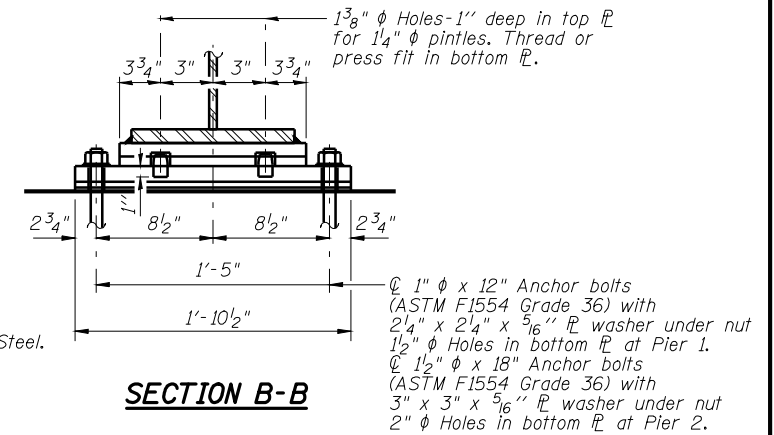


**SECTION A-A**

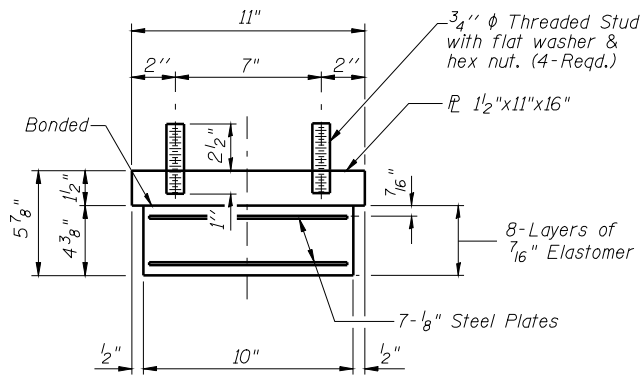


**ELEVATION AT PIER 1 AND 2**

**FIXED BEARING**  
(12 req'd)

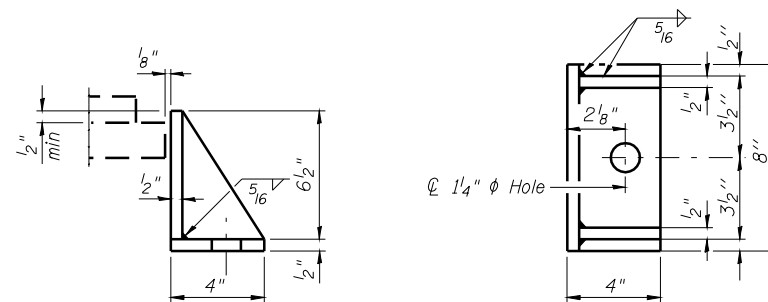


**SECTION B-B**

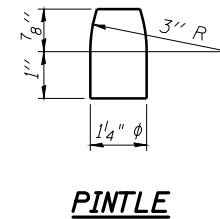


**BEARING ASSEMBLY**

Note:  
Shim plates shall not be placed under Bearing Assembly.



**SIDE RETAINER**  
Equivalent rolled angle with stiffeners will be allowed in lieu of welded plates.



Notes:  
Anchor bolts shall be ASTM F1554 all-thread (or an Engineer-approved alternate material) of the grade(s) and diameter(s) specified. ASTM A307 Grade C anchor bolts may be used in lieu of ASTM F1554 Grade 36 (Fy=36ksi). The corresponding specified grade of AASHTO M314 anchor bolts may be used in lieu of ASTM F1554.

Anchor bolts at fixed bearings may be either cast in place or installed in holes drilled after the supported member is in place.

Anchor bolts for side retainers may be cast in place or installed in holes drilled before or after members are in place.

Drilled and set anchor bolts shall be installed according to Article 521.06 of the Standard Specifications.

Side retainers and other steel members required for the bearing assembly shall be included in the cost of Elastomeric Bearing Assembly, Type I.

The structural steel plates and pintles of the bearing assembly shall conform to the requirements of AASHTO M270 Grade 50W.

The anchor bolt sizes and grades shown constitute a calculated seismic structural fuse. Substitution of higher diameter and/or grade anchor bolts will not be allowed.

Two 1/8 inch adjusting shims shall be provided for each bearing in addition to all other plates or shims and placed as shown on bearing details.

**BILL OF MATERIAL**

Item	Unit	Total
Elastomeric Bearing Assembly Type I	Each	12
Anchor Bolts 1"	Each	36
Anchor Bolts 1 1/2"	Each	12

DESIGNED -	J.M.B.
CHECKED -	T.E.S.
DRAWN -	R KING
CHECKED -	J.M.B.

**HOMER L. CHASTAIN & ASSOCIATES, LLP**  
CONSULTING ENGINEERS

DECATUR (217) 422-8544  
CHICAGO (773) 714-0050  
ROCKFORD (815) 489-0050

184-001397

I-2E-1

11-1-09

**BEARING DETAILS - UNIT 1**  
**STRUCTURE NUMBER 059-0510**

SHEET NO. 30 OF 51 SHEETS	F.A.P. RTE.	SECTION	COUNTY	TOTAL SHEETS	SHEET NO.
	761	107B-2	MACOUPIN	98	60
FAP ROUTE 761 (IL RT 108)			CONTRACT NO. 72A94		
FED. ROAD DIST. NO.		ILLINOIS FED. AID PROJECT			