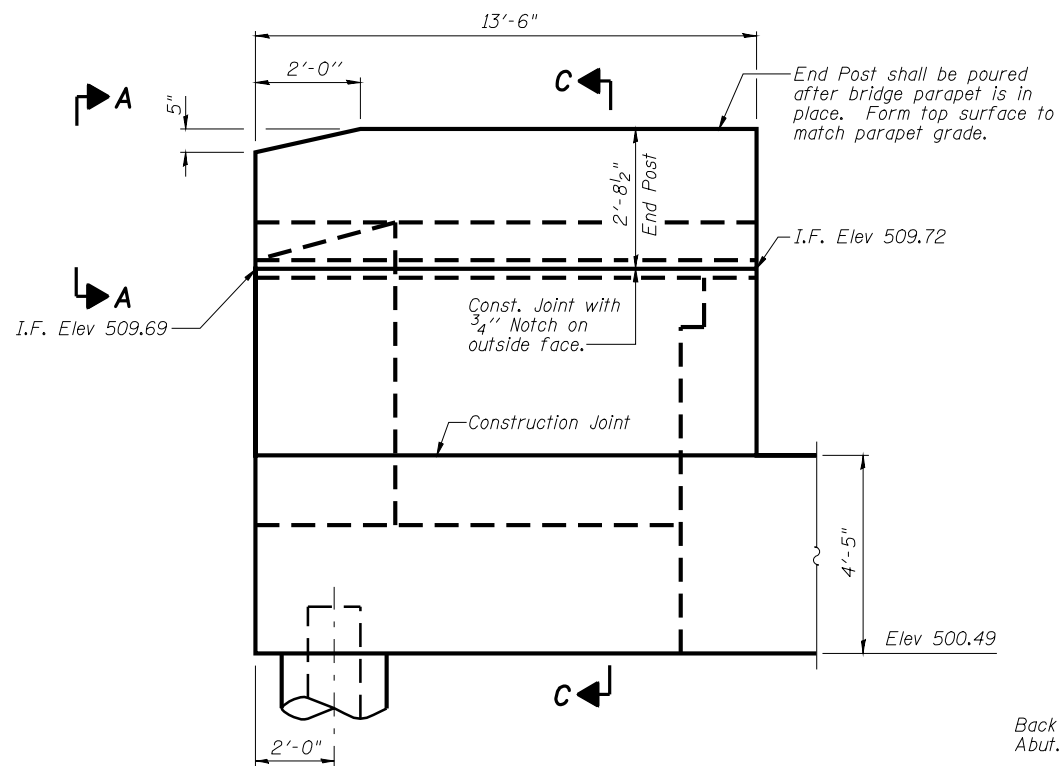
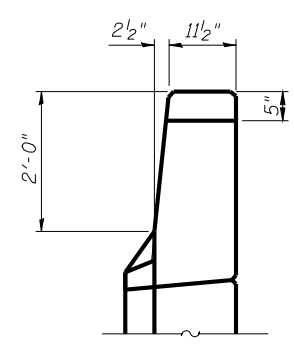


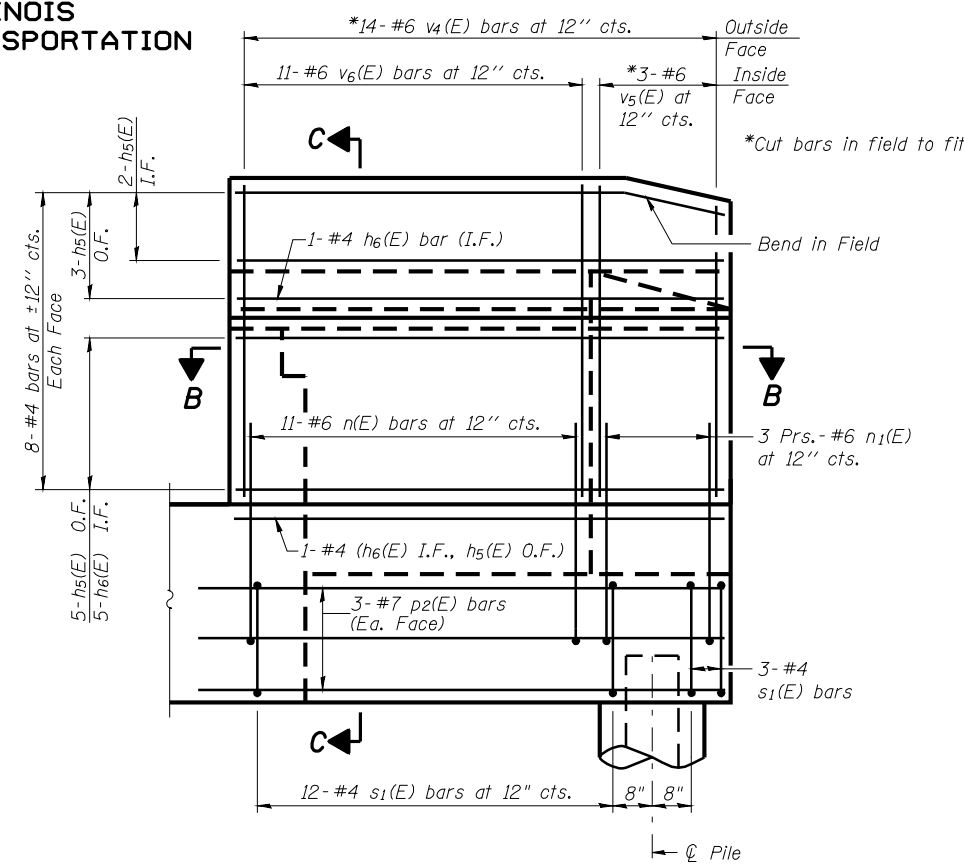
STATE OF ILLINOIS  
DEPARTMENT OF TRANSPORTATION



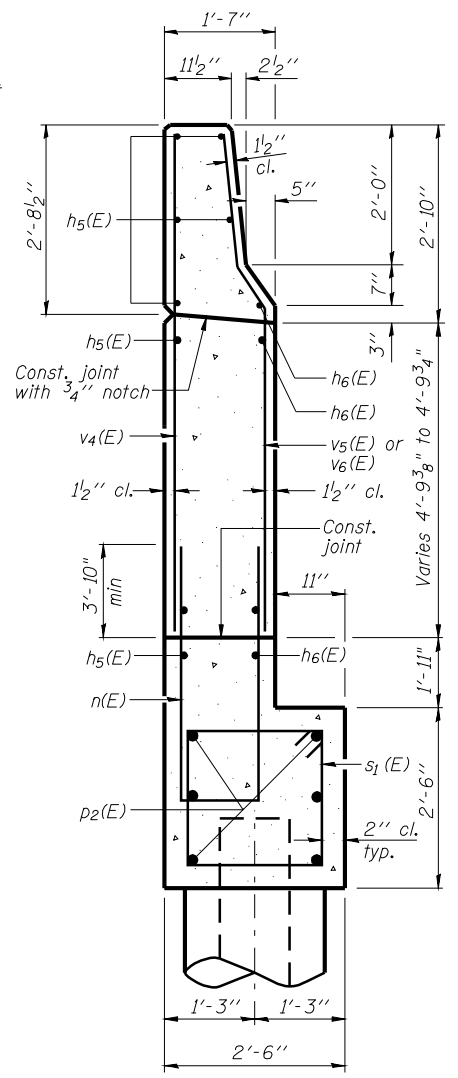
**WING WALL ELEVATION**  
Showing Dimensions



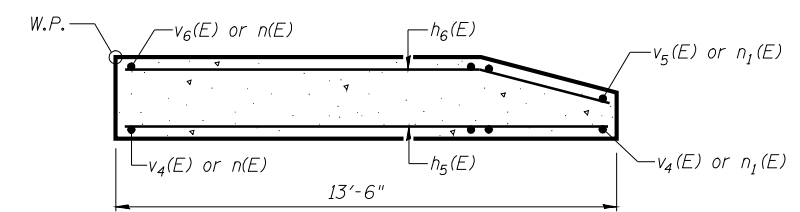
**VIEW A-A**  
(South wingwall only)



**WING WALL ELEVATION**  
Showing Reinforcement

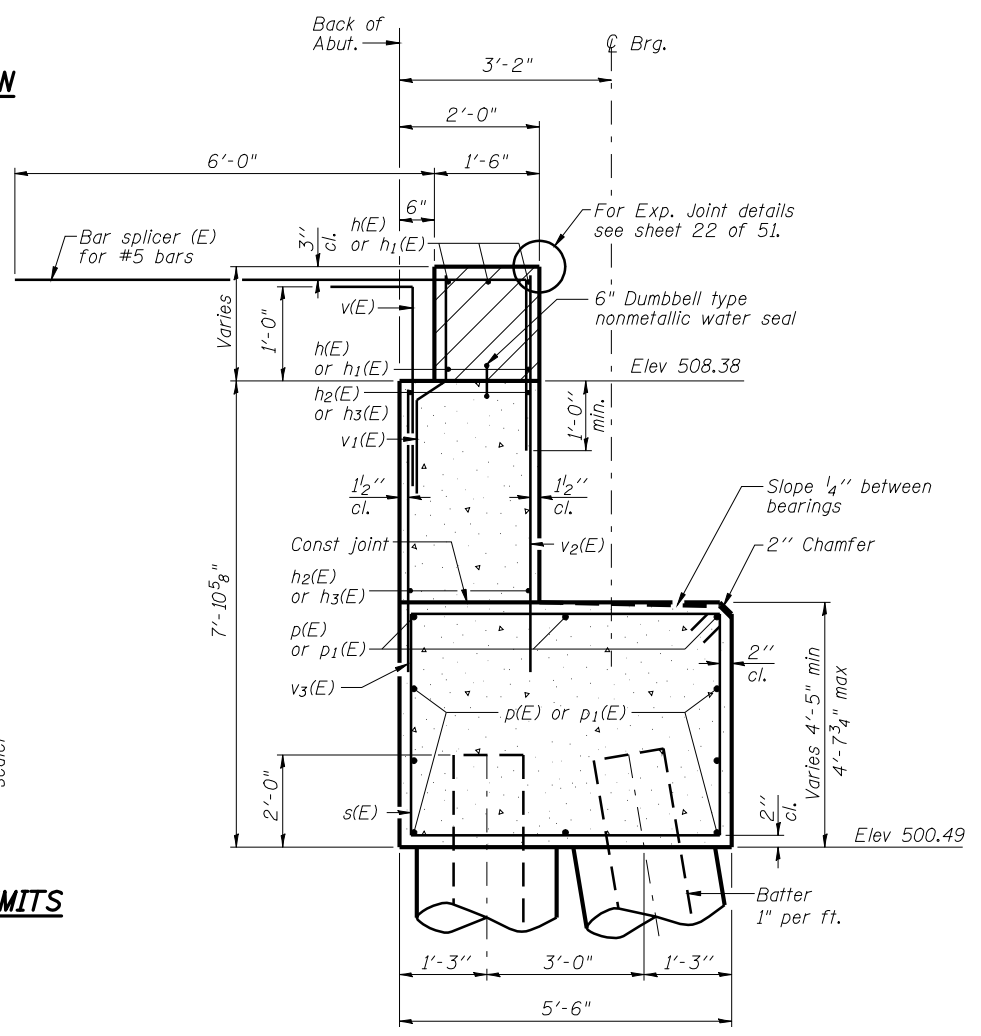


**SECTION C-C**

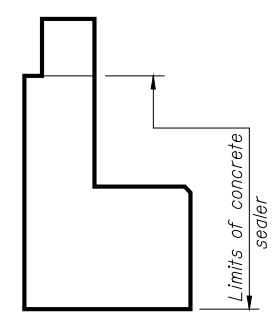


**SECTION B-B**

Notes:  
Hatched area to be poured after superstructure false work has been removed. Quantity of concrete included with Concrete Superstructure on sheet 21 of 51.  
Space reinforcement in cap to miss anchor bolts.  
Pour steps monolithically with cap.  
Quantity of concrete in end post included with Concrete Superstructure on sheet 21 of 51.  
For Concrete Encasement details, see sheet 44 of 51.  
I.F. = Inside Face O.F. = Outside Face



**SEC. THRU ABUT.**



**CONCRETE SEALER LIMITS**

DESIGNED -	J.M.B.
CHECKED -	T.E.S.
DRAWN -	R KING
CHECKED -	J.M.B.

**HOMER L. CHASTAIN & ASSOCIATES, LLP**  
CONSULTING ENGINEERS

DECATUR (217) 422-8544  
CHICAGO (773) 714-0050  
ROCKFORD (815) 489-0050

184-001397

A-1-D 10-1-08

**EAST ABUTMENT DETAILS  
STRUCTURE NUMBER 059-0510**

SHEET NO. 33 OF 51 SHEETS	F.A.P. RTE.	SECTION	COUNTY	TOTAL SHEETS	SHEET NO.
	761	107B-2	MACOUPIN	98	63
FAP ROUTE 761 (IL RT 108)			CONTRACT NO. 72A94		
FED. ROAD DIST. NO.		ILLINOIS FED. AID PROJECT			