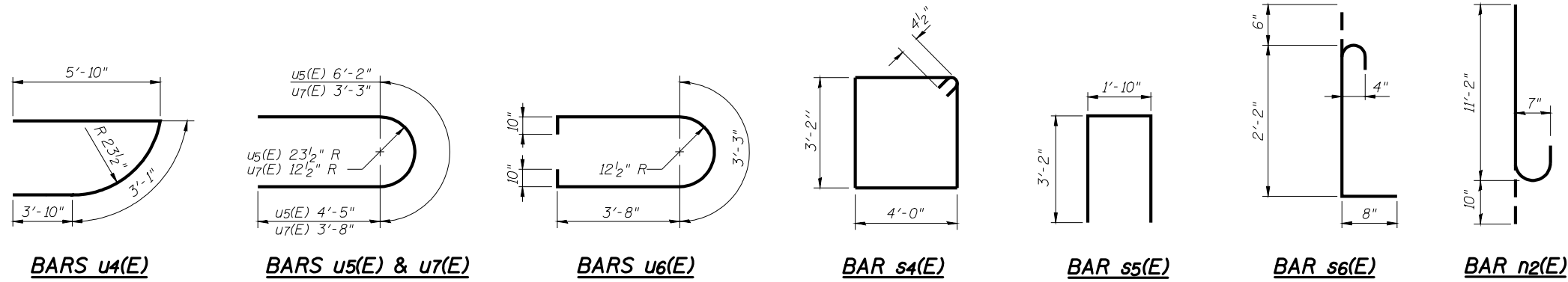
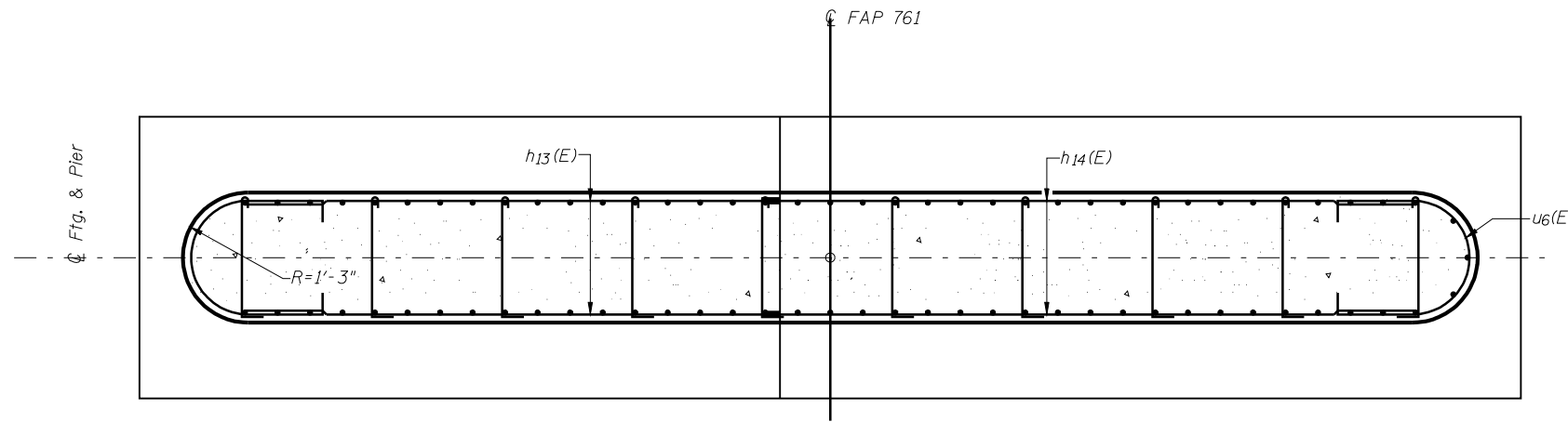


STATE OF ILLINOIS
DEPARTMENT OF TRANSPORTATION

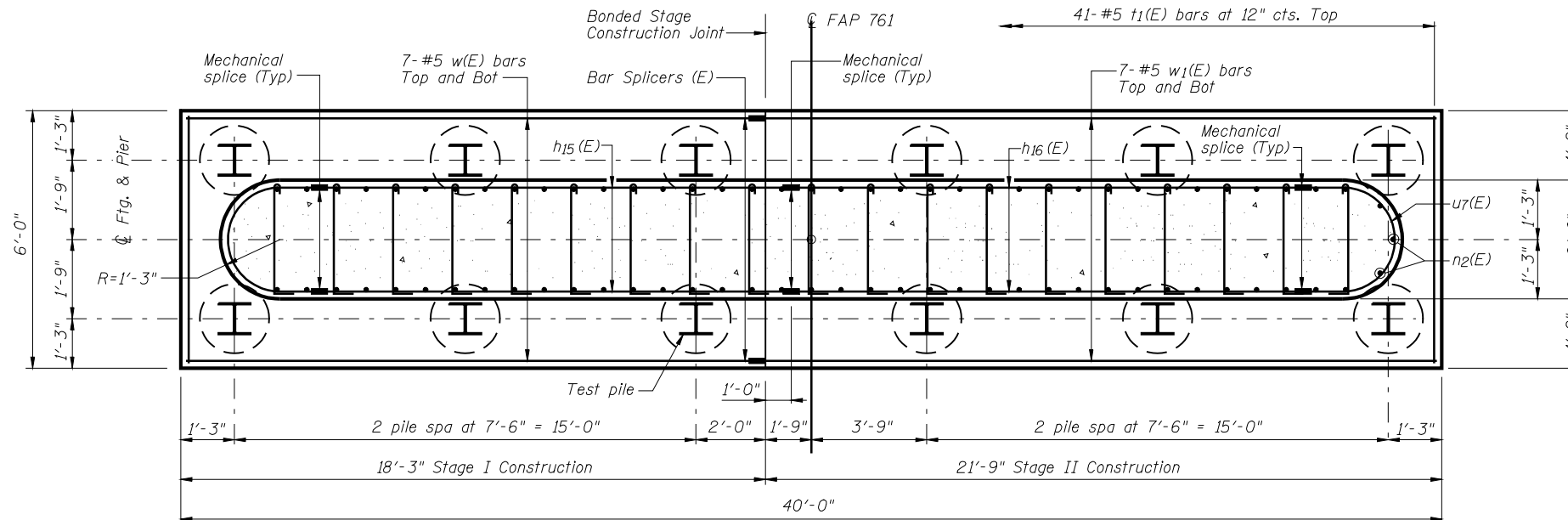


Alternate the position of the 90° hooks on the s6(E) bars in the field.



PILE DATA

Type: Steel HP12x63 with pile shoes
Nominal Required Bearing: 497 kips
Factored Resistance Available: 242 kips
Est. Length: 71'
No. Req'd: 11
Test Pile: 1



BILL OF MATERIAL

Bar	No.	Size	Length	Shape
h13(E)	6	#5	16'-1"	—
h14(E)	6	#5	19'-7"	—
h15(E)	12	#5	14'-0"	—
h16(E)	12	#5	15'-6"	—
n2(E)	80	#7	12'-0"	U
p6(E)	15	#7	15'-6"	—
p7(E)	15	#7	19'-0"	—
s4(E)	47	#4	15'-1"	—
s5(E)	47	#4	8'-2"	—
s6(E)	163	#4	3'-4"	—
t(E)	37	#7	5'-9"	—
t1(E)	41	#5	5'-9"	—
u4(E)	6	#6	12'-9"	—
u5(E)	8	#6	13'-10"	—
u6(E)	6	#5	11'-5"	—
u7(E)	12	#5	9'-9"	—
w(E)	14	#5	18'-0"	—
w1(E)	14	#5	21'-6"	—
Structure Excavation		Cu. Yd.	74	
Concrete Structures		Cu. Yd.	76.2	
Reinforcement Bars, Epoxy Coated		Pound	6440	
Furnishing Steel Piles HP12x63		Foot	781	
Driving Piles		Foot	781	
Pile Shoes		Each	12	
Test Pile Steel HP12x63		Each	1	
Concrete Sealer		Sq. Ft.	982	
Mechanical Splice		Each	36	
Bar Splicers		Each	35	

Note:
Pour steps monolithically with cap.
Reinforcement Bars designated (E) shall be epoxy coated.
For details of Bar Splicers, see sheet 45 of 51.
For details of piles see sheet 44 of 51.
All edges shall have standard 3/4" chamfer.
Space reinforcement in cap to miss anchor bolts.

(Sheet 2 of 2)

**PIER 3 DETAILS
STRUCTURE NUMBER 059-0510**

DESIGNED -	J.M.B.
CHECKED -	T.E.S.
DRAWN -	R KING
CHECKED -	J.M.B.

HOMER L. CHASTAIN & ASSOCIATES, LLP
CONSULTING ENGINEERS
DECATUR (217) 422-8544
CHICAGO (773) 714-0050
ROCKFORD (815) 489-0050
184-001397

SHEET NO. 41 OF 51 SHEETS	F.A.P. RTE. 761	SECTION 107B-2	COUNTY MACOUPIN	TOTAL SHEETS 98	SHEET NO. 71
	FAP ROUTE 761 (IL RT 108)		CONTRACT NO. 72A94		
FED. ROAD DIST. NO.		ILLINOIS FED. AID PROJECT			