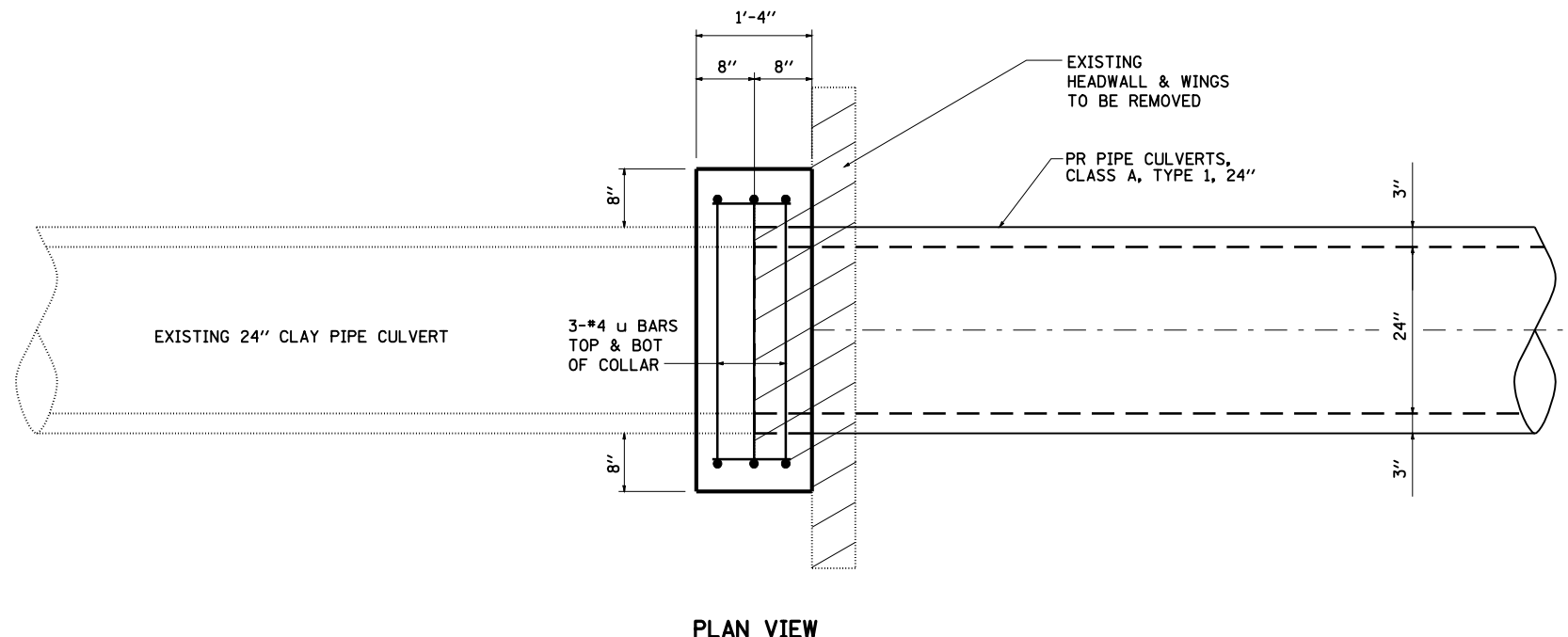


**BILL OF MATERIAL**

ITEM	UNIT	QUANTITY
CONCRETE COLLAR	CU YD	0.5
REINFORCEMENT BARS	POUND	45



**CULVERT EXTENSION & COLLAR DETAIL  
STA 688+85 RT**

**NOTES:**  
 ALL CONCRETE SHALL BE CLASS SI CONCRETE.  
 ALL REBAR SHALL BE AASHTO M-31 OR M-322, GRADE 60.  
 PROVIDE 2" CLEAR TO REINFORCEMENT BARS UNLESS NOTED OTHERWISE.