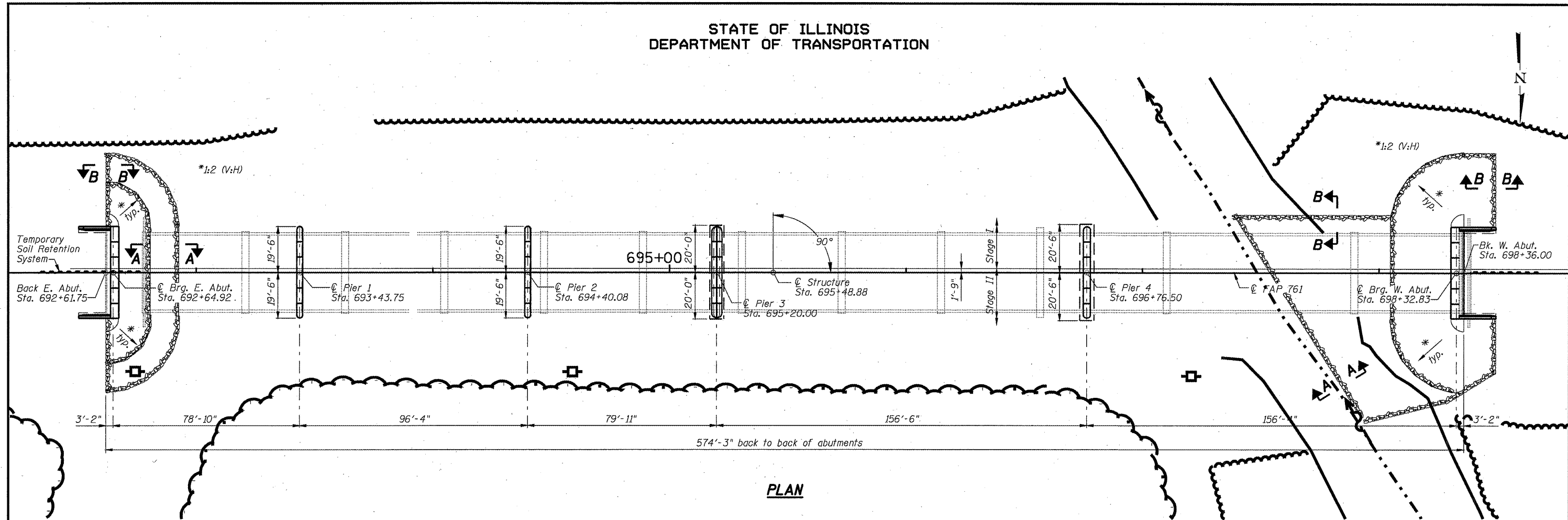
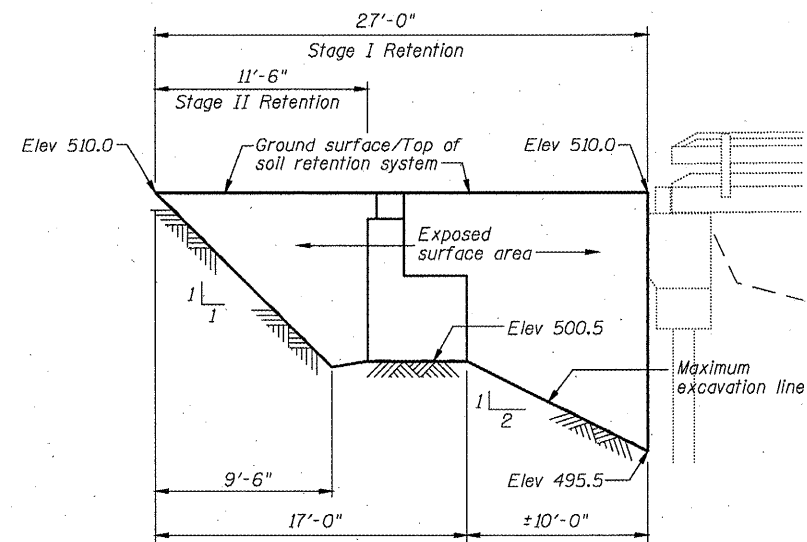


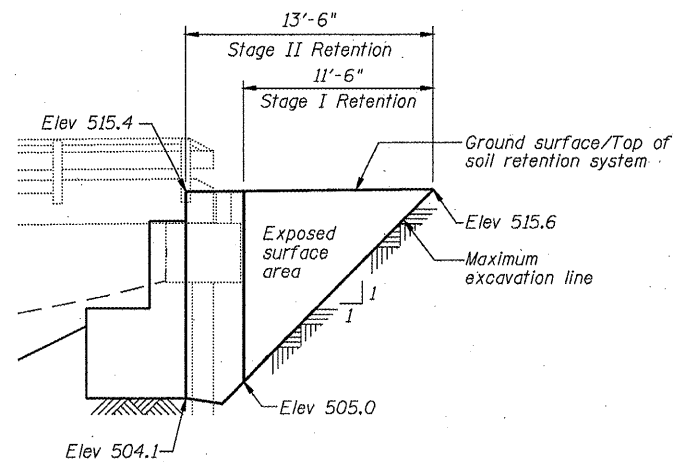
STATE OF ILLINOIS
DEPARTMENT OF TRANSPORTATION



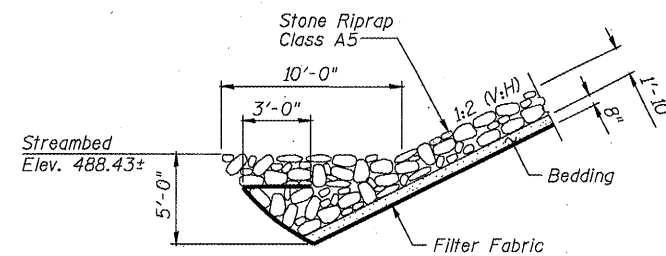
PLAN



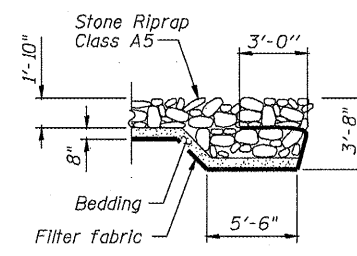
EAST ABUTMENT



WEST ABUTMENT



SECTION A-A



SECTION B-B

TEMPORARY SOIL RETENTION SYSTEM

A cantilevered sheet piling system does not appear feasible and additional members or other retention systems may be necessary. The Contractor shall submit a temporary soil retention system design including plan details and calculations for review and acceptance by the Engineer.

DESIGNED -	J.M.B.
CHECKED -	T.E.S.
DRAWN -	R KING
CHECKED -	J.M.B.

HOMER L.
CHASTAIN
& ASSOCIATES, LLP
CONSULTING ENGINEERS
DECATUR (217) 422-8544
CHICAGO (773) 714-0050
ROCKFORD (815) 489-0050
184-001397

FOUNDATION PLAN AND DETAILS
STRUCTURE NUMBER 059-0510

SHEET NO. 3 OF 51 SHEETS	F.A.P. RTE.	SECTION	COUNTY	TOTAL SHEETS	SHEET NO.
	761	107B-2	MACOUPIN	98	33
FAP ROUTE 761 (IL RT 108)			CONTRACT NO. 72A94		
FED. ROAD DIST. NO.		ILLINOIS FED. AID PROJECT			