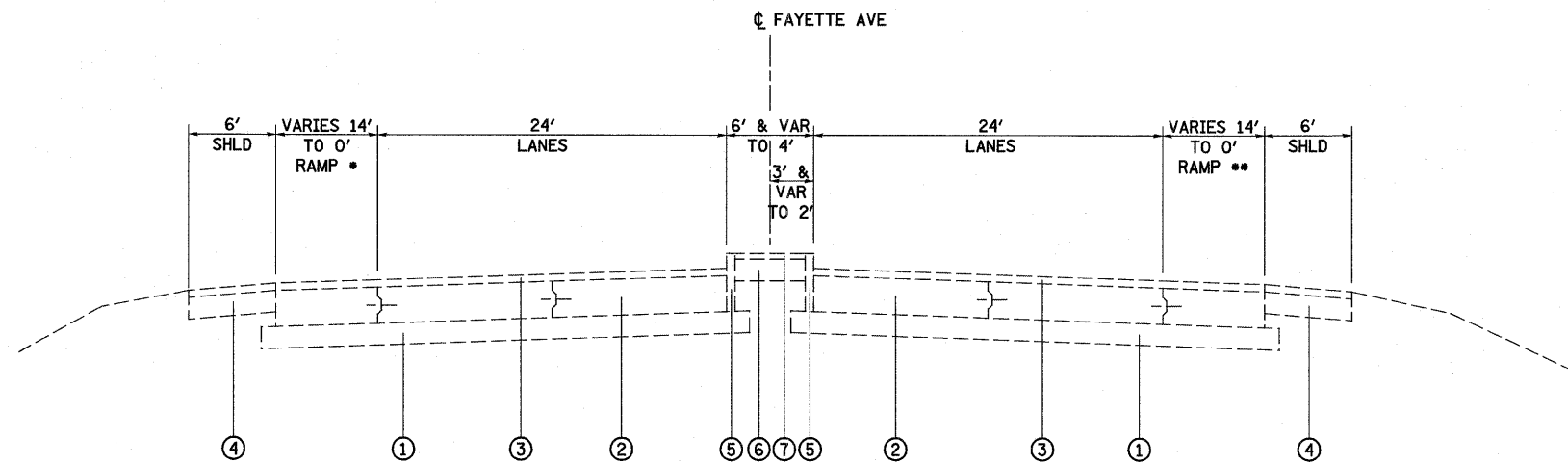


EXISTING TANGENT SECTION
STA 53+91.96 TO STA 58+79.53



EXISTING TANGENT SECTION

• RAMP ENDS LT STA 62+70.80

STA 58+79.53 TO STA 68+07.55

•• RAMP ENDS RT STA 68+07.55

MEDIAN ENDS STA 67+16.06

EXISTING FAYETTE AVE

LEGEND

- ① EXISTING SUB-BASE GRANULAR MATERIAL, TYPE A 6"
- ② EXISTING PCC PAVEMENT 10" (w/LONG METAL JT & PAVT FABRIC)
- ③ EXISTING ASPHALT RESURFACING 2"±
- ④ EXISTING PAVED SHOULDER
- ⑤ EXISTING CURB OR CURB & GUTTER
- ⑥ EXISTING AGGREGATE BASE 6"
- ⑦ EXISTING ASPHALT SURFACE 1.5"

| | | | | | | | | | | | | |
|-------------------------------------------------------|------------------|----------------|-----------------------------------------------|-----------------------------------------------------------|------------------------------------------------|--|-------------------------|-------------|--------------|--------|--------------|-----------|
| FILE NAME = | USER NAME = paul | DESIGNED - JWS | REVISED - | STATE OF ILLINOIS DEPARTMENT OF TRANSPORTATION | EXISTING TYPICAL SECTIONS - FAYETTE AVE | | | F.A.I. RTE. | SECTION | COUNTY | TOTAL SHEETS | SHEET NO. |
| Si\Projects\403-00072.51-70\dgn\Fayette\Typesofay.dgn | DRAWN - BOB | REVISED - | 57/70 | | | | | (25-3)-6 | EFFINGHAM | 839 | 10 | |
| PLOT SCALE = 100.0000' / IN. | CHECKED - BRM | REVISED - | SCALE: 1"=50' | | | | SHEET NO. 3 OF 4 SHEETS | | STA. TO STA. | | | |
| PLOT DATE = 6/23/2010 | DATE - 11-05-07 | REVISED - | FED. ROAD DIST. NO. ILLINOIS FED. AID PROJECT | | | | | | | | | |

CONTRACT NO. 74293