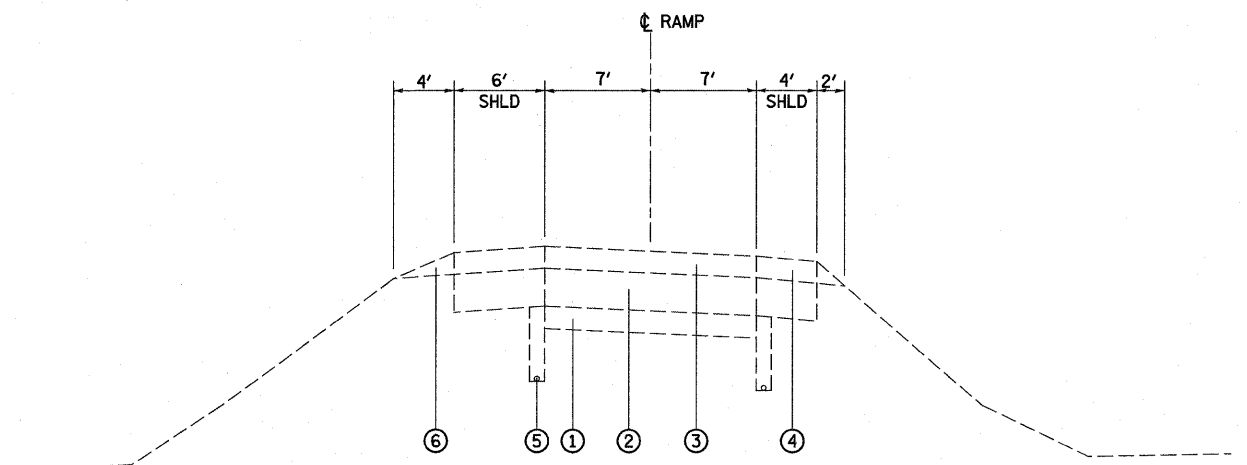
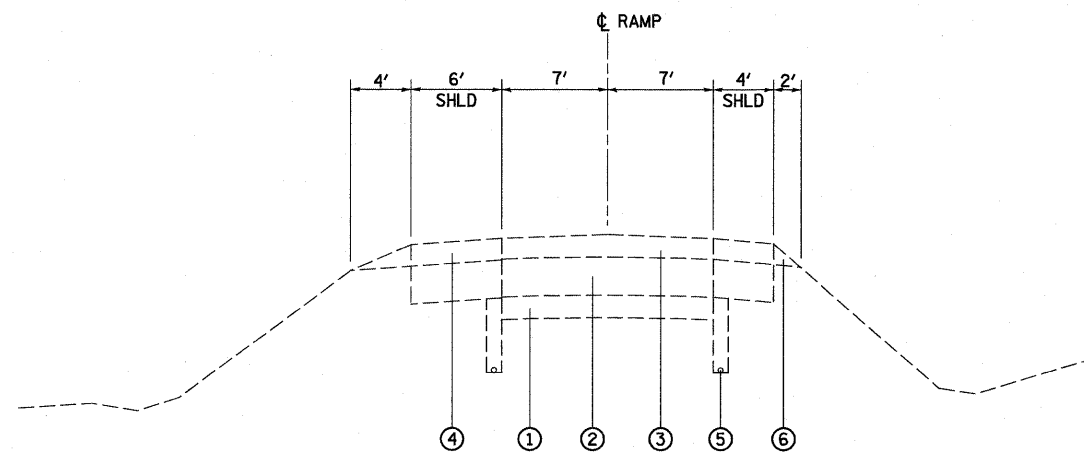


**EXISTING TANGENT SECTION
W/CURB & GUTTER**
STA 0+20.67 TO STA 1+24.31



EXISTING SUPERELEVATED SECTION
STA 3+13.68 TO STA 6+63.88
STA 9+40.72 TO STA 15+48.83



EXISTING TANGENT SECTION
STA 1+24.31 TO STA 3+13.68
STA 6+63.88 TO STA 9+40.72

**EXISTING RAMP A
(FAYETTE AVE)**

LEGEND

- ① EXISTING SUB-BASE GRANULAR MATERIAL, TYPE A 6"
- ② EXISTING PCC PAVEMENT 10" (w/LONG METAL JT & PAVT FABRIC)
- ③ EXISTING ASPHALT RESURFACING 6"±
- ④ EXISTING PAVED SHOULDER
- ⑤ EXISTING PIPE UNDERDRAINS
- ⑥ EXISTING AGGREGATE SHOULDERS
- ⑦ EXISTING CURB OR CURB & GUTTER

FILE NAME =	USER NAME = paul	DESIGNED - JWS	REVISED -	STATE OF ILLINOIS DEPARTMENT OF TRANSPORTATION	EXISTING TYPICAL SECTIONS - FAYETTE AVE, RAMP A	F.A.I. RTE.	SECTION	COUNTY	TOTAL SHEETS	SHEET NO.	
S:\Projects\403-00072-51-10\dgn\Fayette\typeof\ayl\ps.dgn	PLOT SCALE = 100.0000' / IN.	DRAWN - BOB	REVISED -			57/70	(25-3)I-6	EFFINGHAM	839	12	
PLOT DATE = 6/23/2010	DATE - 11-05-07	CHECKED - BRM	REVISED -			SCALE: 1"=50'		SHEET NO. 1 OF 4 SHEETS		STA. TO STA.	
		DATE - 11-05-07	REVISED -			FED. ROAD DIST. NO.		ILLINOIS FED. AID PROJECT		CONTRACT NO. 74293	