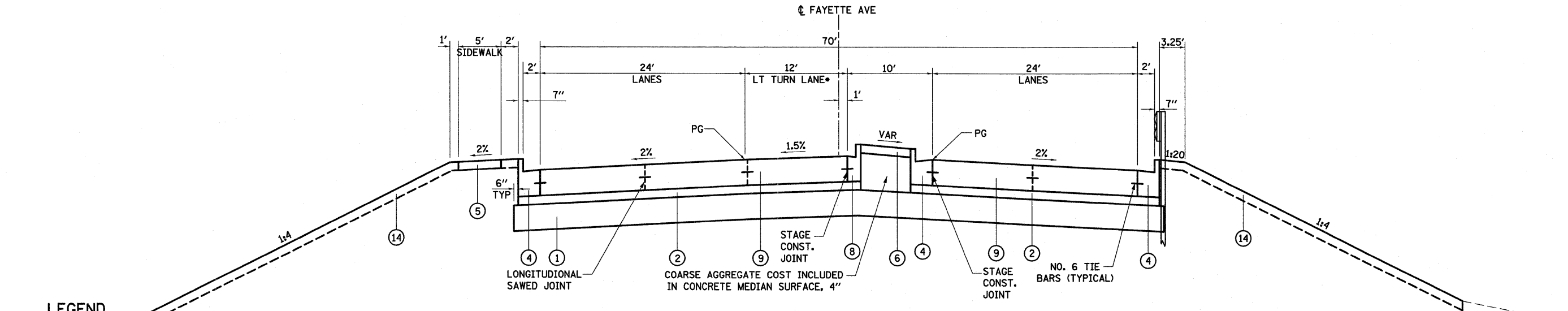


PROPOSED TANGENT SECTION
STA 46+25.00 TO STA 47+56.16

• RAISED MEDIAN BEGINS 3.25' R NOSE, 4.25' RT STA 46+89.90
•• WIDEN SHOULDER TO 4' STA 46+24.38 TO STA 46+59.38



PROPOSED TANGENT SECTION
STA 47+56.16 TO STA 48+56.16

• 12' LT TURN LANE ENDS STA 49+64.90
PAVING OMISSION - STA 48+56.16 TO STA 51+50.79

LEGEND

- ① PROPOSED LIME MODIFIED SOIL 12"
- ② PROPOSED STABILIZED SUB-BASE 4" (BAM)
- ③ PROPOSED PORTLAND CEMENT CONCRETE PAVEMENT 10" (JOINTED)
- ④ PROPOSED COMBINATION CONCRETE CURB AND GUTTER, TYPE B-6.24
- ⑤ PROPOSED PORTLAND CEMENT CONCRETE SIDEWALK 4"
- ⑥ PROPOSED CONCRETE MEDIAN SURFACE, 4"
- ⑦ PROPOSED CORRUGATED MEDIAN
- ⑧ PROPOSED COMBINATION CONCRETE CURB AND GUTTER, TYPE B-6.06
- ⑨ PROPOSED BRIDGE APPROACH SLAB (SEE STRUCTURE PLANS)
- ⑩ PROPOSED SUB-BASE GRANULAR MATERIAL, TYPE C
- ⑪ PROPOSED CONCRETE MEDIAN, TYPE SB (DOWELLED)
- ⑫ PROPOSED PORTLAND CEMENT CONCRETE PAVEMENT 10 1/2 " (JOINTED)
- ⑬ PROPOSED AGGREGATE SHOULDERS, TYPE B 6"
- ⑭ PROPOSED TOPSOIL 4"
- ⑮ PROPOSED PIPE UNDERDRAINS 4"
- ⑯ PROPOSED PORTLAND CEMENT CONCRETE PAVEMENT, 12"
- ⑰ PROPOSED PAVEMENT FABRIC
- ⑱ PROPOSED AGGREGATE BASE COURSE, TYPE B, 8"
- ⑲ PROPOSED AGGREGATE SHOULDER TYPE B
- ⑳ PROPOSED LIME MODIFIED SOIL 18"

PROPOSED FAYETTE AVE

S:\Projects\403-00072-57-70\dgn\Fayette\typsec\fy.dgn	DESIGNED - JWS	REVISED - 08-02-10	STATE OF ILLINOIS DEPARTMENT OF TRANSPORTATION	PROPOSED TYPICAL SECTIONS - FAYETTE AVE			F.A.I. RTE. 57/70	SECTION (25-3)I-6	COUNTY EFFINGHAM	TOTAL SHEETS 839	SHEET NO. 19
	PLOT SCALE = 5/8"=20' / IN.	DRAWN - BOB					REVISED -	SCALE: 1"=50'	SHEET NO. 4 OF 8 SHEETS	STA. TO STA.	FED. ROAD DIST. NO.
PLOT DATE = 8/2/2010	CHECKED - BRM	REVISED -									
	DATE - 11-05-07	REVISED -									