

STRUCTURAL DESIGN INFORMATION
FAYETTE RAMPS A, B, C, AND D

ROAD CLASSIFICATION: CLASS I

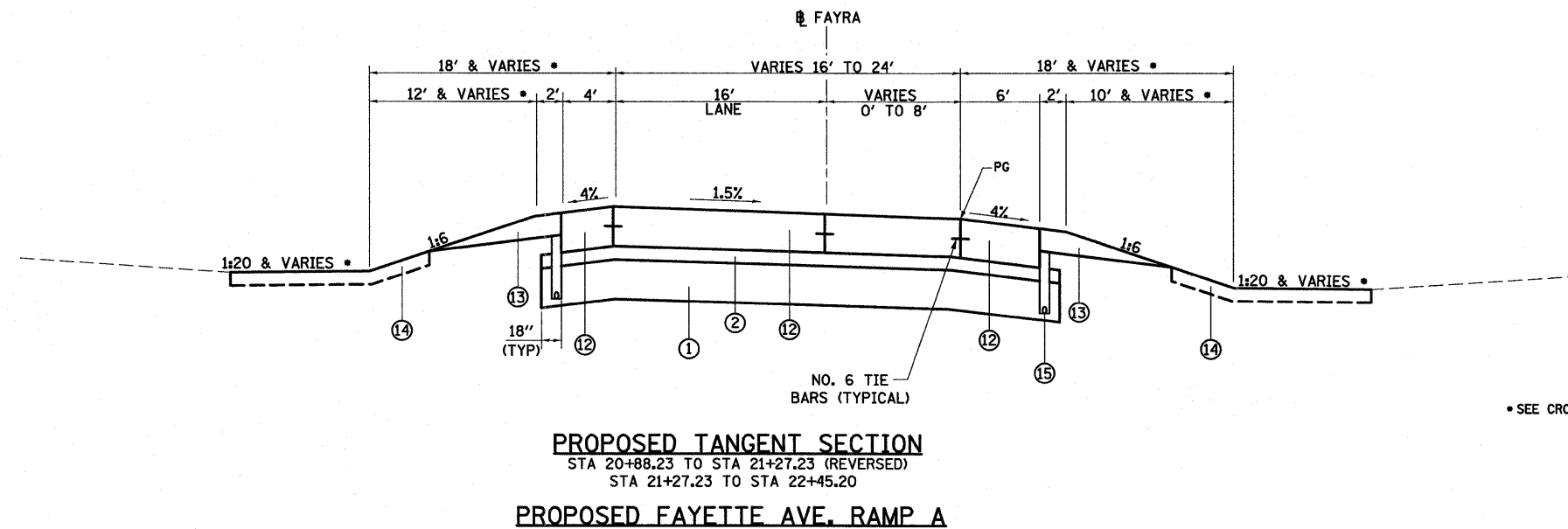
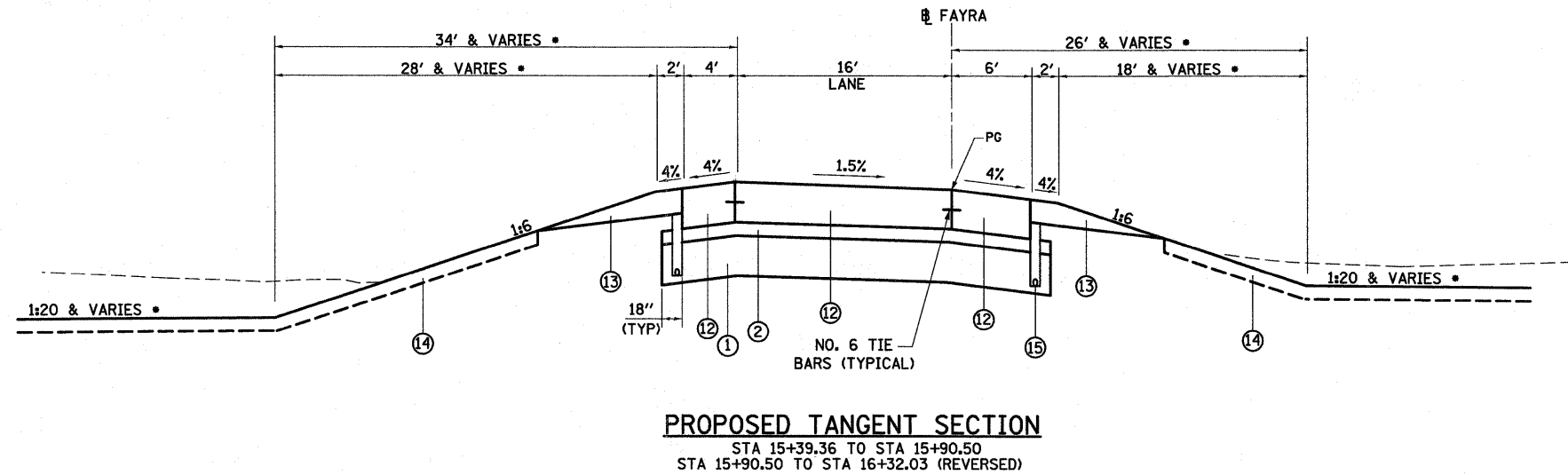
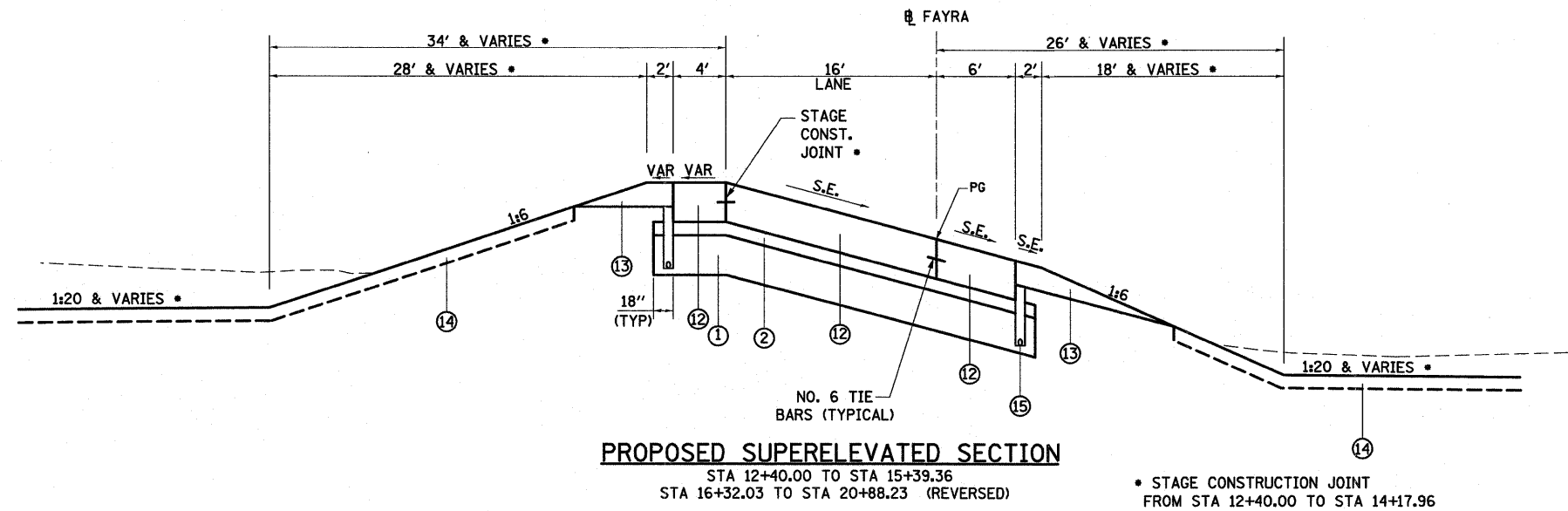
STRUCTURAL DESIGN TRAFFIC: 2030
 PV = 3,594 SU = 266 MU = 1,930

PERCENT OF STRUCTURAL DESIGN TRAFFIC IN DESIGN LANE
 P = 100% S = 100% M = 100%

MINIMUM SUBGRADE SUPPORT RATING: POOR

RIGID PAVEMENT DESIGN: MINIMUM $T_F = 13.40$
 ACTUAL $T_F = 86.75$

SELECTED DESIGN 10.0 JRCP



LEGEND

- ① PROPOSED LIME MODIFIED SOIL 12"
- ② PROPOSED STABILIZED SUB-BASE 4" (BAM)
- ③ PROPOSED PORTLAND CEMENT CONCRETE PAVEMENT 10" (JOINTED)
- ④ PROPOSED COMBINATION CONCRETE CURB AND GUTTER, TYPE B-6.24
- ⑤ PROPOSED PORTLAND CEMENT CONCRETE SIDEWALK 4"
- ⑥ PROPOSED CONCRETE MEDIAN SURFACE, 4"
- ⑦ PROPOSED CORRUGATED MEDIAN
- ⑧ PROPOSED COMBINATION CONCRETE CURB AND GUTTER, TYPE B-6.06
- ⑨ PROPOSED BRIDGE APPROACH SLAB (SEE STRUCTURE PLANS)
- ⑩ PROPOSED SUB-BASE GRANULAR MATERIAL, TYPE C
- ⑪ PROPOSED CONCRETE MEDIAN, TYPE SB (DOWELLED)
- ⑫ PROPOSED PORTLAND CEMENT CONCRETE PAVEMENT 10 1/2" (JOINTED)
- ⑬ PROPOSED AGGREGATE SHOULDERS, TYPE B 6"
- ⑭ PROPOSED TOPSOIL 4"
- ⑮ PROPOSED PIPE UNDERDRAINS 4"
- ⑯ PROPOSED PORTLAND CEMENT CONCRETE PAVEMENT, 12"
- ⑰ PROPOSED PAVEMENT FABRIC
- ⑱ PROPOSED AGGREGATE BASE COURSE, TYPE B, 8"
- ⑲ PROPOSED AGGREGATE SHOULDER TYPE B
- ⑳ PROPOSED LIME MODIFIED SOIL 18"

• SEE CROSS SECTIONS

FILE NAME	USER NAME = paul	DESIGNED - JWS	REVISED - 08-02-10	STATE OF ILLINOIS DEPARTMENT OF TRANSPORTATION	PROPOSED TYPICAL SECTIONS - FAYETTE AVE, RAMP A	F.A.I. RTE.	SECTION	COUNTY	TOTAL SHEETS	SHEET NO.
PLOT SCABD0000 / IN.	CHECKED - BRM	REVISED -	57/70			(25-3)I-6	EFFINGHAM	839	25	
PLOT DATE = 8/2/2010	DATE - 11-05-07	REVISED -	CONTRACT NO. 74293							
			SCALE: 1"=50'			SHEET NO. 1 OF 4 SHEETS	STA. TO STA.	FED. ROAD DIST. NO. ILLINOIS FED. AID PROJECT		