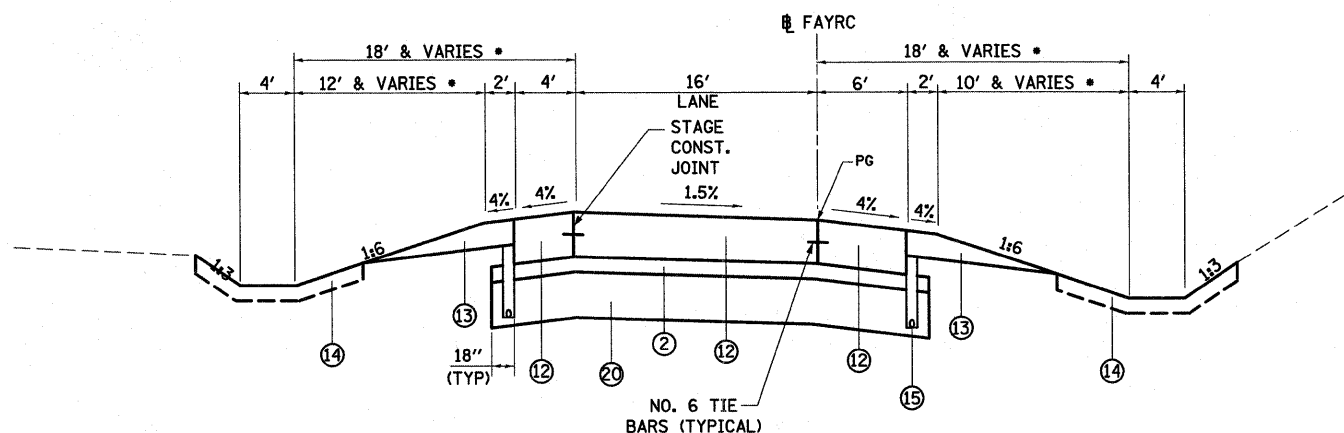


**PROPOSED SUPERELEVATED SECTION**

STA 11+00.00 TO STA 14+90.68  
STA 15+85.00 TO STA 19+72.08 (REVERSED)

•• PROPOSED LIME MODIFIED SOIL BEGINS AT STA 12+00.00 AND ENDS STA 18+00.00

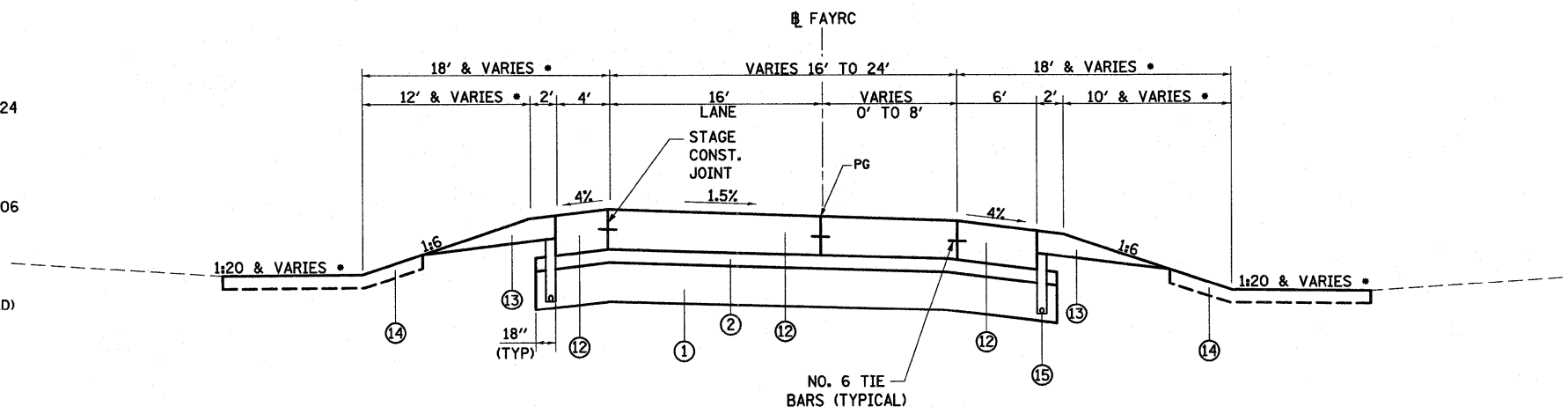


**PROPOSED TANGENT SECTION**

STA 14+90.68 TO STA 15+42.71

**LEGEND**

- ① PROPOSED LIME MODIFIED SOIL 12"
- ② PROPOSED STABILIZED SUB-BASE 4" (BAM)
- ③ PROPOSED PORTLAND CEMENT CONCRETE PAVEMENT 10" (JOINTED)
- ④ PROPOSED COMBINATION CONCRETE CURB AND GUTTER, TYPE B-6.24
- ⑤ PROPOSED PORTLAND CEMENT CONCRETE SIDEWALK 4"
- ⑥ PROPOSED CONCRETE MEDIAN SURFACE, 4"
- ⑦ PROPOSED CORRUGATED MEDIAN
- ⑧ PROPOSED COMBINATION CONCRETE CURB AND GUTTER, TYPE B-6.06
- ⑨ PROPOSED BRIDGE APPROACH SLAB (SEE STRUCTURE PLANS)
- ⑩ PROPOSED SUB-BASE GRANULAR MATERIAL, TYPE C
- ⑪ PROPOSED CONCRETE MEDIAN, TYPE SB (DOWELLED)
- ⑫ PROPOSED PORTLAND CEMENT CONCRETE PAVEMENT 10 1/2" (JOINTED)
- ⑬ PROPOSED AGGREGATE SHOULDERS, TYPE B 6"
- ⑭ PROPOSED TOPSOIL 4"
- ⑮ PROPOSED PIPE UNDERDRAINS 4"
- ⑯ PROPOSED PORTLAND CEMENT CONCRETE PAVEMENT, 12"
- ⑰ PROPOSED PAVEMENT FABRIC
- ⑱ PROPOSED AGGREGATE BASE COURSE, TYPE B, 8"
- ⑲ PROPOSED AGGREGATE SHOULDER TYPE B
- ⑳ PROPOSED LIME MODIFIED SOIL 18"



**PROPOSED TANGENT SECTION**

STA 19+72.08 TO STA 20+95.90

**PROPOSED FAYETTE AVE. RAMP C**

• SEE CROSS SECTIONS

FILE NAME =	USER NAME = paul	DESIGNED - JWS	REVISED - 08-02-10	<b>STATE OF ILLINOIS DEPARTMENT OF TRANSPORTATION</b>	<b>PROPOSED TYPICAL SECTIONS - FAYETTE AVE, RAMP C</b>			F.A.T. RTE.	SECTION	COUNTY	TOTAL SHEETS	SHEET NO.	
S:\Projects\403-00072.51-70\dm\fyette\typical\ps.dgn		DRAWN - PDB	REVISED -					57/70	(25-3)I-6	EFFINGHAM	839	27	
		CHECKED - BRM	REVISED -					SCALE: 1"=50'			SHEET NO. 3 OF 4 SHEETS STA. TO STA.		
		DATE - 11-05-07	REVISED -					FED. ROAD DIST. NO. ILLINOIS FED. AID PROJECT <b>CONTRACT NO. 74293</b>					