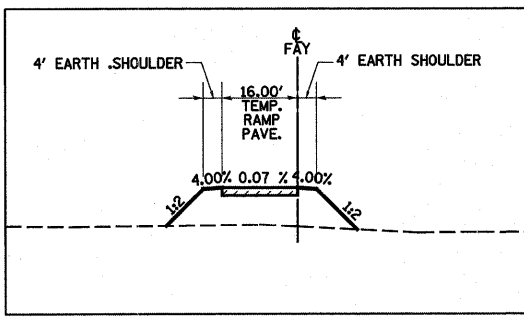
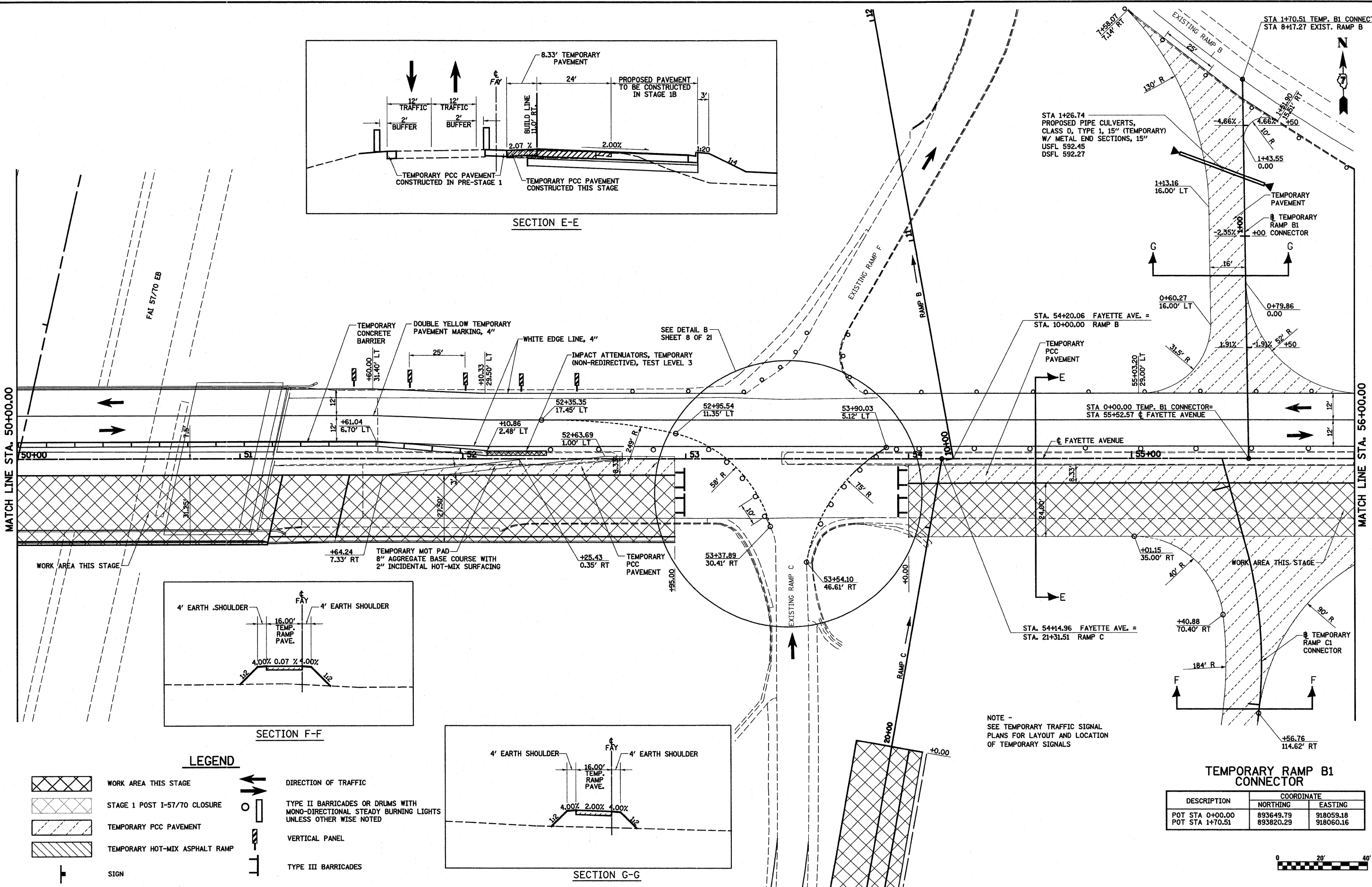
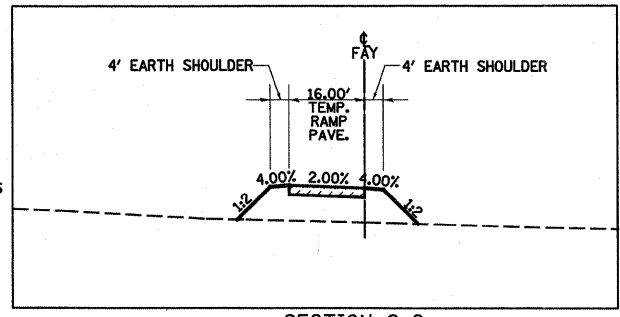


SECTION E-E



SECTION F-F



SECTION G-G

LEGEND

- WORK AREA THIS STAGE
- STAGE 1 POST I-57/70 CLOSURE
- TEMPORARY PCC PAVEMENT
- TEMPORARY HOT-MIX ASPHALT RAMP
- DIRECTION OF TRAFFIC
- TYPE II BARRICADES OR DRUMS WITH MONO-DIRECTIONAL STEADY BURNING LIGHTS UNLESS OTHERWISE NOTED
- VERTICAL PANEL
- TYPE III BARRICADES
- SIGN

NOTE -
SEE TEMPORARY TRAFFIC SIGNAL
PLANS FOR LAYOUT AND LOCATION
OF TEMPORARY SIGNALS

**TEMPORARY RAMP B1
CONNECTOR**

DESCRIPTION	COORDINATE	
	NORTHING	EASTING
POT STA 0+00.00	893649.79	918059.18
POT STA 1+70.51	893820.29	918060.16

