



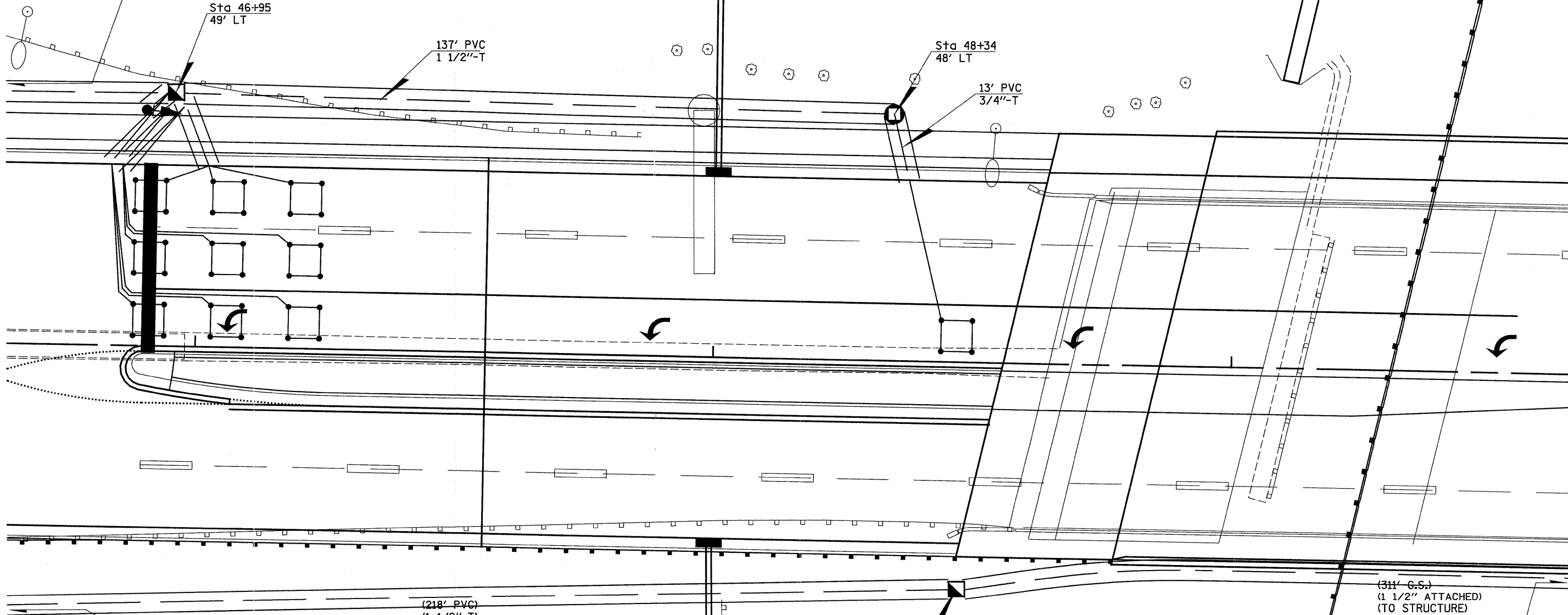
See Sheet 1 of 3  
"Fayette Avenue Interchange  
Ramps A & D Signal Layout"

Sta 46+95  
49' LT

137' PVC  
1 1/2"-T

Sta 48+34  
48' LT

13' PVC  
3/4"-T



See Sheet 1 of 3  
"Fayette Avenue Interchange  
Ramps A & D Signal Layout"

(218' PVC)  
(1 1/2"-T)  
(From previous sheet)

INSTALL FIBER OPTIC INTERCONNECT FROM RAMPS A & D OF FAYETTE AVENUE INTERCHANGE TO RAMPS B & C OF FAYETTE AVENUE INTERCHANGE TO ILLINI DRIVE TO RANEY STREET TO COMPLETE THE CIRCUIT.

Sta 48+48  
44' RT

(311' G.S.)  
(1 1/2" ATTACHED)  
(TO STRUCTURE)

See Sheet 1 of 3  
"Fayette Avenue Interchange  
Ramps B & C Signal Layout"

FILE NAME = #FILEL#	USER NAME = paul	DESIGNED -	REVISED -	STATE OF ILLINOIS DEPARTMENT OF TRANSPORTATION	FAYETTE AVENUE INTERCHANGE-RAMPS A & D SIGNAL LAYOUT		F.A.I. RTE.	SECTION	COUNTY	TOTAL SHEETS	SHEET NO.
	PLOT SCALE = 200.0000' / IN.	DRAWN -	REVISED -		SCALE: 1"=10'	SHEET NO. 2 OF 3 SHEETS	STA.	TO STA.	(25-3)I-6 & (25-3)B-2)B	EFFINGHAM	839
PLOT DATE = 6/24/2010	DATE -	REVISOR -	REVISOR -							CONTRACT NO. 74293	
										ILLINOIS FED. AID PROJECT	