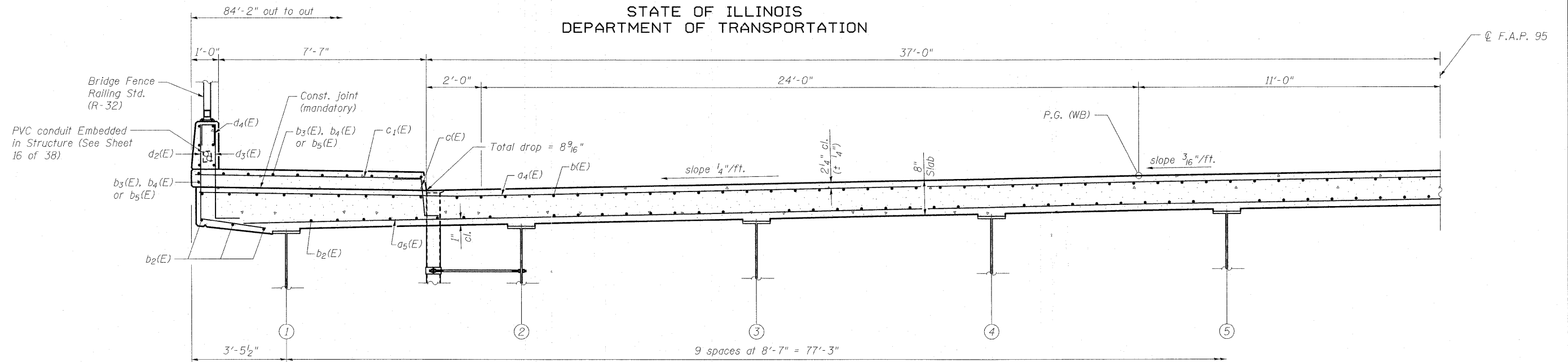
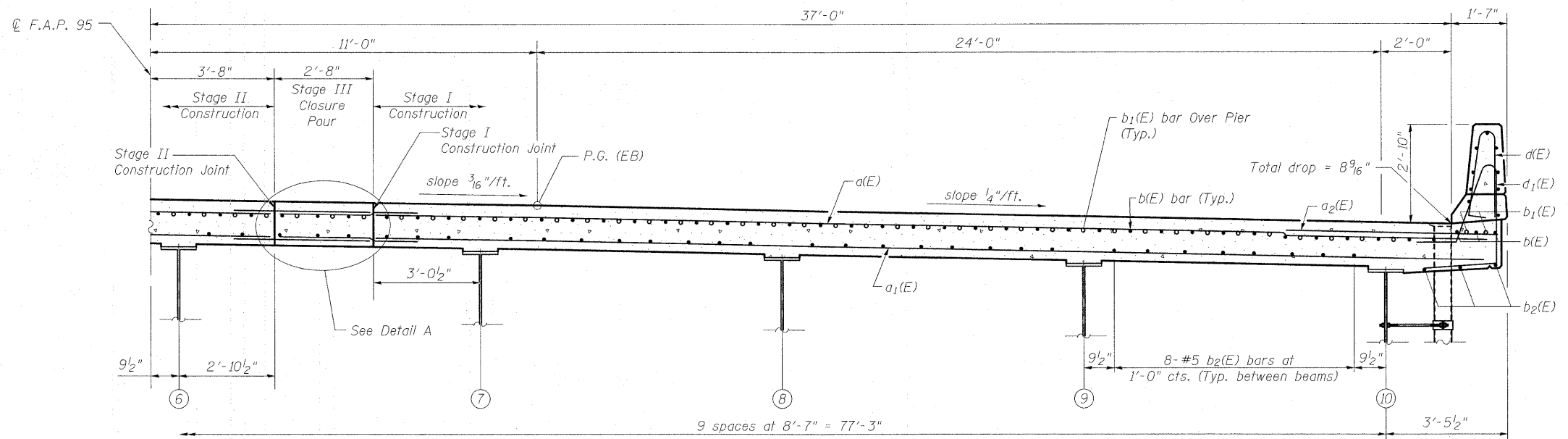


STATE OF ILLINOIS
DEPARTMENT OF TRANSPORTATION

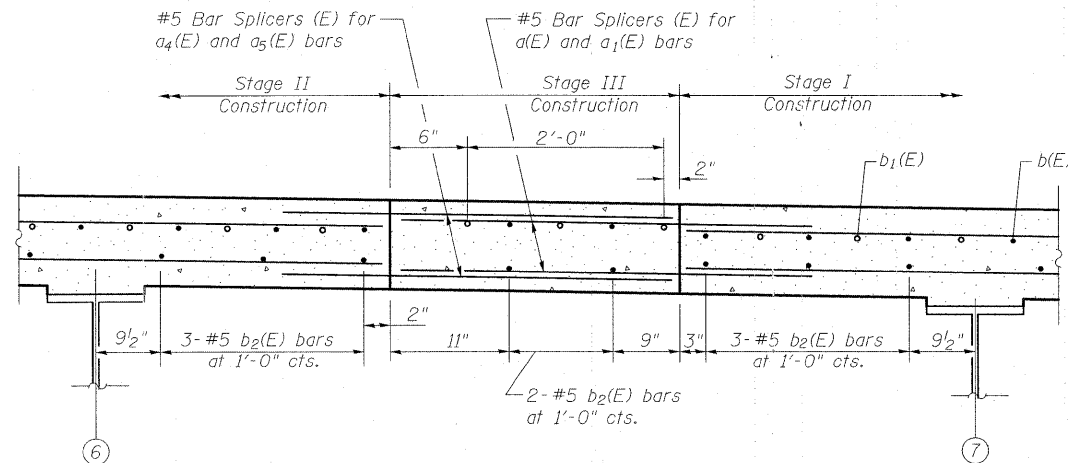


NEAR MIDSPAN

Notes:
Superimposed Median not shown for clarity. See Sheet 16 of 38 for Details.
See Sheet 16 of 38 for Section thru Parpet.
See Sheet 16 of 38 for Section thru Sidewalk.



NEAR PIER
CROSS SECTION
(Looking East)



DETAIL A

DESIGNED	A.C.S.
CHECKED	B.B.
DRAWN	W.J.S.
CHECKED	C.J.F.



**BERNARDIN
LOCHMUELLER &
ASSOCIATES, INC.**

3 Oak Drive
Maryville, IL 62452-5655
Local 618-338-4665
Fax 618-298-4666

SHEET NO. 15 38 SHEETS	F.A.I. RTE. 57/70	SECTION (25-3HB-2)B	COUNTY EFFINGHAM	TOTAL SHEETS 839	SHEET NO. 344
	SN 025-0106		CONTRACT NO. 74293		
FED. ROAD DIST. NO. 7 ILLINOIS FED. AID PROJECT					

**SUPERSTRUCTURE
STRUCTURE NO. 025-0106**