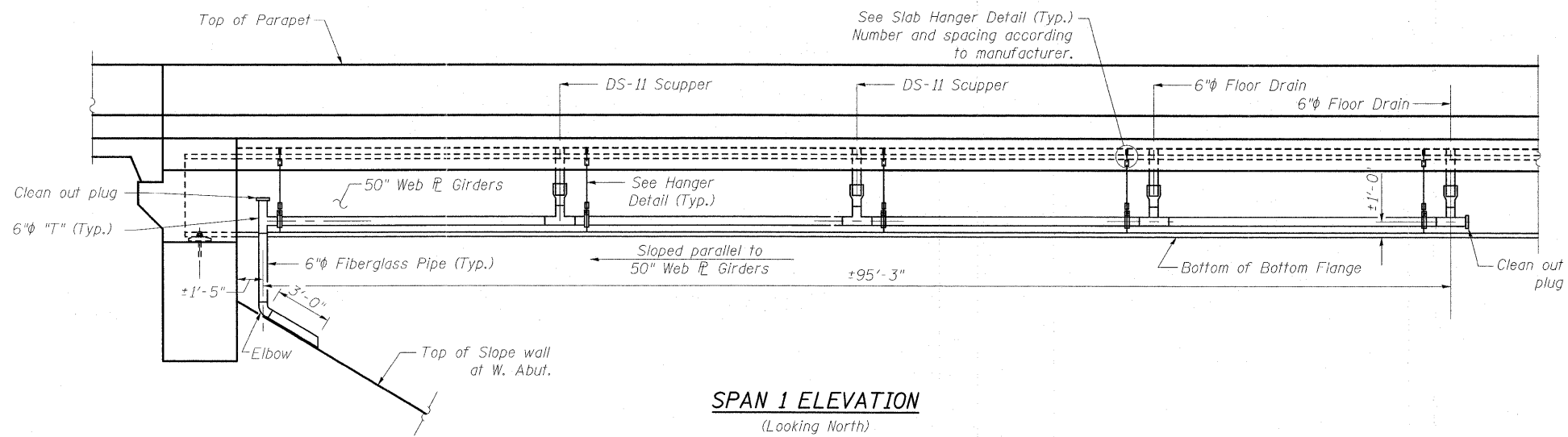
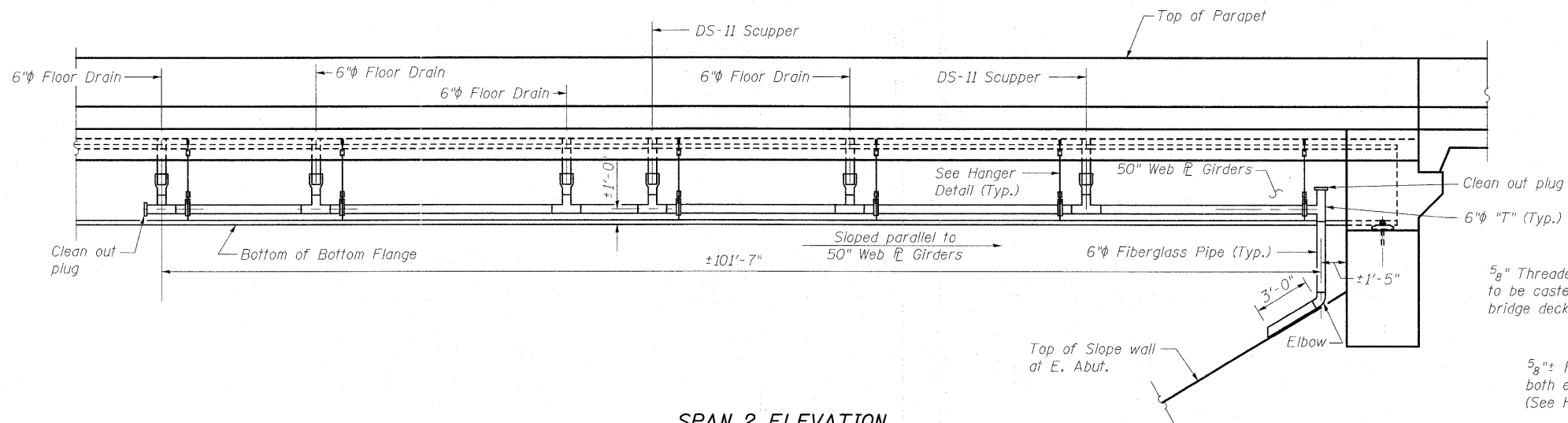


STATE OF ILLINOIS
DEPARTMENT OF TRANSPORTATION



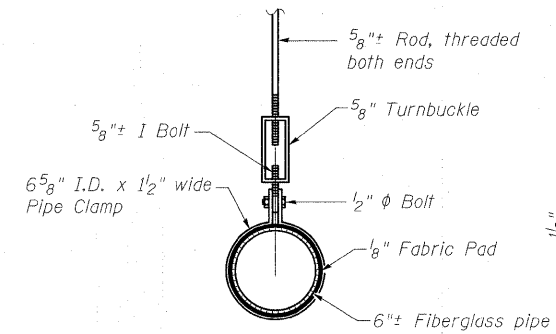
SPAN 1 ELEVATION

(Looking North)
(Showing South Drainage System)
(North System similar)

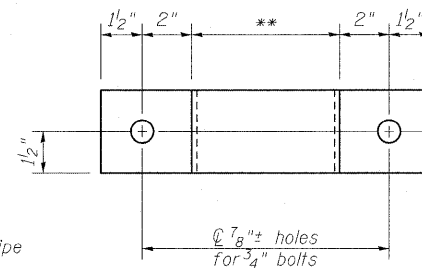


SPAN 2 ELEVATION

(Looking North)
(Showing South Drainage System)
(North System similar)

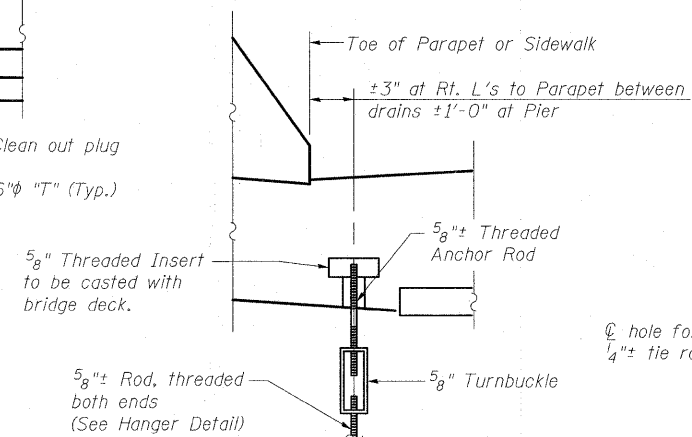


HANGER DETAIL

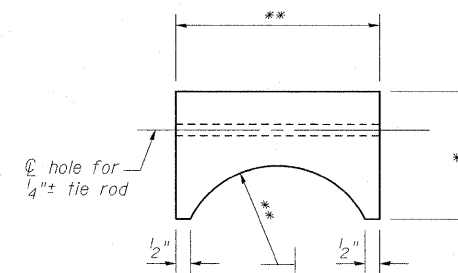


3/8" x 3" STRAP DETAIL

* Dimension as required by the pipe strap.
** Dimension as required by the pipe.



SLAB HANGER DETAIL



RUBBER SHIM DETAIL

Note:
See Sheet 1 of 38 for Floor drain & Scupper spacing.
See Sheet 22 of 38 for Slab Hanger Detail

DESIGNED	A.C.S.
CHECKED	B.B.
DRAWN	W.J.S.
CHECKED	C.J.F.



**BERNARDIN
LOCHMUELLER &
ASSOCIATES, INC.**

3 Oak Drive
Mareville, IL 62662-5635
Local (618) 298-4665
Fax (618) 298-4666

SHEET NO. 21 38 SHEETS	F.A.I. RTE.	SECTION	COUNTY	TOTAL SHEETS	SHEET NO.
	57/70	(25-3HB-2)B	EFFINGHAM	839	350
SN 025-0106			CONTRACT NO. 74293		
FED. ROAD DIST. NO. 7 ILLINOIS FED. AID PROJECT					

**DRAINAGE SYSTEM
STRUCTURE NO. 025-0106**