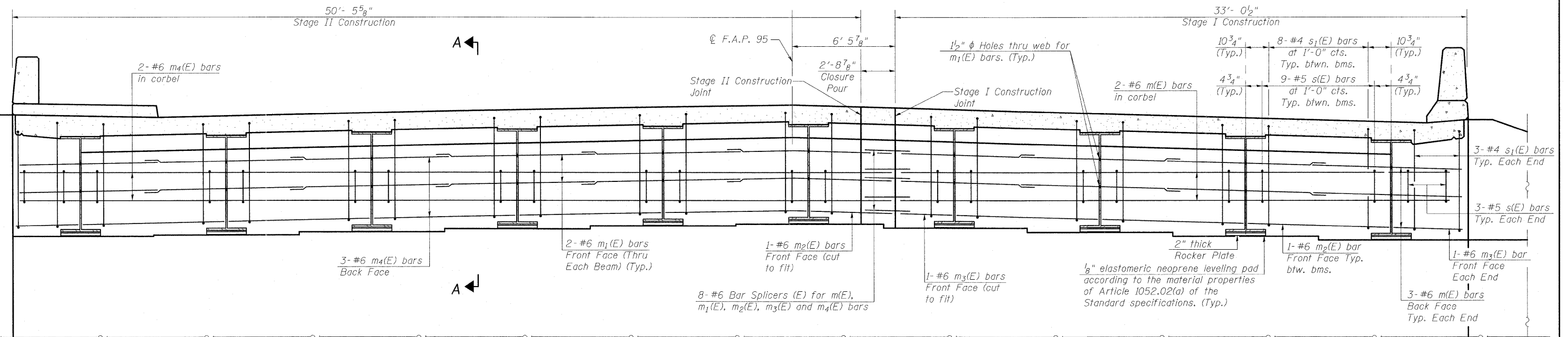
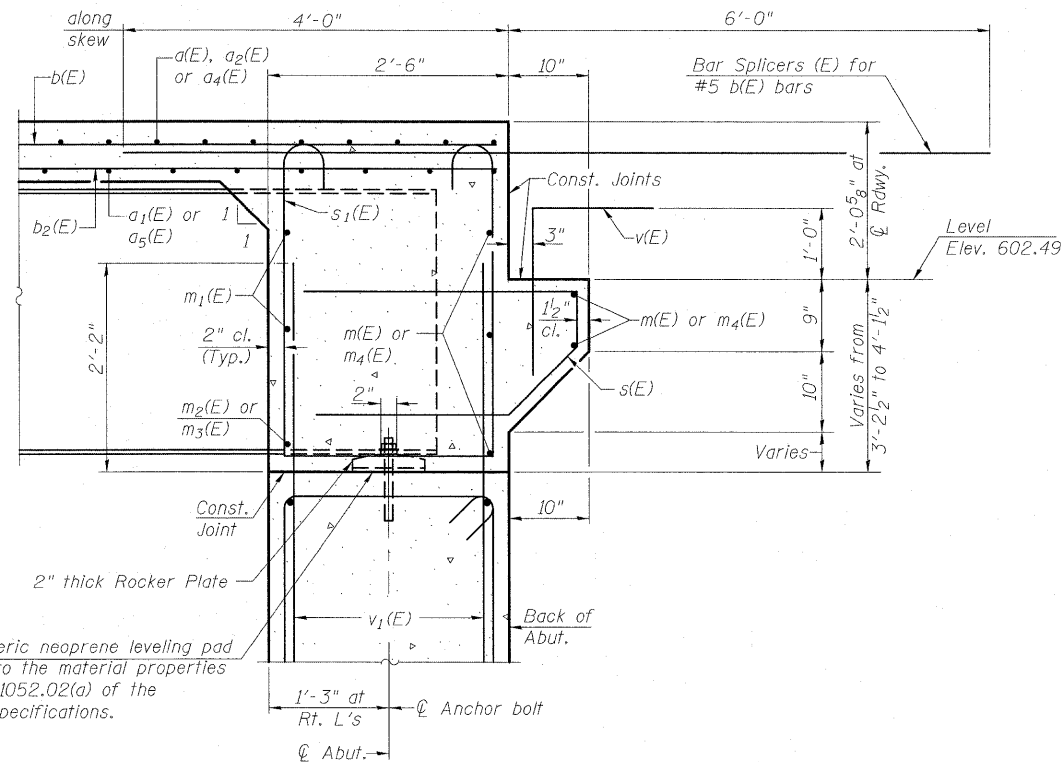


STATE OF ILLINOIS
DEPARTMENT OF TRANSPORTATION



DIAPHRAGM ELEVATION AT ABUTMENT
(Looking East)



SECTION A-A

Dimensions at right angles to abutment, except as shown.

MIN. BAR LAP
#6 bar = 3'-4"

Notes:
Reinforcement bars in diaphragm are billed with superstructure on sheet 16 of 38.
Concrete in diaphragm is included with Concrete Superstructure on sheet 16 of 38.
For details of bars s(E) & s1(E) see sheet 26 of 38.
The s(E) and s1(E) bars shall be placed parallel to the beams. Spacing for these bars shall be at right angles to the beams.
Superimposed Median not shown for clarity.

**EAST ABUTMENT
DIAPHRAGM DETAILS
STRUCTURE NO. 025-0106**

DESIGNED	A.C.S.
CHECKED	B.B.
DRAWN	W.J.S.
CHECKED	C.J.F.



**BERNARDIN
LOCHMUELLER &
ASSOCIATES, INC.**

3 Oak Drive
Mareville, IL 62452-5655
Local (618) 298-4665
Fax 618-298-4666

SHEET NO. 27 38 SHEETS	F.A.I. RTE.	SECTION	COUNTY	TOTAL SHEETS	SHEET NO.
	57/70	(25-3HB-2)B	EFFINGHAM	839	356
SN 025-0106			CONTRACT NO. 74293		
FED. ROAD DIST. NO. 7 ILLINOIS FED. AID PROJECT					