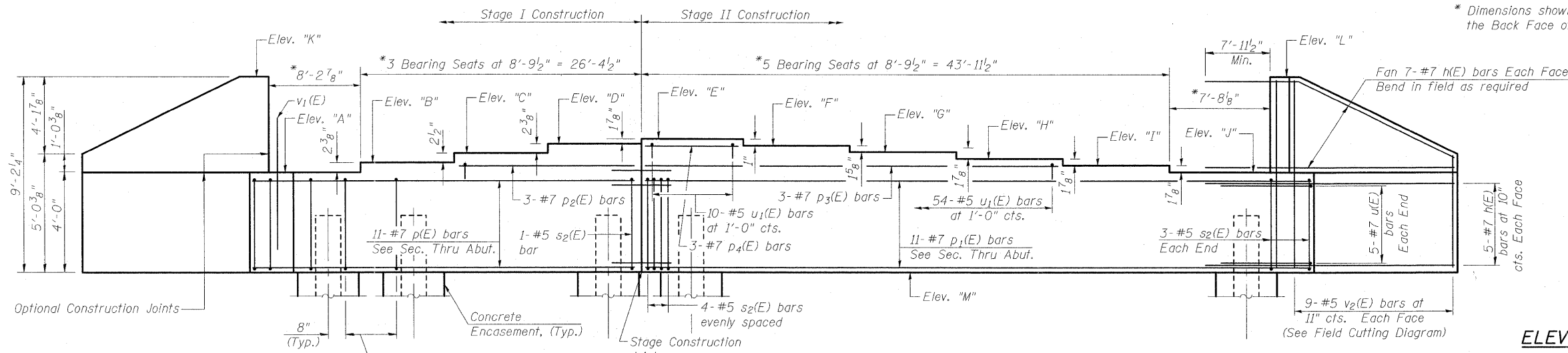


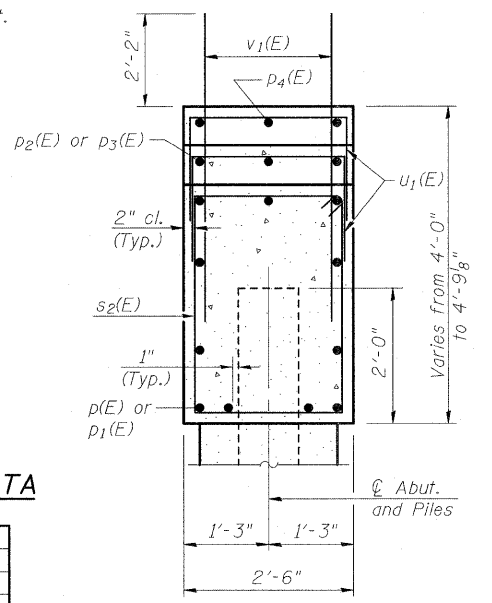
STATE OF ILLINOIS
DEPARTMENT OF TRANSPORTATION



* Dimensions shown are taken at the Back Face of the abutment.

ELEVATION DATA

Elev. A	598.15
Elev. B	598.34
Elev. C	598.55
Elev. D	598.75
Elev. E	598.92
Elev. F	598.83
Elev. G	598.70
Elev. H	598.53
Elev. I	598.39
Elev. J	598.23
Elev. K	603.36
Elev. L	603.58
Elev. M	594.15

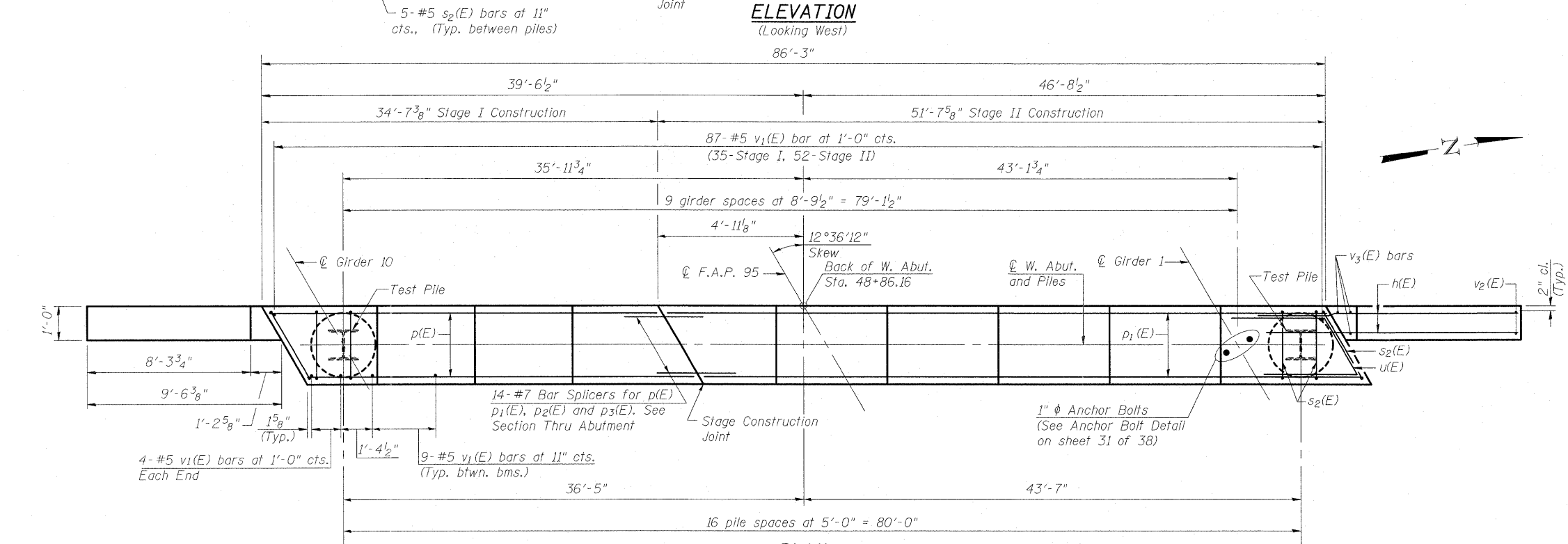


SEC. THRU ABUT.

BILL OF MATERIAL

Bar	No.	Size	Length	Shape
h(E)	48	#7	18'-4"	—
p(E)	11	#7	34'-4"	—
p1(E)	11	#7	51'-4"	—
p2(E)	3	#7	17'-10"	—
p3(E)	3	#7	34'-10"	—
p4(E)	3	#7	8'-6"	—
s2(E)	89	#5	12'-7"	□
u(E)	8	#7	8'-9"	┌
u1(E)	64	#5	5'-0"	┐
v1(E)	176	#5	4'-4"	—
v2(E)	18	#5	13'-7"	—
v3(E)	6	#5	8'-11"	—
Structure Excavation		Cu. Yd.	318	
Concrete Structures		Cu. Yd.	40.4	
Reinforcement Bars, Epoxy Coated		Pound	6860	
Furnishing Steel Piles, HP 12x63		Foot	525	
Driving Piles		Foot	525	
Test Pile Steel HP 12x63		Each	2	
Concrete Encasement		Cu. Yd.	6	
Pile Shoes		Each	15	
Bar Splicers		Each	14	

For details of Bar Splicers, see sheet 34 of 38.

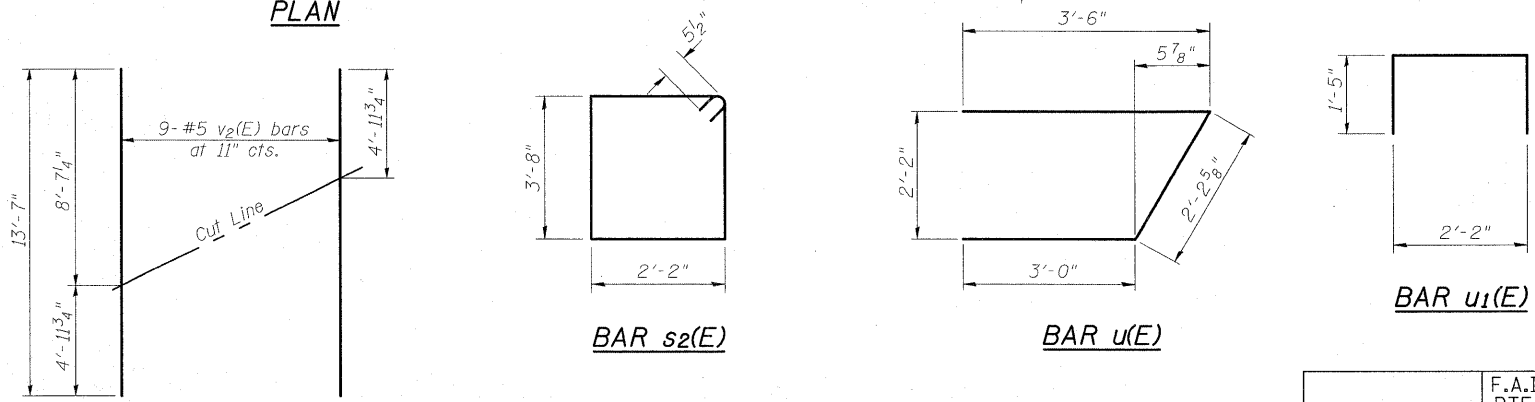


PLAN

PILE DATA

Type: HP 12x63 with Pile Shoes
Nominal Required Bearing: 497 k
Factored Resistance Available: 249 k
Est. Length: 35'-0"
No. Production Piles: 15
No. Test Piles: 2

Notes:
Pour steps monolithically with cap. See sheet 2 of 38 for section thru Integral Abutment showing drainage details.
For detail of piles and concrete Encasements see sheet 33 of 38.
Space reinforcement in cap to miss anchor bolts.
See sheet 31 of 38 for Anchor Bolt Detail.
Order p2(E), p3(E) and p4(E) bars full length and cut to fit.
Stage Construction Joint for Abutment does not align with Stage I or Stage II Construction Joints.



FIELD CUTTING DIAGRAM

Order v2(E) full length. Cut as shown and use remainder of bars in opposite face.

DESIGNED	A.C.S.
CHECKED	B.B.
DRAWN	W.J.S.
CHECKED	C.J.F.

BERNARDIN LOCHMUELLER & ASSOCIATES, INC.
3 Oak Drive
Maryville, IL 62452-5655
Local (618) 338-4955
Fax 618-288-4956

SHEET NO. 30 38 SHEETS	F.A.I. RTE. 57/70	SECTION (25-3HB-2)B	COUNTY EFFINGHAM	TOTAL SHEETS 839	SHEET NO. 359
	SN 025-0106		CONTRACT NO. 74293		
FED. ROAD DIST. NO. 7 ILLINOIS FED. AID PROJECT					

WEST ABUTMENT DETAILS
STRUCTURE NO. 025-0106

0250106-101-01-01-01