

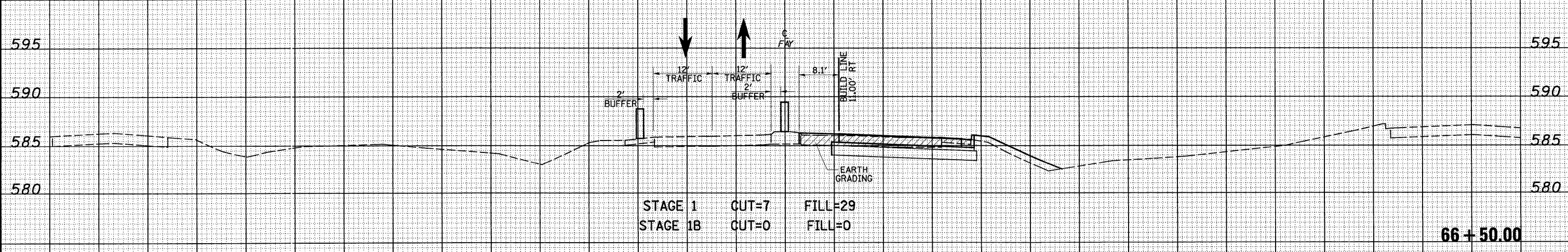
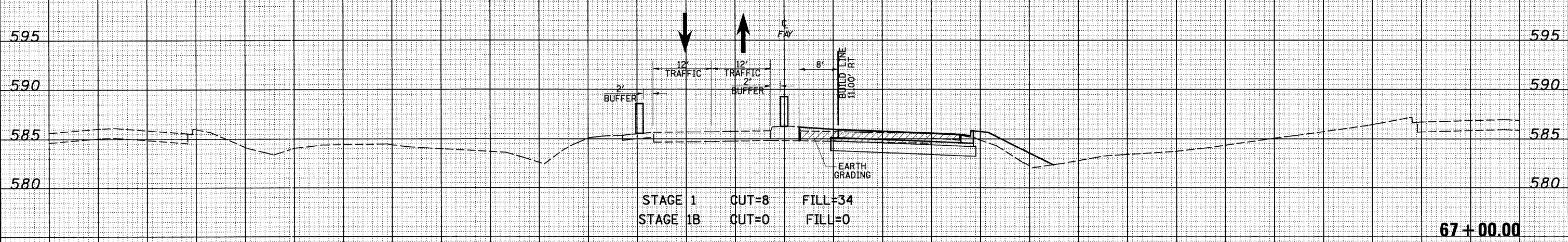
DATE _____
 BY _____
 SURVEYED _____
 PLOTTED _____
 NOTE BOOK _____
 TEMPLATE _____
 AREAS _____
 CHECKED _____
 NO. _____

DATE _____
 BY _____
 ORIGINAL SURVEY _____
 PLOTTED _____
 NOTE BOOK _____
 TEMPLATE _____
 AREAS _____
 CHECKED _____
 NO. _____

150 140 130 120 110 100 90 80 70 60 50 40 30 20 10 0 10 20 30 40 50 60 70 80 90 100 110 120 130 140 150

LEGEND

- TEMPORARY PCC PAVEMENT
- REMOVAL
- MILLING
- TEMPORARY HOT-MIX ASPHALT RAMP



150 140 130 120 110 100 90 80 70 60 50 40 30 20 10 0 10 20 30 40 50 60 70 80 90 100 110 120 130 140 150

FILE NAME = S:\Proj\6651-0001\72-51-70\dyf\Fayette\asst\FM1010.dgn
 USER NAME = lnda

DESIGNED - JWS	REVISED -
DRAWN - ILEC	REVISED -
CHECKED - BRM	REVISED -
DATE - 11-05-07	REVISED -

STATE OF ILLINOIS
 DEPARTMENT OF TRANSPORTATION

MAINTENANCE OF TRAFFIC, FAYETTE AVE. (STAGE 1)
 SCALE: 1"=10'

SHEET NO. 39 OF 52 SHEETS
 STA. 66+50.00 TO STA. 67+00.00

F.A. RTE. 57/70	SECTION (25-3) I-6	COUNTY EFFINGHAM	TOTAL SHEETS 839	SHEET NO. 604
CONTRACT NO. 74293			ILLINOIS FED. AID PROJECT	