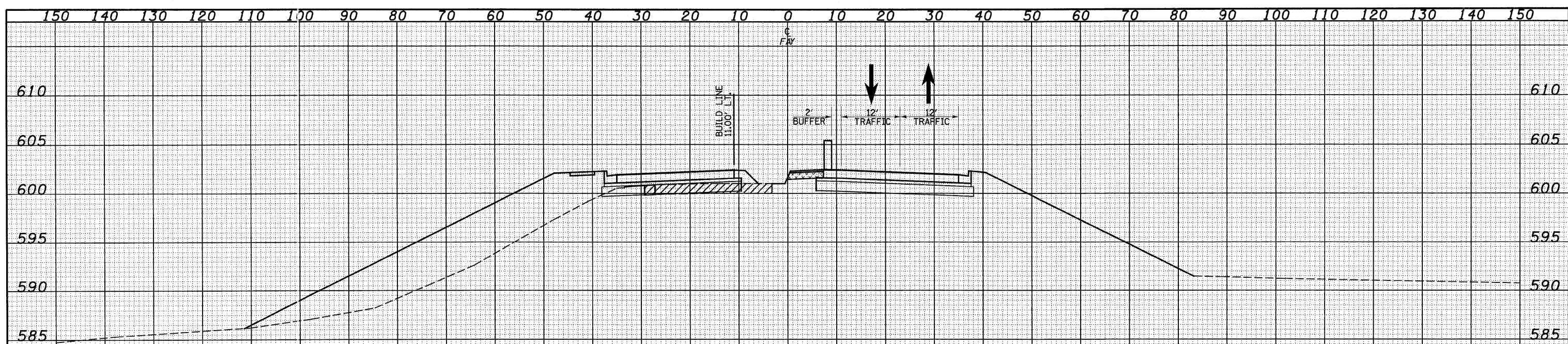






DATE _____
 BY _____
 ORIGINAL SURVEY PLOTTED _____
 NOTE BOOK TEMPLATE _____
 AREAS CHECKED _____
 NO. _____



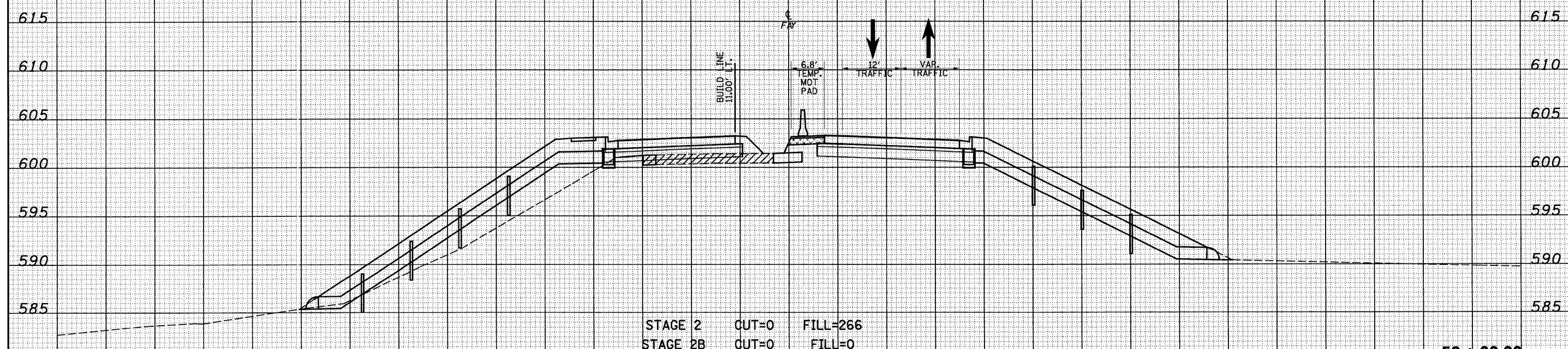
STAGE 2 CUT=0 FILL=294
 STAGE 2B CUT=0 FILL=0

52+50.00

LEGEND

-  - TEMPORARY PCC PAVEMENT
-  - REMOVAL
-  - MILLING
-  - TEMPORARY HOT-MIX ASPHALT RAMP

DATE _____
 BY _____
 ORIGINAL SURVEY PLOTTED _____
 NOTE BOOK TEMPLATE _____
 AREAS CHECKED _____
 NO. _____



STAGE 2 CUT=0 FILL=266
 STAGE 2B CUT=0 FILL=0

52+00.00