

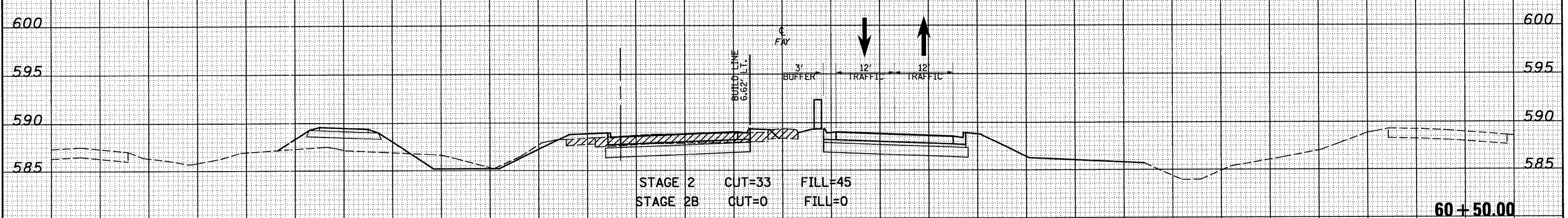
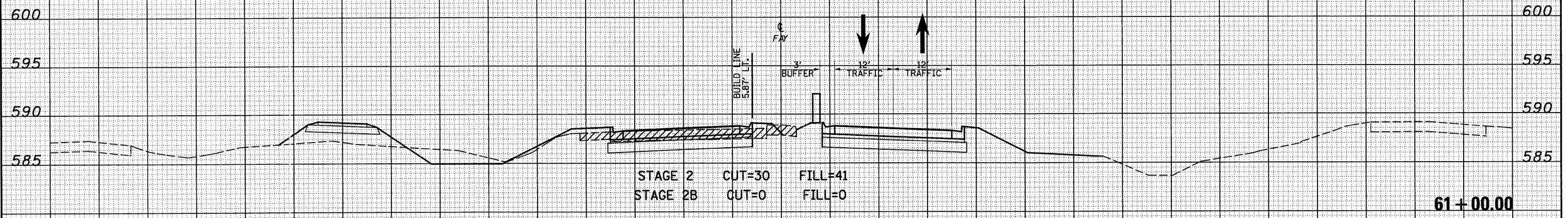
DATE _____
 BY _____
 ORIGINAL SURVEY _____
 SURVEY PLOTTED _____
 NOTE BOOK _____
 TEMPLATE _____
 AREAS CHECKED _____
 NO. _____

DATE _____
 BY _____
 ORIGINAL SURVEY _____
 SURVEY PLOTTED _____
 NOTE BOOK _____
 TEMPLATE _____
 AREAS CHECKED _____
 NO. _____

150 140 130 120 110 100 90 80 70 60 50 40 30 20 10 0 10 20 30 40 50 60 70 80 90 100 110 120 130 140 150

LEGEND

- TEMPORARY PCC PAVEMENT
- REMOVAL
- MILLING
- TEMPORARY HOT-MIX ASPHALT RAMP



150 140 130 120 110 100 90 80 70 60 50 40 30 20 10 0 10 20 30 40 50 60 70 80 90 100 110 120 130 140 150

FILE NAME = S:\Projects\183-00072-51-70.dwg
 USER NAME = lnda
 DESIGNED - JWS
 DRAWN - LEC
 CHECKED - BRM
 DATE - 11-05-07
 PLOT SCALE = 20,00000' / IN.
 PLOT DATE = 6/24/2010

DESIGNED - JWS
 DRAWN - LEC
 CHECKED - BRM
 DATE - 11-05-07

REVISED -
 REVISED -
 REVISED -
 REVISED -

**STATE OF ILLINOIS
 DEPARTMENT OF TRANSPORTATION**

MAINTENANCE OF TRAFFIC, FAYETTE AVE. (STAGE 2)
 SCALE: 1"=10'
 SHEET NO. 34 OF 52 SHEETS
 STA. 60+50.00 TO STA. 61+00.00

F.A. RTE.	SECTION	COUNTY	TOTAL SHEETS	SHEET NO.
57/70	(25-3) I-6	EFFINGHAM	839	652
FED. ROAD DIST. NO. ILLINOIS FED. AID PROJECT			CONTRACT NO. 74293	