

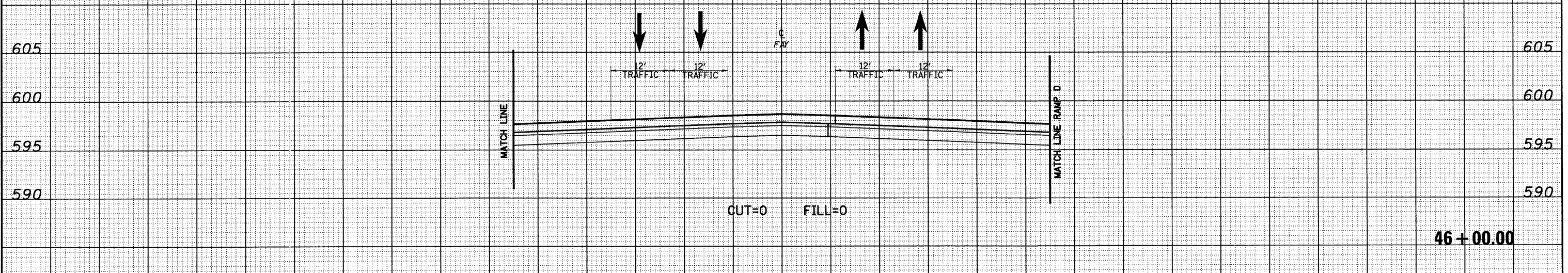
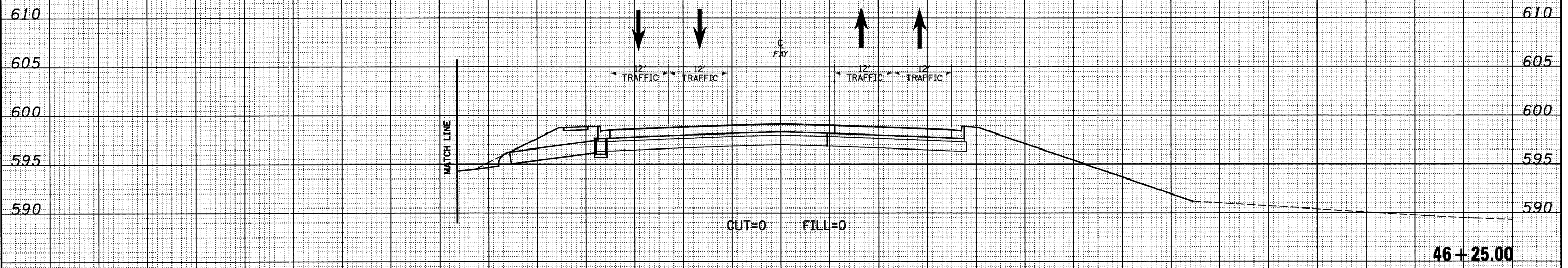
DATE _____
 BY _____
 ORIGINAL SURVEY _____
 SURVEY PLOTTED _____
 NOTE BOOK _____
 TEMPLATE AREAS CHECKED _____
 NO. _____

DATE _____
 BY _____
 ORIGINAL SURVEY _____
 SURVEY PLOTTED _____
 NOTE BOOK _____
 TEMPLATE AREAS CHECKED _____
 NO. _____

150 140 130 120 110 100 90 80 70 60 50 40 30 20 10 0 10 20 30 40 50 60 70 80 90 100 110 120 130 140 150

LEGEND

- TEMPORARY PCC PAVEMENT
- REMOVAL
- MILLING
- TEMPORARY HOT-MIX ASPHALT RAMP



150 140 130 120 110 100 90 80 70 60 50 40 30 20 10 0 10 20 30 40 50 60 70 80 90 100 110 120 130 140 150

FILE NAME =
 PROJECT: 43-0072-97-70.dgn
 PLOT SCALE = 20,00000 ' / IN.
 PLOT DATE = 6/25/2010

USER NAME = Linda
 DESIGNED - JWS
 DRAWN - LEC
 CHECKED - BRM
 DATE - 11-05-07

REVISED -
 REVISED -
 REVISED -
 REVISED -

**STATE OF ILLINOIS
 DEPARTMENT OF TRANSPORTATION**

MAINTENANCE OF TRAFFIC, FAYETTE AVE. (STAGE 3)

SCALE: 1"=10' SHEET NO. 18 OF 58 SHEETS STA. 46+00.00 TO STA. 46+25.00

F.A. RTE. 57/70	SECTION (25-3) I-6	COUNTY EFFINGHAM	TOTAL SHEETS 839	SHEET NO. 682
CONTRACT NO. 74293			ILLINOIS FED. AID PROJECT	