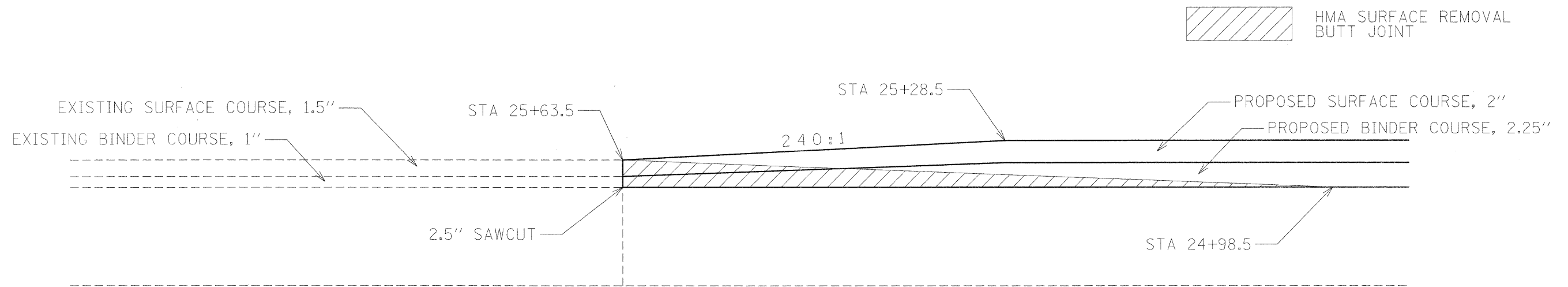


RAMP A BUTT JOINT DETAIL



RAMP B BUTT JOINT DETAIL

FILE NAME =	USER NAME = conoverpj	DESIGNED -	REVISED -	STATE OF ILLINOIS DEPARTMENT OF TRANSPORTATION	PAVING DETAILS			F.A.I. RTE.	SECTION	COUNTY	TOTAL SHEETS	SHEET NO.
c:\pwork\pwork\conoverpj\d0128605\d0128605-sht-plan.dgn	6601-sht-plan.dgn	DRAWN -	REVISED -		55	60-3RS-1, 60-(3HB, 3HB-1)	MADISON	123	75			
PLOT SCALE = 50.0000' / IN.		CHECKED -	REVISED -		CONTRACT NO. 76601							
PLOT DATE = 6/23/2010		DATE -	REVISED -		FED. ROAD DIST. NO. ILLINOIS FED. AID PROJECT							
				SCALE: _____	SHEET NO. 2 OF 6 SHEETS	STA. _____	TO STA. _____					