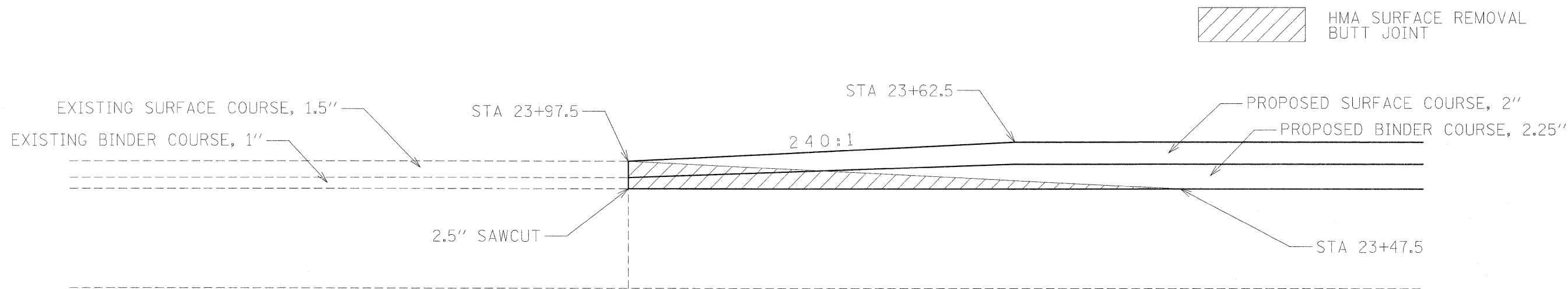


RAMP C BUTT JOINT DETAIL



RAMP D BUTT JOINT DETAIL

FILE NAME =	USER NAME = conoverpj	DESIGNED -	REVISED -	STATE OF ILLINOIS DEPARTMENT OF TRANSPORTATION	PAVING DETAILS			F.A.I. RTE.	SECTION	COUNTY	TOTAL SHEETS	SHEET NO.
ca:\pwork\pwork\conoverpj\d0128605\d876601-sht-plan.dgn	PLOT SCALE = 50.0000' / IN.	DRAWN -	REVISED -					55	60-3RS-1, 60-13HB, 3HB-11I	MADISON	123	76
PLOT DATE = 6/23/2010	DATE -	CHECKED -	REVISED -		CONTRACT NO. 76601			FED. ROAD DIST. NO. - [ILLINOIS] FED. AID PROJECT				
					SCALE: _____	SHEET NO. 3 OF 6 SHEETS	STA. _____ TO STA. _____					