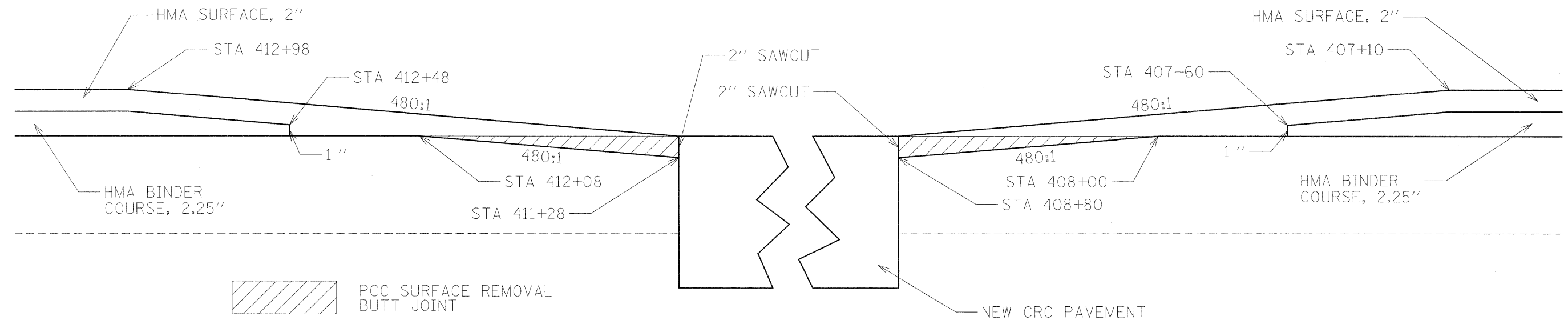


I-55 SOUTHBOUND UNDER NEW DOUGLAS ROAD BUTT JOINT DETAIL  
 \*16.0' MINIMUM CLEARANCE UNDER SN# 060-0198\*



I-55 SOUTHBOUND UNDER ALHAMBRA ROAD BUTT JOINT DETAIL  
 \*16.0' MINIMUM CLEARANCE UNDER SN# 060-0195\*

FILE NAME =	USER NAME = conoverpj	DESIGNED -	REVISED -	<b>STATE OF ILLINOIS DEPARTMENT OF TRANSPORTATION</b>	<b>PAVING DETAILS</b>	F.A.I. RTE.	SECTION	COUNTY	TOTAL SHEETS	SHEET NO.	
c:\pwork\pwork\conoverpj\d0128605\d8	6601-shr-plan.dgn	DRAWN -	REVISED -			55	60-3RS-1, 60-(3HB, 3HB-1)	MADISON	123	77	
	PLOT SCALE = 50,0000' / IN.	CHECKED -	REVISED -			CONTRACT NO. 76601					
	PLOT DATE = 6/23/2010	DATE -	REVISED -			FED. ROAD DIST. NO. - [ILLINOIS] FED. AID PROJECT					
SCALE: _____ SHEET NO. 4 OF 6 SHEETS						STA. _____ TO STA. _____					